

INTERCONNECTS

SERIES 800 & 801 • .100" GRID (.030" DIA. PINS), SOLDERLESS PRESS-FIT • SINGLE ROW STRIPS

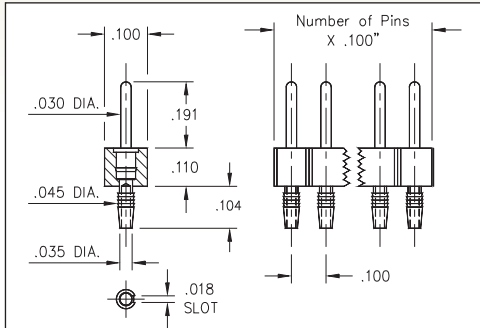


FIG. 1

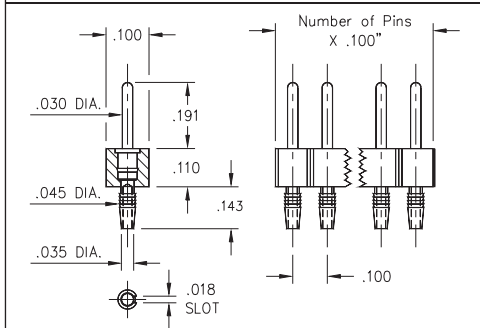


FIG. 2

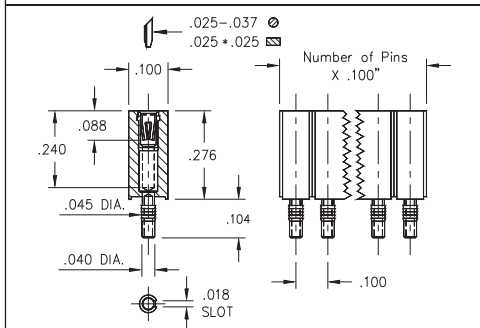


FIG. 3

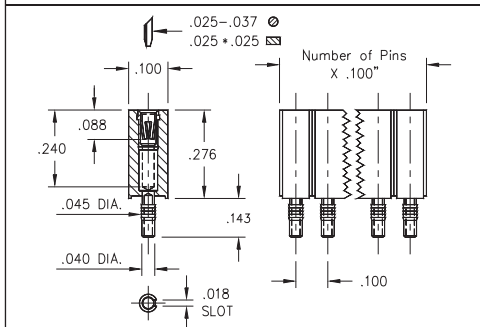
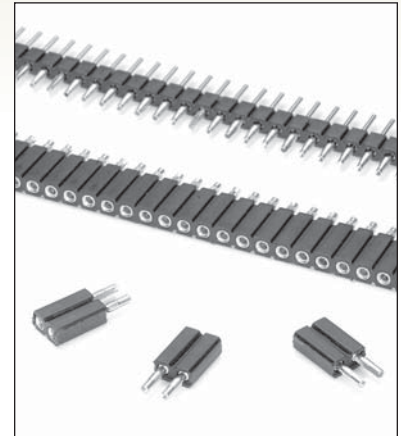


FIG. 4

- The unique compliant tail pins conform to $.040 \pm .003$ finished hole without stressing inner layers. Patent No. 4,799,904
- Headers and sockets are available for board thicknesses of $.060$ - $.100$ and $.090$ - $.130$ ". See ordering information for details
- Series 800 pin headers use MM #5601 and #5602 compliant tail pins featuring a $.030$ " dia. mating lead. See page 220 for details
- Series 801 sockets MM #4614 or #4615 use Hi-Rel, 6-finger BeCu #47 contact rated at 4.5 amps. Receptacles accept $.030$ " diameter pins & $.025$ " square pins. See pg. 256 for details
- Insulators are high temperature thermoplastic



ORDERING INFORMATION

| | | | | | |
|---|---|-------------|-----------------|-------------|--|
| FIG. 1 | Compliant Tail Pin Header for .060" - .100" Thick Boards | | | | |
| | 800-XX-0__-61-001000 Specify number of pins 01-64 | | | | |
| FIG. 2 | Compliant Tail Pin Header for .090" - .130" Thick Boards | | | | |
| | 800-XX-0__-62-001000 Specify number of pins 01-64 | | | | |
| XX=Plating Code See Below For Electrical, Mechanical & Environmental Data, See page 264 | | | | | |
| SPECIFY PLATING CODE XX= | | | | | |
| Pin Plating | | 10 μ Au | 200 μ Sn/Pb | 40 μ Sn | |

| | | | | | | |
|---|---|-----------------|-----------------|-----------------|-------------|-------------|
| FIG. 3 | Compliant Tail Socket for .060" - .100" Thick Boards | | | | | |
| | 801-XX-0__-61-001000 Specify number of pins 01-50 | | | | | |
| FIG. 4 | Compliant Tail Socket for .090" - .130" Thick Boards | | | | | |
| | 801-XX-0__-62-001000 Specify number of pins 01-50 | | | | | |
| XX=Plating Code See Below For Electrical, Mechanical & Environmental Data, See page 264 | | | | | | |
| SPECIFY PLATING CODE XX= | | | | | | |
| Sleeve (Pin) | | 200 μ Sn/Pb | 200 μ Sn/Pb | 200 μ Sn/Pb | 41 μ Sn | 43 μ Sn |
| Contact (Clip) | | 10 μ Au | 30 μ Au | 100 μ Sn/Pb | 10 μ Au | 30 μ Au |



X-ON Electronics

Largest Supplier of Electrical and Electronic Components

Click to view similar products for [Headers & Wire Housings](#) category:

Click to view products by [Mill-Max](#) manufacturer:

Other Similar products are found below :

[892-18-020-10-001101](#) [58102-G61-06LF](#) [582553-1](#) [0009485154](#) [009176003701906](#) [0050291907](#) [LY20-4P-DT1-P1E-BR](#) [02.125.8002.8](#)
[609-3404](#) [61062-3](#) [622-0430](#) [622-3653LF](#) [63453-116](#) [636-1030](#) [636-1427](#) [636-3427](#) [636-4007](#) [641938-9](#) [641991-4](#) [644827-2](#) [65817-010LF](#)
[65817-015LF](#) [65863-015LF](#) [66207-023LF](#) [67095-007LF](#) [67601157](#) [68648-049](#) [70.362.1628.0](#) [70-4210](#) [70-4226B](#) [70-4853B](#) [707-5020](#) [707-](#)
[5028](#) [71.350.2428.0](#) [71918-208LF](#) [71961-016LF](#) [733-134](#) [733-162](#) [754199-000](#) [760-3052](#) [787-8014-00](#) [79531-3000](#) [FCN-360C032-B](#) [FCN-](#)
[367T-T012/H](#) [FCN-723D010/2](#) [80.063.4001.1](#) [800-90-001-10-001000](#) [800-90-010-10-002000](#) [801-43-002-10-013000](#) [801-43-006-10-002000](#)