

INTERCONNECTS

SERIES 802 & 803 • 2,54 GRID (0,76 DIA. PINS), SOLDERLESS PRESS-FIT • DOUBLE ROW STRIPS

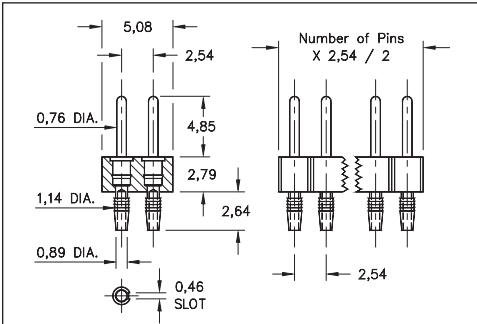


FIG. 1

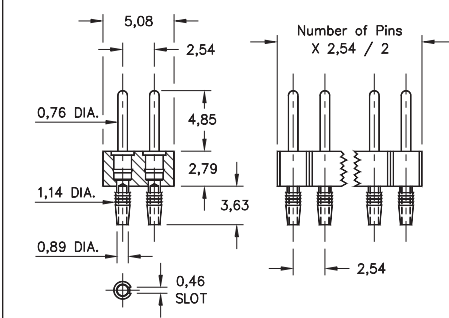


FIG. 2

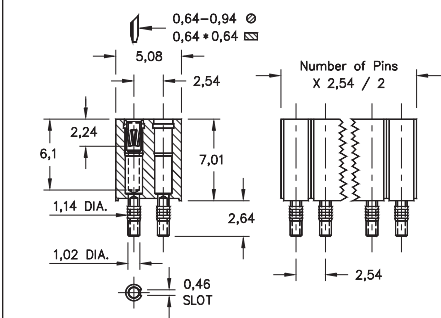


FIG. 3

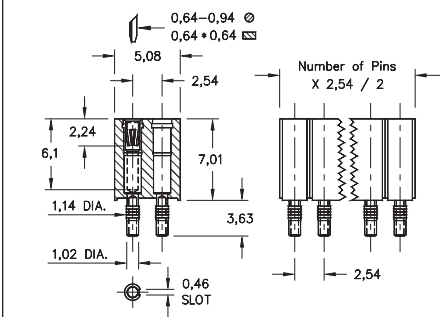
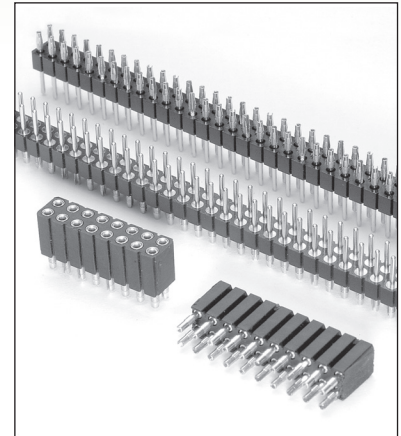


FIG. 4

- The unique compliant tail pins conform to $1,02 \pm 0,76$ finished hole without stressing inner layers. Patent No. 4,799,904
- Headers and sockets are available for board thicknesses of 1,52 - 2,54 and 2,29 - 3,3. See ordering information for details
- Series 802 pin headers use MM #5601 and #5602 compliant tail pins featuring a 0,76 dia. mating lead. See page 220 for details
- Series 803 sockets with MM #4614 or #4615 pins use Hi-Rel, 6-finger BeCu #47 contact rated at 4.5 amps. Receptacles accept 0,76 diameter pins & 0,64 square pins. See pg. 256 for details
- Insulators are high temperature thermoplastic



ORDERING INFORMATION

FIG. 1	Compliant Tail Pin Header for 1,52 - 2,54 Thick Boards				
	802-XX-0__-61-001000 Specify number of pins ↑ 02-64				
FIG. 2	Compliant Tail Pin Header for 2,29 - 3,3 Thick Boards				
	802-XX-0__-62-001000 Specify number of pins ↑ 04-64				
XX=Plating Code See Below For Electrical, Mechanical & Environmental Data, See page 264					
SPECIFY PLATING CODE XX=					
Pin Plating		10	90	40	
		0,25µm Au	5,08µm Sn/Pb	5,08µm Sn	

FIG. 3	Compliant Tail Socket for 1,52 - 2,54 Thick Boards								
	803-XX-__-61-001000 Specify number of pins ↑ 002-100								
FIG. 4	Compliant Tail Socket for 2,29 - 3,3 Thick Boards								
	803-XX-__-62-001000 Specify number of pins ↑ 004-100								
XX=Plating Code See Below For Electrical, Mechanical & Environmental Data, See page 264									
SPECIFY PLATING CODE XX=									
Sleeve (Pin)		11	13	91	93	99	41	43	44
Contact (Clip)		0,25µm Au	0,25µm Au	5,08µm Sn/Pb	5,08µm Sn/Pb	5,08µm Sn/Pb	5,08µm Sn	5,08µm Sn	5,08µm Sn
		0,25µm Au	0,76µm Au	0,25µm Au	0,76µm Au	2,54µm Sn/Pb	0,25µm Au	0,76µm Au	2,54µm Sn



X-ON Electronics

Largest Supplier of Electrical and Electronic Components

Click to view similar products for [Headers & Wire Housings](#) category:

Click to view products by [Mill-Max](#) manufacturer:

Other Similar products are found below :

[892-18-020-10-001101](#) [58102-G61-06LF](#) [582553-1](#) [0009485154](#) [009176003701906](#) [0050291907](#) [LY20-4P-DT1-P1E-BR](#) [02.125.8002.8](#)
[609-3404](#) [61062-3](#) [622-0430](#) [622-3653LF](#) [63453-116](#) [636-1030](#) [636-1427](#) [636-3427](#) [636-4007](#) [641938-9](#) [641991-4](#) [644827-2](#) [65817-010LF](#)
[65817-015LF](#) [65863-015LF](#) [66207-023LF](#) [67095-007LF](#) [67601157](#) [68648-049](#) [70.362.1628.0](#) [70-4210](#) [70-4226B](#) [70-4853B](#) [707-5020](#) [707-](#)
[5028](#) [71.350.2428.0](#) [71918-208LF](#) [71961-016LF](#) [733-134](#) [733-162](#) [754199-000](#) [760-3052](#) [787-8014-00](#) [79531-3000](#) [FCN-360C032-B](#) [FCN-](#)
[367T-T012/H](#) [FCN-723D010/2](#) [80.063.4001.1](#) [800-90-001-10-001000](#) [800-90-010-10-002000](#) [801-43-002-10-013000](#) [801-43-006-10-002000](#)