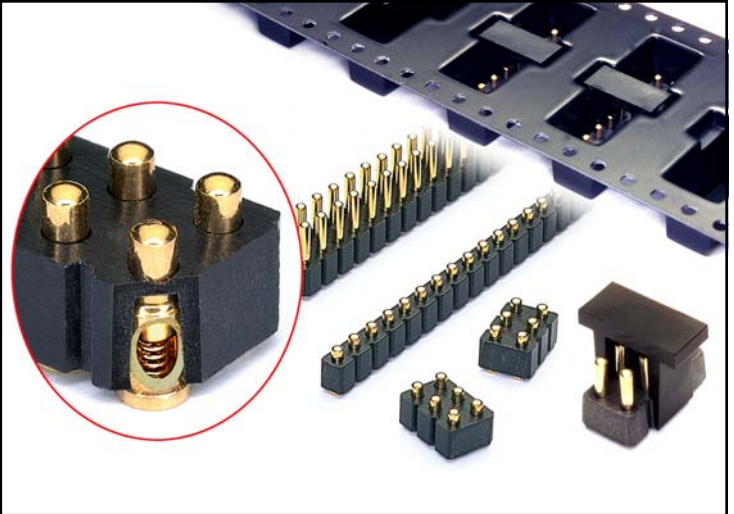
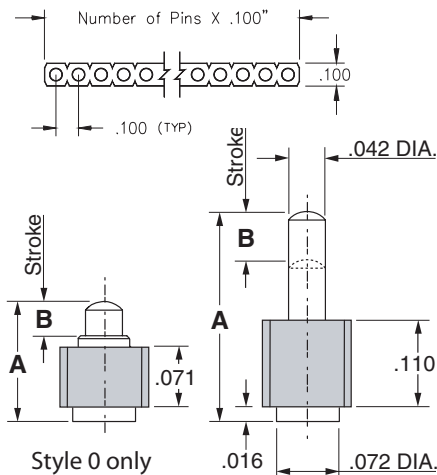


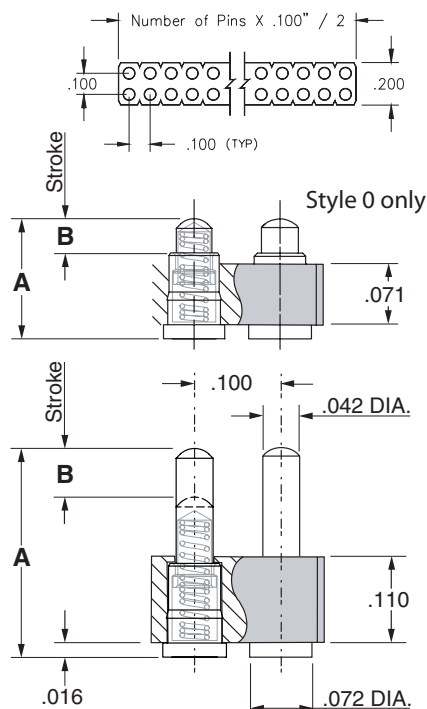
- Modular contacts for use on .100" grid, available in eight heights from .137" to .295", supplied in single and double row contact strips.
- Precision machined piston / base and gold plated components assure a 100,000 min. cycle life.
- Pistons have a long stroke relative to the low profile of the assembly.
- Low resistance, high current contacts are rated at 2 amps continuous, 3 amps peak.
- High temperature thermoplastic insulators are suitable for surface mount processes.
- A typical application would be as the base unit (battery/charger) interface for portable equipment such as mobile phones/radios, bar code readers, medical and test instruments.



SINGLE ROW Series 811



DOUBLE ROW Series 813



Ordering Information

Single Row Series 811

811-22-0XX-30-00X-101

Specify # of contacts

Specify contact style 0-7

01-64

Double Row Series 813

813-22-0XX-30-00X-101

Specify # of contacts

Specify contact style 0-7

04-72

CONTACT STYLE	INITIAL HEIGHT A	STROKE B
0	.137	.039
1	.177	.055
2	.197	.055
3	.217	.055
4	.236	.055
5	.256	.055
6	.276	.055
7	.295	.055

Technical Specifications

Materials:

Contact piston & Base: Machined copper alloy plated 20μ" gold over 100μ" nickel
Spring: Beryllium copper plated 10μ" gold
Insulator: High temp. thermoplastic rated UL94 V-0

Mechanical:

Spring force @ initial height (A): 25 grams
Spring force @ mid stroke (B/2): 60 grams
Spring force @ full stroke (B): 95 grams
Durability: 100,000 cycles min.

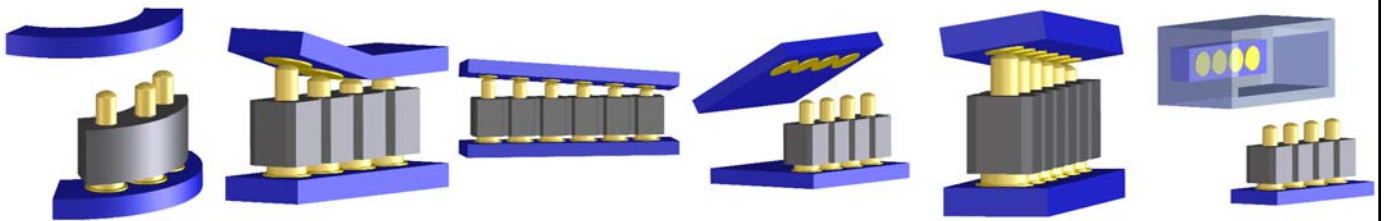
Electrical:

Voltage rating: 100Vrms/150Vdc
Current rating: 2A (continuous), 3A (peak) per contact
Contact resistance: 20mΩ max.
Insulation resistance: 10,000MΩ min.
Dielectric strength: 700Vrms min.
Capacitance: 1pF max.

Ordering Information for Series 811/813 in Carrier Tape

Single Row Series 811	Double Row Series 813
811-22-00X-30-00X-191	813-22-0XX-30-00X-191
Specify # of contacts → 2-8	Specify # of contacts → 04-16
Specify contact style 1-7	Specify contact style 1-7
400 parts per 13" reel	400 parts per 13" reel

The versatility of spring loaded contacts



Some Typical Applications

<p>Cable Termination</p>	<p>Internal Battery Connection</p>
<p>Charging Base for Portable Instruments</p>	<p>PCB Connection</p>

X-ON Electronics

Largest Supplier of Electrical and Electronic Components

Click to view similar products for [Headers & Wire Housings](#) category:

Click to view products by [Mill-Max](#) manufacturer:

Other Similar products are found below :

[892-18-020-10-001101](#) [58102-G61-06LF](#) [582553-1](#) [0009485154](#) [009176003701906](#) [0050291907](#) [LY20-4P-DT1-P1E-BR](#) [02.125.8002.8](#)
[609-3404](#) [61062-3](#) [622-0430](#) [622-3653LF](#) [63453-116](#) [636-1030](#) [636-1427](#) [636-3427](#) [636-4007](#) [641938-9](#) [641991-4](#) [644827-2](#) [65817-010LF](#)
[65817-015LF](#) [65863-015LF](#) [66207-023LF](#) [67095-007LF](#) [67601157](#) [68648-049](#) [70.362.1628.0](#) [70-4210](#) [70-4226B](#) [70-4853B](#) [707-5020](#) [707-5028](#) [71.350.2428.0](#) [71918-208LF](#) [71961-016LF](#) [733-134](#) [733-162](#) [754199-000](#) [760-3052](#) [787-8014-00](#) [79531-3000](#) [FCN-360C032-B](#) [FCN-367T-T012/H](#) [FCN-723D010/2](#) [80.063.4001.1](#) [800-90-001-10-001000](#) [800-90-010-10-002000](#) [801-43-002-10-013000](#) [801-43-006-10-002000](#)