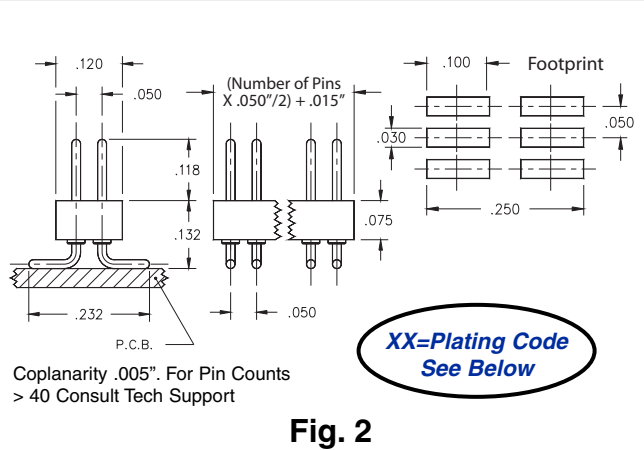
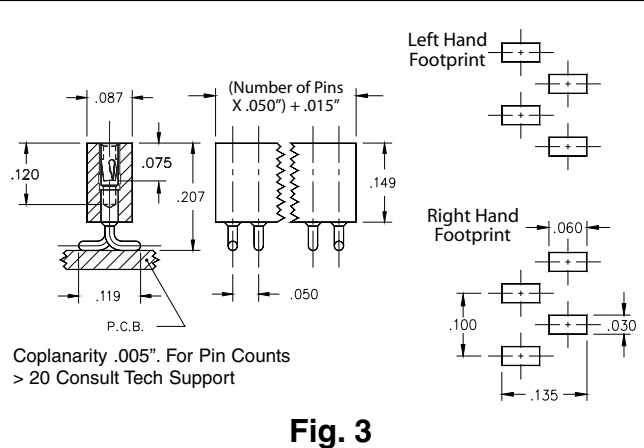


- Single row interconnects having an even number of pins are now available with a left or right hand footprint.
- Headers (850 & 852) use MM# 4006 pins. See page 175 for details.
- Sockets (851 & 853) use MM# 4890-0 receptacles and accept pin diameters from .015-.021. See page 131 for details.
- Coplanarity .005" (Single Row max 20 pins; Double Row max 40 pins). For higher pin counts contact technical support .
- Insulators are high temp. thermoplastic.

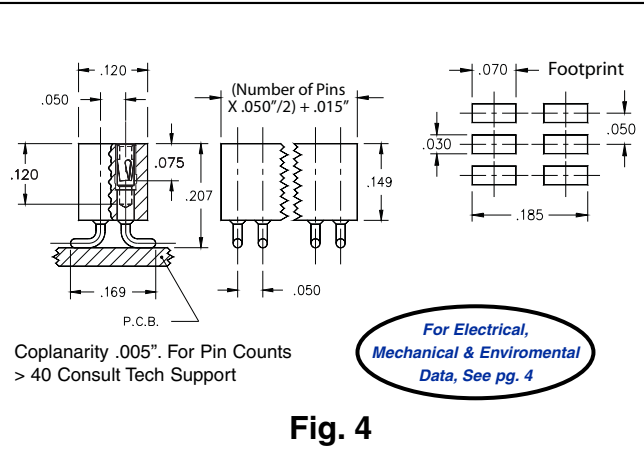


**Ordering Information**

<b>Fig. 1L</b>	<b>Single Row Header, Left Hand Footprint Odd or Even # of pins</b>	850-XX-0__-30-001000
	<b>Specify # of pins</b>	02-50
<b>Fig. 1R</b>	<b>Single Row Header, Right Hand Footprint Even # of pins</b>	850-XX-0__-30-002000
	<b>Specify even # of pins</b>	02-50
<b>Fig. 2</b>	<b>Double Row Header, Even # of pins</b>	852-XX-__-30-001000
	<b>Specify even # of pins</b>	004-100



SPECIFY PLATING CODE XX=	10 $\diamond$	90	40 $\diamond$
Pin Plating	10µ Au	200µ Sn/Pb	200µ Sn



<b>Fig. 3L</b>	<b>Single Row Socket, Left Hand Footprint Odd or Even # of pins</b>	851-XX-0__-30-001000
	<b>Specify # of pins</b>	02-50
<b>Fig. 3R</b>	<b>Single Row Socket, Right Hand Footprint Even # of pins</b>	851-XX-0__-30-002000
	<b>Specify even # of pins</b>	02-50
<b>Fig. 4</b>	<b>Double Row Socket, Even # of pins</b>	853-XX-__-30-001000
	<b>Specify even # of pins</b>	004-100

SPECIFY PLATING CODE XX=	93	99	43 $\diamond$	44 $\diamond$
Sleeve (Pin)	200µ Sn/Pb	200µ Sn/Pb	200µ Sn	200µ Sn
Contact (Clip)	30µ Au	200µ Sn/Pb	30µ Au	200µ Sn

## X-ON Electronics

Largest Supplier of Electrical and Electronic Components

*Click to view similar products for [Headers & Wire Housings](#) category:*

*Click to view products by [Mill-Max](#) manufacturer:*

Other Similar products are found below :

[892-18-020-10-001101](#) [58102-G61-06LF](#) [582553-1](#) [0009485154](#) [009176003701906](#) [0050291907](#) [LY20-4P-DT1-P1E-BR](#) [02.125.8002.8](#)  
[609-3404](#) [61062-3](#) [61082-181009](#) [622-3653LF](#) [63453-116](#) [636-1030](#) [636-1427](#) [636-3427](#) [636-4007](#) [641938-9](#) [641991-4](#) [644827-2](#) [65817-](#)  
[010LF](#) [65817-015LF](#) [65863-015LF](#) [66207-023LF](#) [67095-007LF](#) [67601157](#) [68648-049](#) [70.362.1628.0](#) [70-4210](#) [70-4226B](#) [70-4853B](#) [707-](#)  
[5020](#) [707-5028](#) [71.350.2428.0](#) [71918-208LF](#) [71961-016LF](#) [733-134](#) [733-162](#) [754199-000](#) [760-3052](#) [787-8014-00](#) [79531-3000](#) [FCN-](#)  
[360C032-B](#) [FCN-367T-T012/H](#) [FCN-723D010/2](#) [80.063.4001.1](#) [800-90-001-10-001000](#) [800-90-010-10-002000](#) [801-43-002-10-013000](#)  
[801-43-006-10-002000](#)