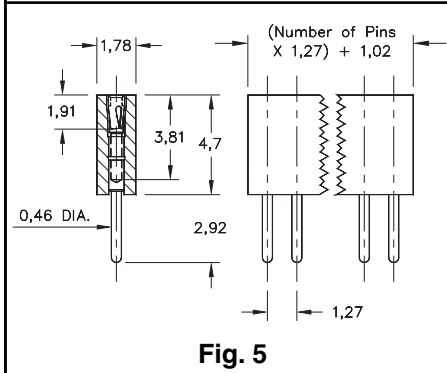
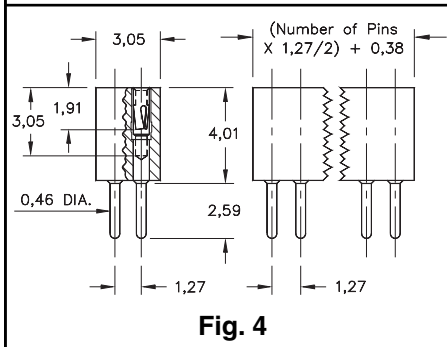
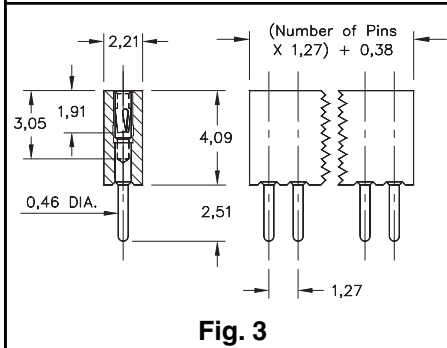
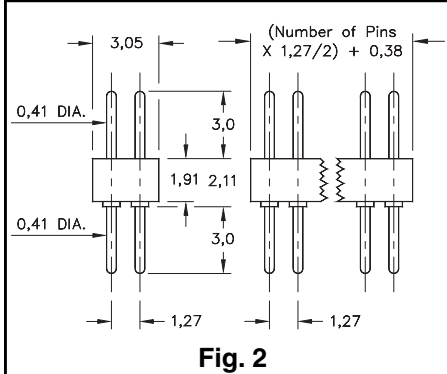
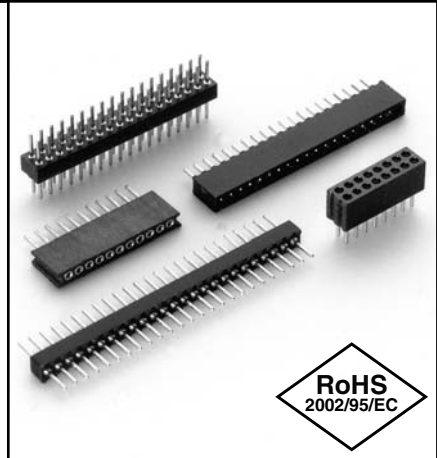


- Series 850 single and double row interconnects have 1,27 pin spacing & permit board stacking as low as 6,3.
- Pin headers have 0,41 dia. pins (MM #4006-0). See page 175 for details.
- MM #0467 and MM #4890 receptacles use Hi-Rel, 3-finger BeCu #11 contacts rated at 3 amps. (#11 contact accepts pin diameters from 0,38 - 0,51). See pages 129 and 131 for details.
- Insulators are high temp. thermoplastic, suitable for all soldering operations.



Ordering Information

Fig. 1	Single Row	2,21 Profile Pin Header
	Specify # of pins	850-XX-0__-10-001000 └──────────┬──────────> 01-50
Fig. 2	Double Row	1,91 Profile Pin Header
	Specify # of pins	852-XX-__-10-001000 └──────────┬──────────> 002-100

For Electrical, Mechanical & Environmental Data, See pg. 4

XX=Plating Code See Below

For RoHS compliance select ◇ plating code.

SPECIFY PLATING CODE XX=	10 ◇	90	40 ◇	
Pin Plating	0,25µm Au	5,08µm Sn/Pb	5,08µm Sn	

Fig. 3	Single Row	4,09 Profile Socket
	Specify # of pins	851-XX-0__-10-001000 └──────────┬──────────> 01-50
Fig. 4	Double Row	4,09 Profile Socket
	Specify # of pins	853-XX-__-10-001000 └──────────┬──────────> 002-100
Fig. 5	Single Row	4,7 Profile Socket
	Specify # of pins	851-XX-0__-10-002000 └──────────┬──────────> 01-77

For Electrical, Mechanical & Environmental Data, See pg. 4

XX=Plating Code See Below

For RoHS compliance select ◇ plating code.

SPECIFY PLATING CODE XX=		93	99	43 ◇	
Sleeve (Pin)		5,08µm Sn/Pb	5,08µm Sn/Pb	5,08µm Sn	
Contact (Clip)		0,76µm Au	5,08µm Sn/Pb	0,76µm Au	

X-ON Electronics

Largest Supplier of Electrical and Electronic Components

Click to view similar products for [IC & Component Sockets](#) category:

Click to view products by [Mill-Max](#) manufacturer:

Other Similar products are found below :

[614-DG5](#) [670](#) [672](#) [673](#) [712-93-120-41-001000](#) [714-93-104-31-018000](#) [8-1437531-4](#) [8150-6P10](#) [835-43-014-10-001000](#) [851-41-006-10-001000](#) [851-43-008-20-001000](#) [851-43-014-20-001000](#) [851-93-006-20-001000](#) [851-93-010-20-001000](#) [853-43-020-10-001000](#) [86.010.0053.0](#) [116-43-308-41-007000](#) [121-13-318-41-001000](#) [121-13-320-41-001000](#) [121-13-308-41-001000](#) [123-43-314-41-801000](#) [123-43-420-41-001000](#) [122-13-316-41-001000](#) [123-13-624-41-001000](#) [123-43-306-41-001000](#) [12-3513-11](#) [123-91-320-41-001000](#) [126-43-310-41-002000](#) [AKSUN](#) [37V-T](#) [1437503-9](#) [1437504-1](#) [APA-640-G-P](#) [146-44-308-41-013000](#) [146-43-308-41-012000](#) [160-10-308-00-001000](#) [160-40-320-00-001000](#) [214-99-306-01-670800](#) [2-382761-4](#) [2-5331677-4](#) [2-640360-3](#) [2801-3-00-44-00-00-07-0](#) [940-44-052-17-400004](#) [299-83-314-11-001101](#) [1986000-2](#) [2103331641101000](#) [210-43-320-41-001000](#) [210-99-628-41-001000](#) [2-1437504-6](#) [2-1437515-5](#) [2-1437531-2](#)