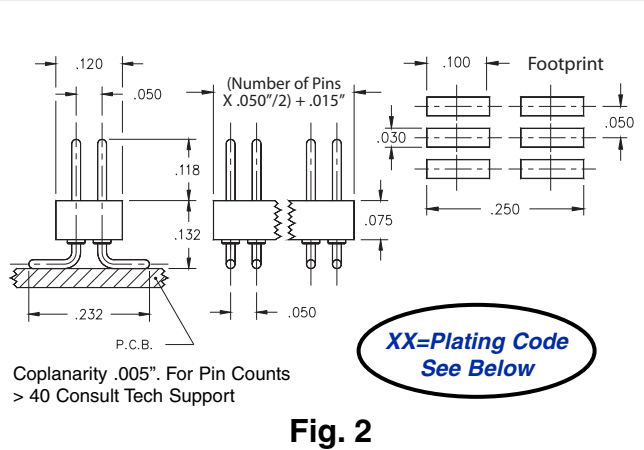
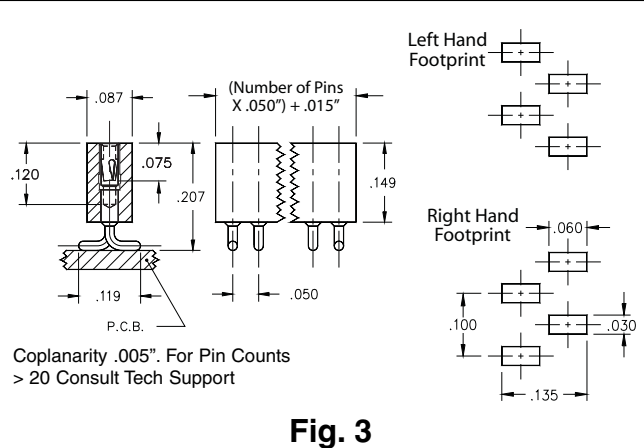


- Single row interconnects having an even number of pins are now available with a left or right hand footprint.
- Headers (850 & 852) use MM# 4006 pins. See page 175 for details.
- Sockets (851 & 853) use MM# 4890-0 receptacles and accept pin diameters from .015-.021. See page 131 for details.
- Coplanarity .005" (Single Row max 20 pins; Double Row max 40 pins). For higher pin counts contact technical support .
- Insulators are high temp. thermoplastic.



Ordering Information

Fig. 1L	Single Row Header, Left Hand Footprint Odd or Even # of pins	850-XX-0__-30-001000
	Specify # of pins	02-50
Fig. 1R	Single Row Header, Right Hand Footprint Even # of pins	850-XX-0__-30-002000
	Specify even # of pins	02-50
Fig. 2	Double Row Header, Even # of pins	852-XX-__-30-001000
	Specify even # of pins	004-100



SPECIFY PLATING CODE XX=	10 \diamond	90	40 \diamond
Pin Plating	10 μ " Au	200 μ " Sn/Pb	200 μ " Sn

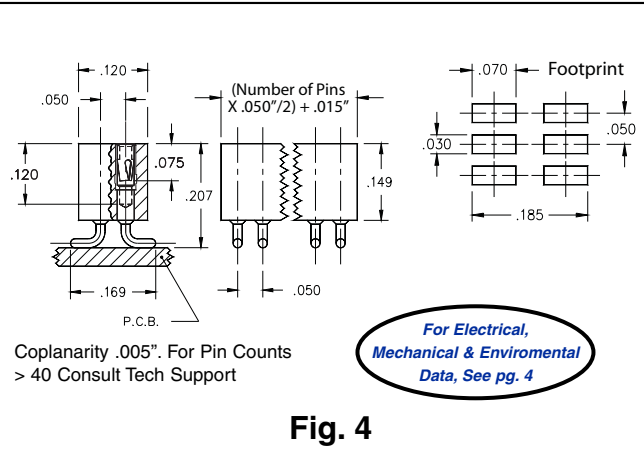


Fig. 3L	Single Row Socket, Left Hand Footprint Odd or Even # of pins	851-XX-0__-30-001000
	Specify # of pins	02-50
Fig. 3R	Single Row Socket, Right Hand Footprint Even # of pins	851-XX-0__-30-002000
	Specify even # of pins	02-50
Fig. 4	Double Row Socket, Even # of pins	853-XX-__-30-001000
	Specify even # of pins	004-100

SPECIFY PLATING CODE XX=	93	99	43 \diamond	44 \diamond
Sleeve (Pin)	200 μ " Sn/Pb	200 μ " Sn/Pb	200 μ " Sn	200 μ " Sn
Contact (Clip)	30 μ " Au	200 μ " Sn/Pb	30 μ " Au	200 μ " Sn

X-ON Electronics

Largest Supplier of Electrical and Electronic Components

Click to view similar products for [IC & Component Sockets](#) category:

Click to view products by [Mill-Max](#) manufacturer:

Other Similar products are found below :

[614-DG5](#) [670](#) [672](#) [673](#) [712-93-120-41-001000](#) [714-93-104-31-018000](#) [8-1437531-4](#) [8150-6P10](#) [835-43-014-10-001000](#) [851-41-006-10-001000](#) [851-43-008-20-001000](#) [851-43-014-20-001000](#) [851-93-006-20-001000](#) [851-93-010-20-001000](#) [853-43-020-10-001000](#) [86.010.0053.0](#) [116-43-308-41-007000](#) [121-13-318-41-001000](#) [121-13-320-41-001000](#) [121-13-308-41-001000](#) [123-43-314-41-801000](#) [123-43-420-41-001000](#) [122-13-316-41-001000](#) [123-13-624-41-001000](#) [123-43-306-41-001000](#) [12-3513-11](#) [123-91-320-41-001000](#) [126-43-310-41-002000](#) [AKSUN](#) [37V-T](#) [1437503-9](#) [1437504-1](#) [APA-640-G-P](#) [146-44-308-41-013000](#) [146-43-308-41-012000](#) [160-10-308-00-001000](#) [160-40-320-00-001000](#) [214-99-306-01-670800](#) [2-382761-4](#) [2-5331677-4](#) [2-640360-3](#) [2801-3-00-44-00-00-07-0](#) [940-44-052-17-400004](#) [299-83-314-11-001101](#) [1986000-2](#) [2103331641101000](#) [210-43-320-41-001000](#) [210-99-628-41-001000](#) [2-1437504-6](#) [2-1437515-5](#) [2-1437531-2](#)