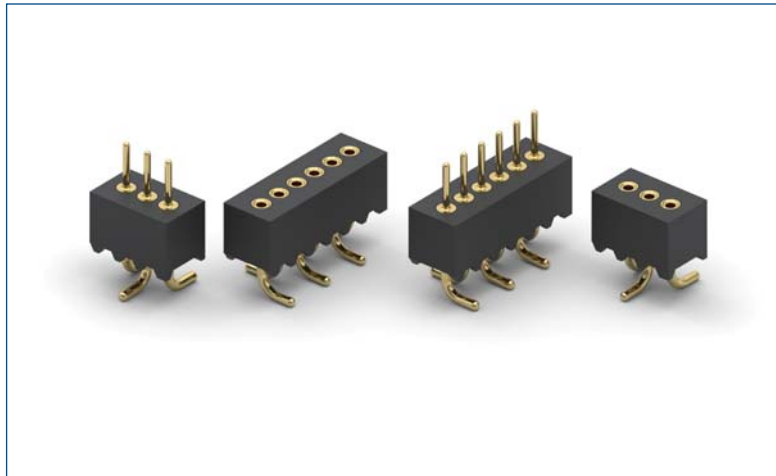


MAXIMUM SOLUTIONS

Mill-Max Introduces Fine Pitch SMT Gull Wing Connector Series

*1mm Pitch, Low Profile Makes Components Well Suited For
Compact Designs with Limited PCB Space*



Mill-Max Mfg. Corp. announces the availability of its new fine pitch SMT gull wing connector series. The series comprises the 860-10-0XX-30-002000 (1mm gull wing SMT header available in 3 - 26 positions) and the 861-13-0XX-30-002000 (1mm gull wing SMT socket available in 3 - 26 positions).

With a board-to-board stack height measuring less than 0.3" (7,62mm), the Mill-Max gull wing series is ideal for tight, compact spaces in which a surface mount, precision-machined connector is the preferred design choice. In addition, the diameter of the leads – .014" (0,36mm) for the socket, .015" (0,38mm) for the header – leaves a tiny footprint, saving valuable PCB space.

Sockets feature gold-plated shells and contacts, and headers gold-plated pins, thus ensuring optimum conductivity and superior wear resistance. The gull wing design allows for more effective and efficient inspection of the solder joints.

Additional features of the Mill-Max fine pitch SMT gull wing connector series:

- RoHS compliant
- Equipped with high temperature insulators and suitable for RoHS soldering processes
- Socket end uses a low-insertion force contact inside receptacles
- Gas tight connection when mated
- Coplanarity of 0.005" (0,13mm).

All Mill-Max pin headers and receptacle sockets feature high-speed, screw-machined pins and receptacles manufactured to precision tolerances. Inside each 861 series receptacle is a precision stamped Beryllium Copper Mill-Max #04 3-finger contact clip with a pin acceptance range of .008"-.013" (0,2mm – 0,33mm) diameter and a current rating of 2 amps.

For more information, go to www.mill-max.com/PR643.

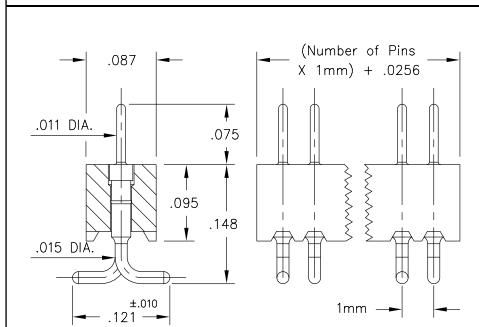
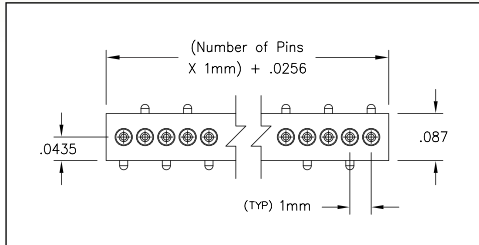
(10/13 -- PR643)

**Mill-Max Mfg. Corp. • 190 Pine Hollow Road, Oyster Bay, NY 11771
516-922-6000 • Fax: 516-922-9253 • www.mill-max.com**



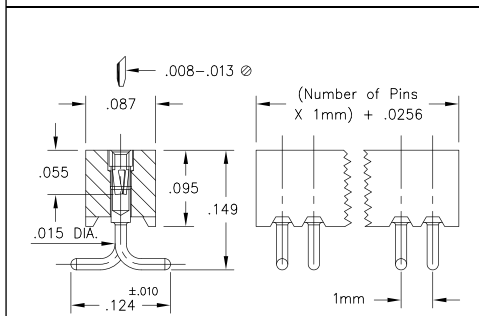
INTERCONNECTS

SERIES 860 & 861 • 1mm GRID SURFACE MOUNT GULL WING HEADERS & SOCKETS • SINGLE ROW STRIPS



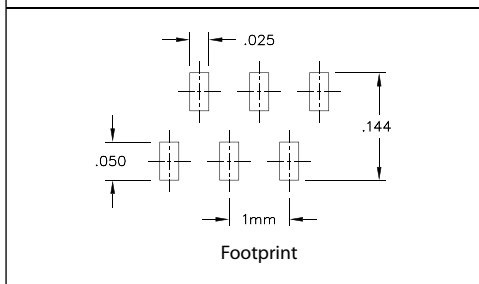
Coplanarity .005". For pin counts >20 positions, consult Technical Support.

FIG. 1

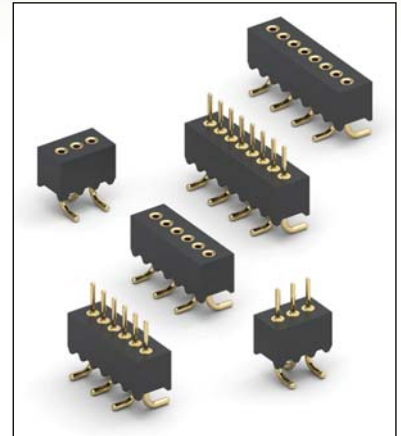


Coplanarity .005". For pin counts >20 positions, consult Technical Support.

FIG. 2



- Series 860 surface mount gull wing headers have .011" dia. pluggable pins for Surface Mount soldering to the P.C.B. (MM #3039). See page 208 for details
- Series 861 surface mount gull wing sockets uses MM #0439 receptacles that accept pin diameters from .008"-.013". See page 156 for details
- Receptacles use Hi-Rel, 3-finger BeCu #04 contact rated at 2 amps. See page 250 for details
- Insulators are high temperature thermoplastic, suitable for all soldering operations



ORDERING INFORMATION

FIG. 1	Series 860...002	Single Row Surface Mount Header
	860-10-0-30-002000	
	Specify number of pins	03-26



XX=Plating Code
See Below

For
Electrical, Mechanical
& Environmental Data,
See page 264

SPECIFY PLATING CODE XX=	10				
Pin Plating	10 μ" Au				

FIG. 2	Series 861...002	Single Row Surface Mount Socket
	861-13-0-30-002000	
	Specify number of pins	03-26



XX=Plating Code
See Below

For
Electrical, Mechanical
& Environmental Data,
See page 264

SPECIFY PLATING CODE XX=	13				
Sleeve (Pin)	10 μ" Au				
Contact (Clip)	30 μ" Au				



X-ON Electronics

Largest Supplier of Electrical and Electronic Components

Click to view similar products for [Headers & Wire Housings](#) category:

Click to view products by [Mill-Max](#) manufacturer:

Other Similar products are found below :

[892-18-020-10-001101](#) [58102-G61-06LF](#) [582553-1](#) [0009485154](#) [009176003701906](#) [0050291907](#) [LY20-4P-DT1-P1E-BR](#) [02.125.8002.8](#)
[609-3404](#) [61062-3](#) [622-0430](#) [622-3653LF](#) [63453-116](#) [636-1030](#) [636-1427](#) [636-3427](#) [636-4007](#) [641938-9](#) [641991-4](#) [644827-2](#) [65817-010LF](#)
[65817-015LF](#) [65863-015LF](#) [66207-023LF](#) [67095-007LF](#) [67601157](#) [68648-049](#) [70.362.1628.0](#) [70-4210](#) [70-4226B](#) [70-4853B](#) [707-5020](#) [707-](#)
[5028](#) [71.350.2428.0](#) [71918-208LF](#) [71961-016LF](#) [733-134](#) [733-162](#) [754199-000](#) [760-3052](#) [787-8014-00](#) [79531-3000](#) [FCN-360C032-B](#) [FCN-](#)
[367T-T012/H](#) [FCN-723D010/2](#) [80.063.4001.1](#) [800-90-001-10-001000](#) [800-90-010-10-002000](#) [801-43-002-10-013000](#) [801-43-006-10-002000](#)