

MAX solutions

TO-5 and TO-100 Through-Hole and Surface Mount Transistor Sockets

TO-5 and TO-100 transistor sockets make field insertion and removal easy and convenient. Inside each transistor socket are precision-machined, brass alloy receptacles assembled with a Mill-Max, 4-finger #30 contact.

The #30 contact provides a hi-rel mechanical and electrical connection to the mated transistor lead. Mill-Max #30 contacts have a pin diameter acceptance range of .015"-.025". Their current rating is 3 AMPs per position.

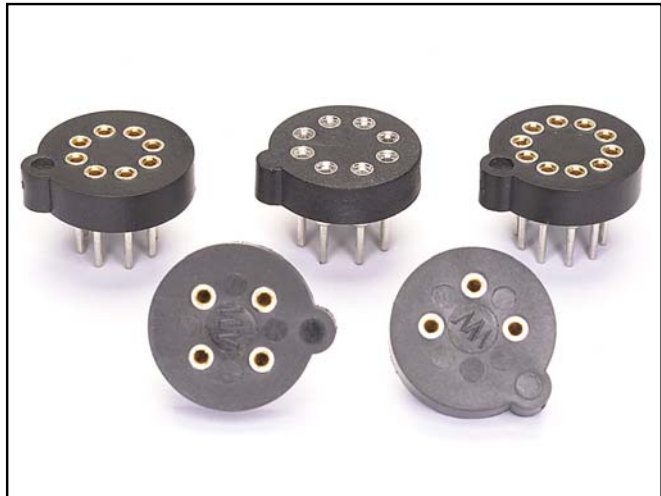
Both the through-hole and surface mount transistor sockets utilize high temperature thermoplastic suitable for both wave-soldering and reflow soldering.

Series 917 TO package sockets are available in 3, 4, 8 and 10 positions. Two 8-pin versions feature pin centers on .200" and .230" diameter circles.

Through-hole and SMT TO-5 and TO-100 sockets are currently packaged in bulk.

However, tape and reel packaging options

can be quoted. Contact our engineers at techsupport@mill-max.com for assistance with your tape and reel requirements.



(1/09 -- 591)

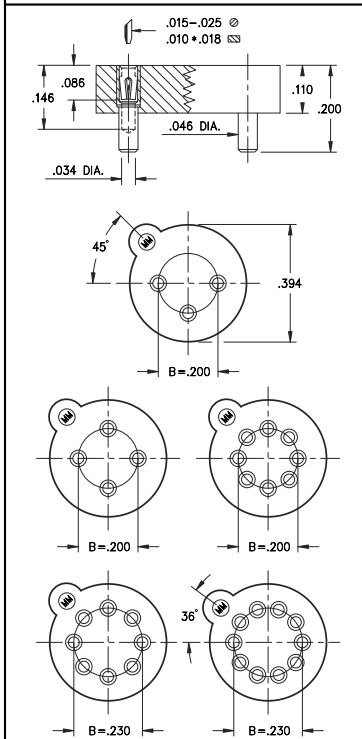
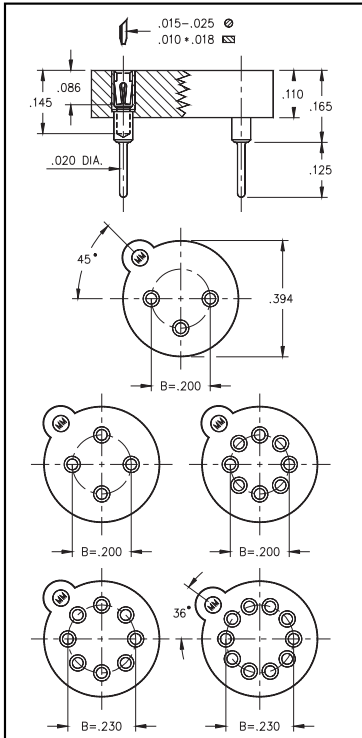
Mill-Max Mfg. Corp. • 190 Pine Hollow Road, Oyster Bay, NY 11771-0300
516-922-6000 • Fax: 516-922-9253 • www.mill-max.com





TRANSISTOR SOCKETS Surface Mount & Thru-Hole Mount

Series 917



- Series 917 TO package sockets are available in 3, 4, 8 and 10 positions.
- Two 8 pin versions feature pin centers on .200" or .230" circle.
- Series 917_005 use MM #1705 pins, see page 137 for details. Receptacles use Hi-Rel, 6 finger #35 contact rated at 3 amps. See page 209 for details.
- Series 917_001 use MM #1701 pins, see page 140 for details. Receptacles use Hi-Rel, 4 finger #30 contact rated at 3 amps. See page 208 for details.
- Insulators are high temp. thermoplastic.



Ordering Information

Transistor Sockets (Thru-Hole Mount)

Type	Circle Dia.	No. of Pins	Ordering Information
TO-5	0.200	3	917-XX-103-41-005000
TO-5	0.200	4	917-XX-104-41-005000
TO-5	0.200	8	917-XX-108-41-005000
TO-100	0.230	8	917-XX-208-41-005000
TO-100	0.230	10	917-XX-210-41-005000

Transistor Sockets (Surface Mount)

Type	Circle Dia.	No. of Pins	Ordering Information
TO-5	0.200	3	917-43-103-41-001000
TO-5	0.200	4	917-43-104-41-001000
TO-5	0.200	8	917-43-108-41-001000
TO-100	0.230	8	917-43-208-41-001000
TO-100	0.230	10	917-43-210-41-001000



XX= Plating Code
See Below

For RoHS compliance
select ◇ plating code.

SPECIFY PLATING CODE XX=	13 ◇		93	99		43 ◇	44 ◇
Sleeve (Pin)	10 μ" Au		200μ" Sn/Pb	200μ" Sn/Pb		200μ" Sn	200μ" Sn
Contact (Clip)	30 μ" Au		30 μ" Au	200μ" Sn/Pb		30 μ" Au	200μ" Sn

X-ON Electronics

Largest Supplier of Electrical and Electronic Components

Click to view similar products for [IC & Component Sockets](#) category:

Click to view products by [Mill-Max](#) manufacturer:

Other Similar products are found below :

[0066-3-17-15-30-14-02-0](#) [670](#) [672](#) [673](#) [694-13-640-00-672-000](#) [712-93-120-41-001000](#) [714-93-104-31-018000](#) [8059-4G1-LF](#) [807-22-001-10-001101](#) [807-22-001-10-006101](#) [807-22-001-30-011101](#) [807-22-001-30-012101](#) [807-22-001-30-013101](#) [807-22-001-30-014101](#) [8-1437531-4](#) [8150-6P10](#) [833-93-034-10-001000](#) [851-41-006-10-001000](#) [851-43-008-20-001000](#) [851-43-014-20-001000](#) [851-93-006-20-001000](#) [851-93-010-20-001000](#) [853-43-020-10-001000](#) [86.010.0053.0](#) [116-43-308-41-007000](#) [PX-68LCC](#) [121-13-318-41-001000](#) [121-13-320-41-001000](#) [121-13-308-41-001000](#) [123-43-314-41-801000](#) [123-43-420-41-001000](#) [123-87-320-41-001101](#) [122-13-316-41-001000](#) [123-13-624-41-001000](#) [123-43-306-41-001000](#) [12-3513-11](#) [123-91-320-41-001000](#) [126-43-310-41-002000](#) [AKSUN 37V-T](#) [1437503-9](#) [1437504-1](#) [146-44-308-41-013000](#) [APO-320-G-T](#) [146-43-308-41-012000](#) [160-10-308-00-001000](#) [160-40-320-00-001000](#) [214-99-306-01-670800](#) [232-1270-02-0602](#) [2-382761-4](#) [2-5331677-4](#)