

NMB SLEEVE BEARING 03510SS-05x (35[□] x 10[□])

NMBTC.COM / 248.919.2250

DC Axial Fans

General Specifications

Motor Protection:

Auto Restart/Polarity Protection

Insulation Resistance:

10M Ω or over with a DC500V Megger

Dielectric Withstand Voltage:

AC 700V 1s or AC 500V 1min

Allowable Ambient Temperature Range:

-10°C ~ +70°C (Operating)

-40°C ~ +70°C (Storage)

(non-condensing environment)

Expected Life

40°C 30,000 Hours (L10)

Material

Casing : Plastic (Black) UL94V-0

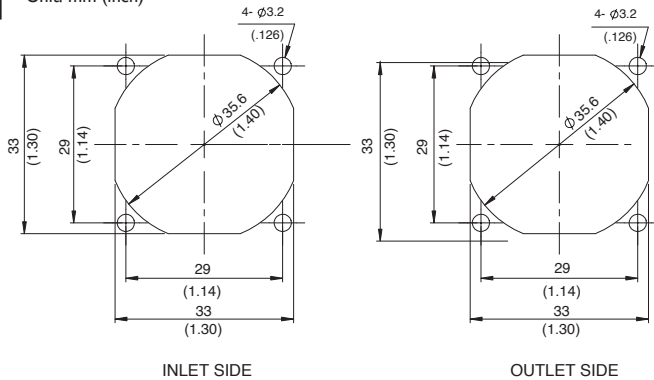
Impeller : Plastic (Black) UL94V-0

Bearing : Sleeve Bearing

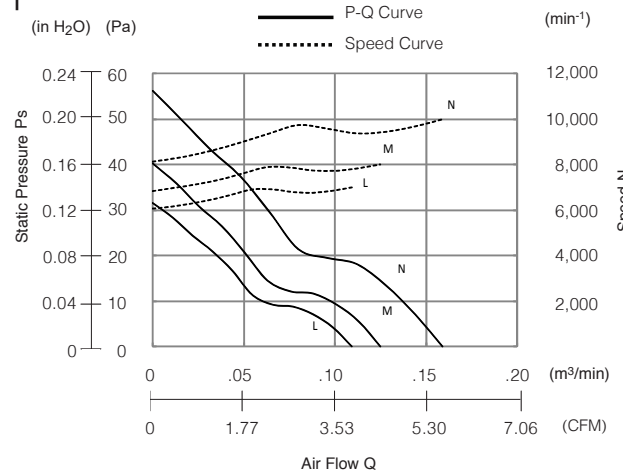
Lead Wire : UL1061, AWG26, +Red, -Black, (Tach) White

Panel Cut-Outs

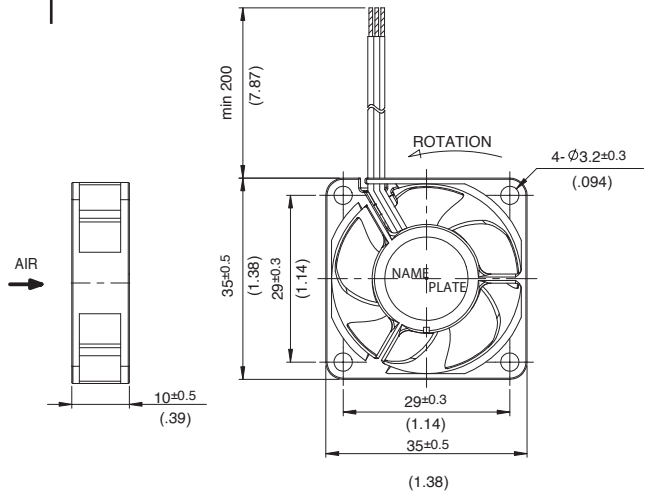
Unit: mm (inch)



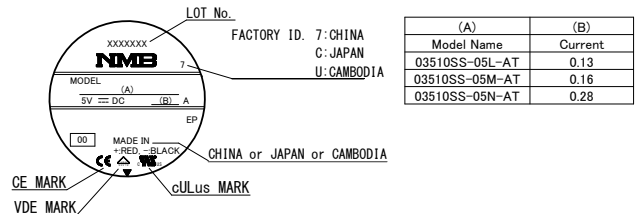
Characteristic Curves



Outline



Name Plate



Specifications

MODEL	Rated Voltage	Operating Voltage	Current	Input Power	Speed	Max. Air Flow		Max. Static Pressure		Noise	Mass
	(V)	(V)	(A) ^{*1}	(W) ^{*1}	(min ⁻¹) ^{*1}	(CFM)	(m ³ /min)	(in H ₂ O)	(Pa)	(dB) ^{*1}	(g)
03510SS-05L-AT-00	5	4.5 ~ 5.5	0.08	0.40	7000	3.88	0.11	0.12	30.9	19.0	10.5
03510SS-05M-AT-00	5	4.5 ~ 5.5	0.12	0.60	8000	4.24	0.12	0.16	39.4	22.4	10.5
03510SS-05N-AT-00	5	4.5 ~ 5.5	0.20	1.00	10000	5.65	0.16	0.23	56.3	27.0	10.5

*1: Average Values in Free Air

Note: Locked Rotor/Tach Available

TACHO Specification

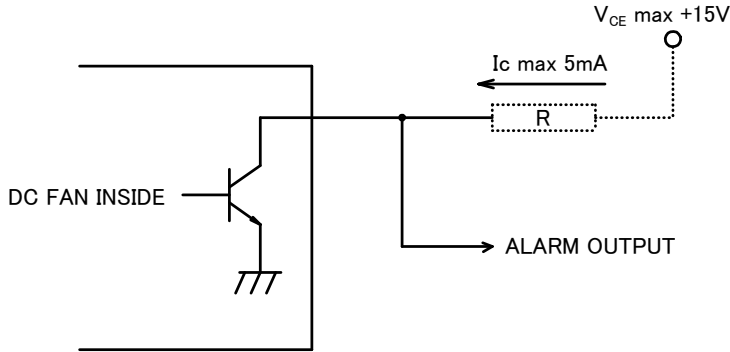
TACHOMETER SIGNAL

1. OUTPUT CIRCUIT : OPEN COLLECTOR SPECIFICATION

Absolute Maximum Ratings at Ta=25°C

V_{CE} max : +15V

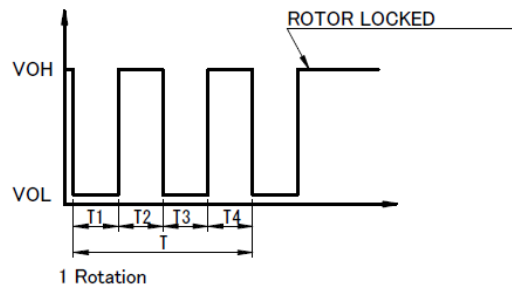
I_c max : 5mA [V_{CE(sat)}max = 0.5V]



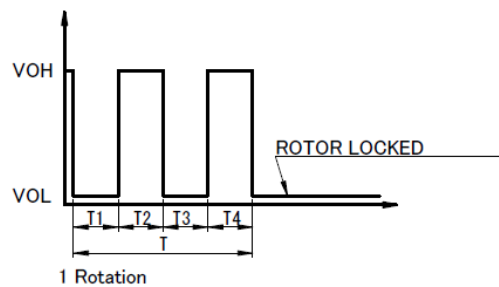
ALARM SIGNAL CIRCUIT

3. OUTPUT WAVEFORM : AT RATED VOLTAGE
OUTPUT SIGNAL VOLTAGE

3-1 Case-1



3-2 Case-2



- 1) When the rotor is locked at VOH position of signal, signal keeps VOH position.
- 2) When the rotor is locked at VOL position of signal, signal keeps VOL position.
- 3) $T = T1 + T2 + T3 + T4 = 60 / m = 1 \text{ rotation}$

m : min⁻¹

Tach Duty Cycle = 50% ± 10%

X-ON Electronics

Largest Supplier of Electrical and Electronic Components

Click to view similar products for [DC Fans](#) category:

Click to view products by [MinebeaMitsumi](#) manufacturer:

Other Similar products are found below :

[614R](#) [AUB0612L](#) [AFB0948HH-S687](#) [G2E085-AA05-10](#) [4318/12T](#) [AUB0912H-F00](#) [3412N/2ME](#) [W2G110-AM39-01](#) [8412GLV](#) [8412NGL-12](#) [6448-384](#) [4114N/17-251](#) [4318/2R](#) [4412F/2D](#) [424JMU](#) [4414/2HH](#) [4112 N/12GL-175](#) [9GA0912F402](#) [9GA0812B20011](#)
[AFB0824SHBAV1](#) [DV5214/2NP-230](#) [9GA0912H4021](#) [THC1548MGDJJ](#) [9GA0812B2001](#) [GFB1224SHG](#) [8500NU](#) [9WG1212E101-E](#)
[3241.124](#) [DC1203812W2B-2T0](#) [DC0401012V2B-3T0](#) [ASFP14391](#) [ASFP64371](#) [ASFP64391](#) [ASFP84391](#) [ASFP92391](#) [9A0612G402](#)
[AD5012HB-C71](#) [AD5012MB-C71](#) [ASFP84372](#) [ASFP64372](#) [31100-000440-RS](#) [026758A](#) [514F](#) [MEC0381V1-000U-G99](#) [4292](#) [MF40101V2-1000U-A99](#) [MF60152V1-1000U-G99](#) [3610KL-04W-B50-D00](#) [109P0412K3023](#) [EE92251B1-000U-F99](#)