

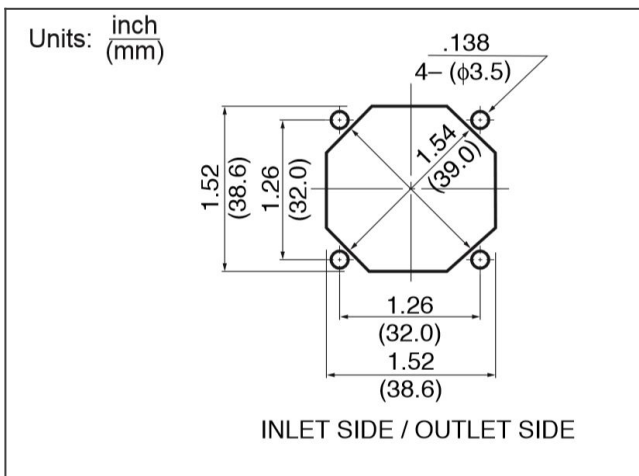
General Specifications

Motor Protection: Auto Restart/Polarity Protection
 Insulation Resistance: 10M Ohm or over with a DC500V Megger
 Dielectric Withstand Voltage: AC 700V 1st
 Allowable Ambient Temperature Range:
 -10 degree C ~ +70 degree C (Operating)
 -40 degree C ~ +70 degree C (Storage)
 (non-condensing environment)

order part 04010KA-05N-AA-00 Ball Bearing Fan DC Fans



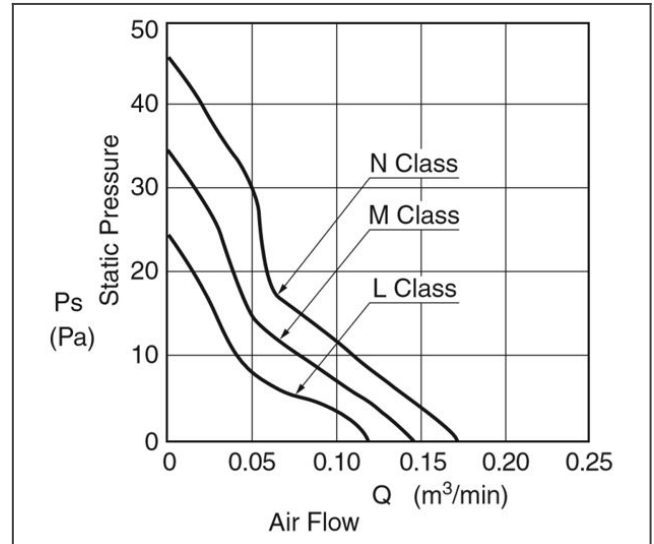
04010KA panel cut outs



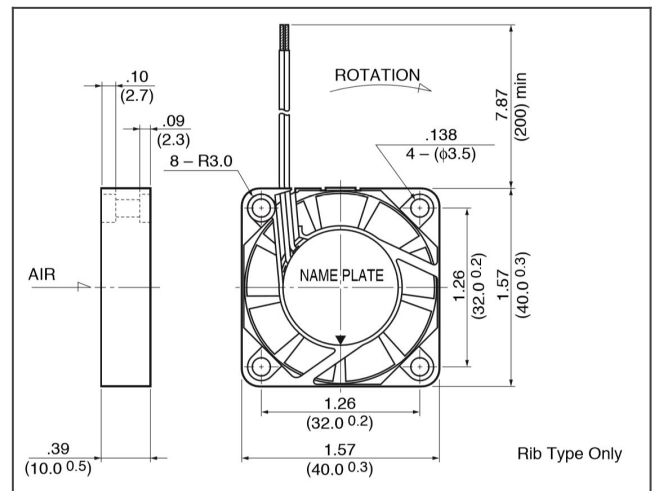
Material

Casing: Plastic (Black) UL94V-0
 Impeller: Plastic (Black) UL94V-0
 Bearing: Sleeve Bearing
 Lead Wire: UL1061, AWG26, +Red, -Black

04010KA characteristics curve



04010KA product drawing



Detailed Specifications

DC Fans

Expected Life:	25 degree C 60,000 Hours (L10)
DC Fan:	Ball Bearing Fan
Nominal Voltage:	5[V]
Operating Voltage Lower:	4.5[V]
Operating Voltage Upper:	5.5[V]
Current:	0.16[A]
Input Power:	0.8[W]
Speed:	6500[min^{-1}]
Max. Air Flow:	0.17[m^3/min]
Max. Air Flow:	6[CFM]
Max. Static Pressure:	46[Pa]
Max. Static Pressure:	0.18[In H ₂ O]
Noise:	29[dB]
Mass:	15[g]
Fan Size:	40[mm]
Fan Width:	10[mm]
Life Expectancy L10:	25 degree C 60,000 Hours (L10)
Series:	04010KA

X-ON Electronics

Largest Supplier of Electrical and Electronic Components

Click to view similar products for [DC Fans](#) category:

Click to view products by [MinebeaMitsumi](#) manufacturer:

Other Similar products are found below :

[614R](#) [AUB0612L](#) [AFB0948HH-S687](#) [G2E085-AA05-10](#) [4318/12T](#) [AUB0912H-F00](#) [3412N/2ME](#) [W2G110-AM39-01](#) [8412GLV](#) [8412NGL-12](#) [6448-384](#) [4114N/17-251](#) [4318/2R](#) [4412F/2D](#) [424JMU](#) [4414/2HH](#) [4112 N/12GL-175](#) [9GA0912F402](#) [9GA0812B20011](#)
[AFB0824SHBAV1](#) [DV5214/2NP-230](#) [9GA0912H4021](#) [THC1548MGDJJ](#) [9GA0812B2001](#) [GFB1224SHG](#) [8500NU](#) [9WG1212E101-E](#)
[3241.124](#) [DC0401012V2B-3T0](#) [ASFP14391](#) [ASFP64371](#) [ASFP64391](#) [ASFP84391](#) [ASFP92391](#) [9A0612G402](#) [AD5012HB-C71](#)
[AD5012MB-C71](#) [ASFP84372](#) [ASFP64372](#) [31100-000440-RS](#) [ASFP14372](#) [ASFP16371](#) [ASFP16372](#) [ASFP40770](#) [ASFP42770](#) [ASFP44770](#)
[ASFP64392](#) [ASFP82392](#) [ASFP84392](#) [ASFP92371](#)