

General Specifications

Motor Type: DC Brushless Motor

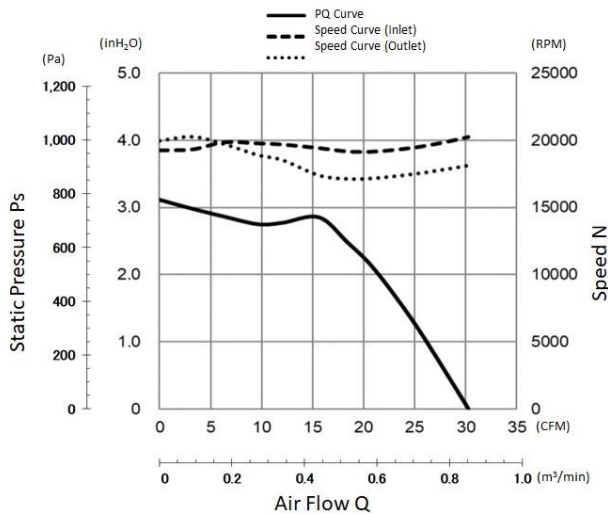
Motor Protection: Auto Restart/Polarity Protection

Insulation Resistance:
10M Ω by DC500V Megger

Dielectric Withstand Voltage:
AC 700V 1s or 500V 1min

Allowable Ambient Temperature Range:
-10°C ~ +60°C (Operating)
-30°C ~ +70°C (Storage)
(non-condensing environment)

Characteristics Curves



PWM Benefits & Applications

PWM Benefits

- Increased Life Expectancy
- Energy Saving
- Lower Vibration
- Lower Noise
- Current Spike Prevention

PWM Applications

- Routers
- Switches
- Storage
- Data Centers
- Optical Repeaters
- Broadcast Equipment
- Inverters
- UPS
- Battery Chargers
- Fuel Cells
- Industrial Power Supplies
- Welders
- Plasma Cutters
- Instrumentation
- Test Equipment
- Enclosures and more

- Customized fan performances at multiple operating points.
- Peak efficiency resulting in lower total ownership costs.
- Cost effective and better reliability.

Life Expectancy L10

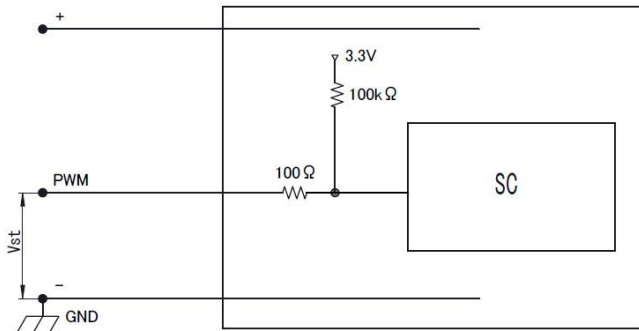
40°C 70,000 Hours

Specifications

MODEL	Rated Voltage	Operating Voltage	Current		Input Power		Speed		Max. Air Flow		Max. Static Pressure		Noise	Mass
			Avg	Max	Avg	Max	Inlet	Outlet	(CFM) ^{*1}	(m ³ /min) ^{*1}	(inH ₂ O) ^{*1}	(Pa) ^{*1}		
04056EA-12R-EUB-2	(V) 12	(V) 10.8 ~ 12.6	(A) ^{*1} 1.30	(A) ^{*1} 1.70	(W) ^{*1} 15.60	(W) ^{*1} 20.40	(min ⁻¹) ^{*1} 20000	(min ⁻¹) ^{*1} 18000	(CFM) ^{*1} 30.3	(m ³ /min) ^{*1} 0.86	(inH ₂ O) ^{*1} 3.10	(Pa) ^{*1} 771	(dB) ^{*1} 69.0	(g) 90

PWM Specifications

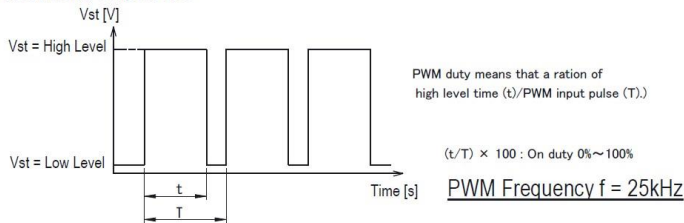
PWM CONTROL
● CONNECTION



1. Vst : PWM CONTROL VOLTAGE

Vst = Low Level (0V ~ 0.4V) → Stop (On Duty 0%)
 Vst = High Level (4.0V ~ 5.0V) → Full Speed (On Duty 100%)
 Vst = OPEN → Full Speed

2. PWM Duty & Input Pulse



3. The condition for PWM control are as follows.

- When you use this under PWM control, always be sure the motor's operation under practical mounting state.
- Fan motor may not start up caused by PWM control at very low speed condition.

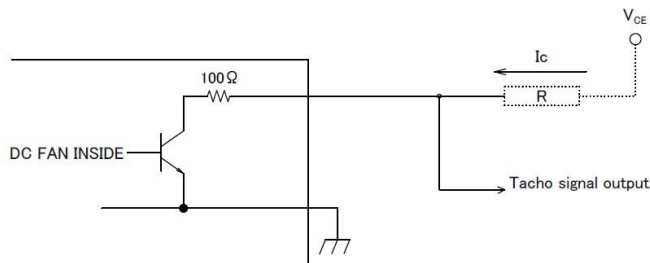
To run at Rating Voltage

- Please use the start with Duty 20% or more at 25kHz.
- [At rated voltage input, Ambient temperature 25°C]

TACHO Specifications

TACHO SIGNAL

- OUTPUT CIRCUIT : OPEN COLLECTOR
- SPECIFICATION)
 - Ta=25°C
 - Absolute Maximum Ratings at Ta=25°C
 - V_{CE} max : +15V DC
 - I_c max : 5mA [V_{CE(sat)}max = 1.5V]

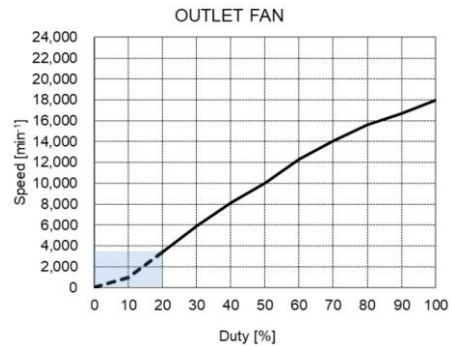
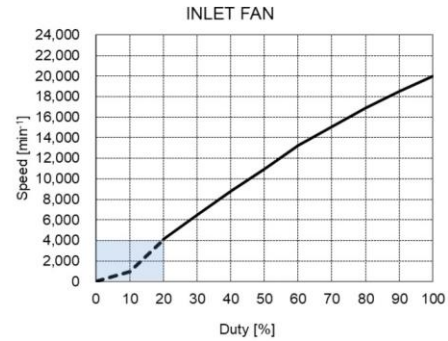


TACHO SIGNAL CIRCUIT

PWM Characteristics Curve

REFERENCE PWM Duty VS Speed

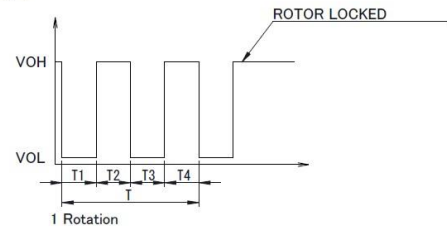
Condition : at rating voltage, Vst=5V, F=25kHz, Ta=25°C



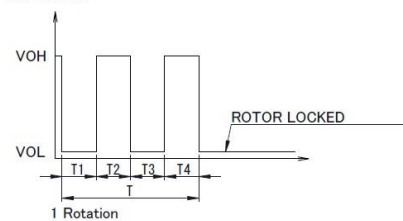
3. OUTPUT WAVEFORM : AT RATED VOLTAGE

4. OUTPUT SIGNAL VOLTAGE

3-1



3-2 Case-2

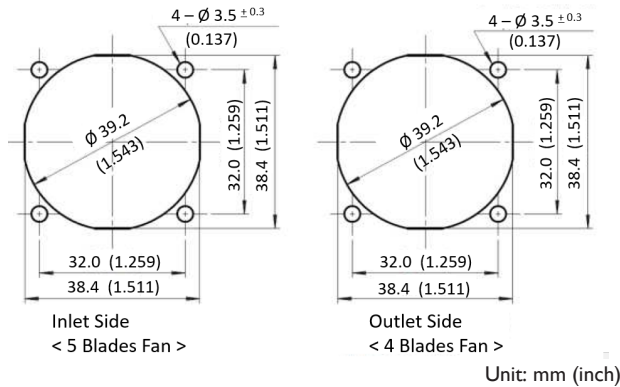


- When the rotor is locked at VOH position of signal, signal keeps VOH position.
- When the rotor is locked at VOL position of signal, signal keeps VOL position.
- T = T₁ + T₂ + T₃ + T₄ = 60°/m = 1 rotation

m : min⁻¹

Tach Duty Cycle = 50% ± 10%

Panel Cut-Outs



Materials

Inlet FAN

- Casing : Plastic (Black UL94V-0)
- Impeller : Plastic (Black UL94V-0)
- Bearing : Ball Bearing
- Lead Wire : UL10368 AWG26 or AWG28 or Equivalent

(+) : Red (-) : Black
PWM : Brown Tach : White

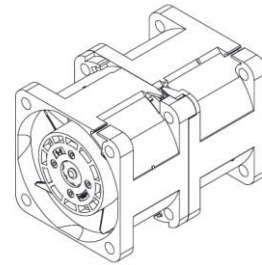
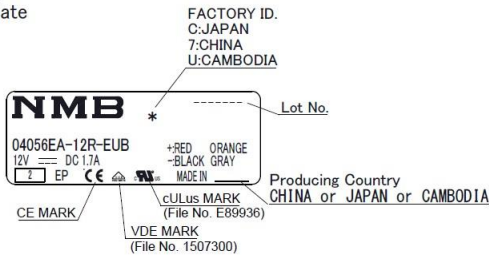
Outlet FAN

- Casing : Plastic (Black UL94V-0)
- Impeller : Plastic (Black UL94V-0)
- Bearing : Ball Bearing
- Lead Wire : UL10368 AWG26 or AWG28 or Equivalent

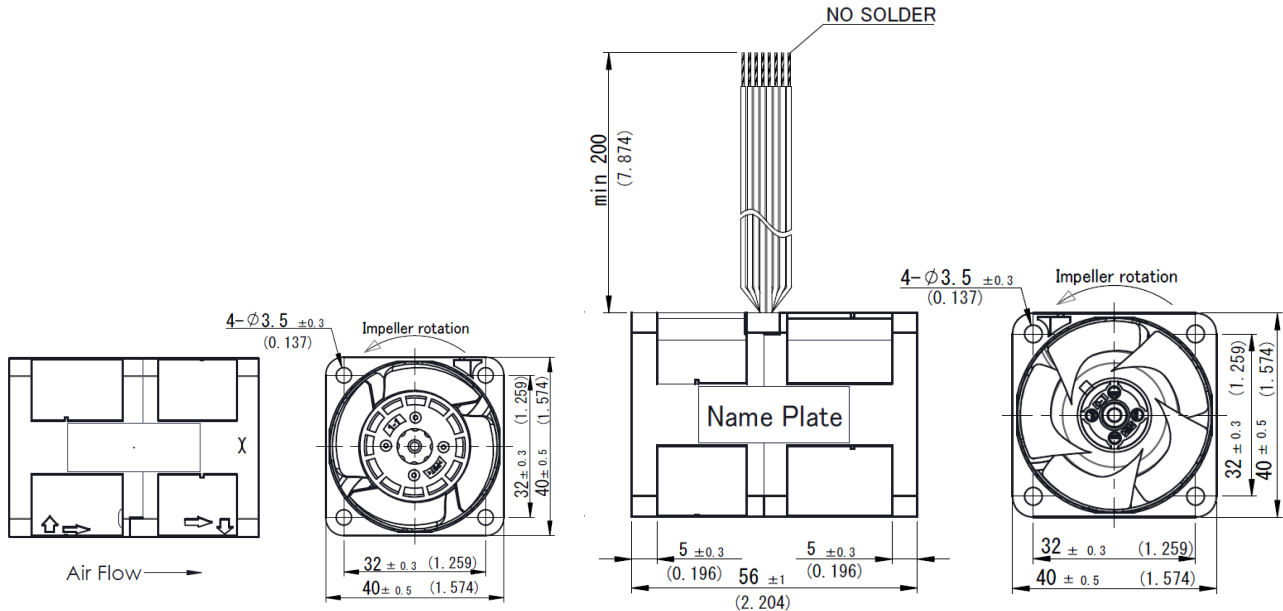
(+) : Orange (-) : Gray
PWM : Blue Tach : Yellow

Outline

Name Plate



Flange Casing



Unit: mm (inch)

X-ON Electronics

Largest Supplier of Electrical and Electronic Components

Click to view similar products for [DC Fans](#) category:

Click to view products by [MinebeaMitsumi](#) manufacturer:

Other Similar products are found below :

[614R](#) [AUB0612L](#) [AFB0948HH-S687](#) [G2E085-AA05-10](#) [4318/12T](#) [AUB0912H-F00](#) [3412N/2ME](#) [W2G110-AM39-01](#) [8412GLV](#) [8412NGL-12](#) [6448-384](#) [4114N/17-251](#) [4318/2R](#) [4412F/2D](#) [424JMU](#) [4414/2HH](#) [4112 N/12GL-175](#) [9GA0912F402](#) [9GA0812B20011](#)
[AFB0824SHBAV1](#) [DV5214/2NP-230](#) [9GA0912H4021](#) [THC1548MGDJJ](#) [9GA0812B2001](#) [GFB1224SHG](#) [8500NU](#) [9WG1212E101-E](#)
[3241.124](#) [DC0401012V2B-3T0](#) [ASFP14391](#) [ASFP64371](#) [ASFP64391](#) [ASFP84391](#) [ASFP92391](#) [9A0612G402](#) [AD5012HB-C71](#)
[AD5012MB-C71](#) [ASFP84372](#) [ASFP64372](#) [31100-000440-RS](#) [ASFP14372](#) [ASFP16371](#) [ASFP16372](#) [ASFP40770](#) [ASFP42770](#) [ASFP44770](#)
[ASFP64392](#) [ASFP82392](#) [ASFP84392](#) [ASFP92371](#)