

PWM and Tach Output Brushless DC Fan **06076EA-12S (0-Type)**

NMB

General Specifications

Motor Type:

DC Brushless Three Phase Motor

Motor Protection:

Auto Restart / Polarity Protection (Motor withstands reverse connection for positive and negative leads.)

Insulation Resistance:

10MΩ or over with a DC 500V Megger

Dielectric Withstand Voltage:

AC 700V 1sec or 500V 1min

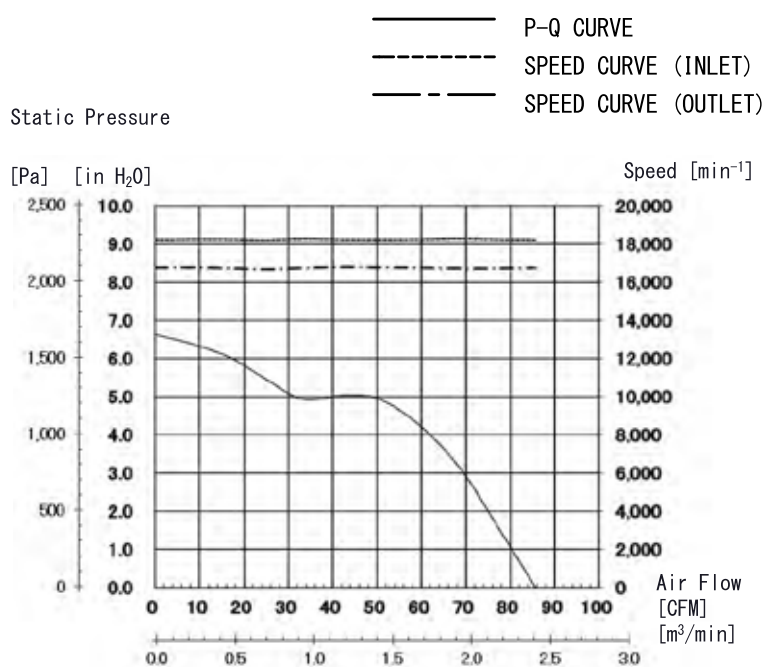
Allowable Ambient Temperature Range:

-10°C ~ + 60°C (Operating)
-40°C ~ + 70°C (Storage)
(non-condensing environment)



**For reference only. Please refer to fan outline for details*

Characteristic Curves



Features

- High performance counter rotating fan with eight wires and PWM with tach signal
- Efficient motor technology, high torque, and aerodynamic impeller design
- Energy saving, low vibration, and increased life expectancy
- Available in 12 volts with tach output and PWM speed control
- Outfitted with NMB precision machined ball bearings for long life

Life Expectancy L10

70,000 Hours at 40°C

**Fan life expectation is based on free air operation at 40°C, rated voltage, and indoor benign lab environment*

**1: Values in Free Air*

Specifications

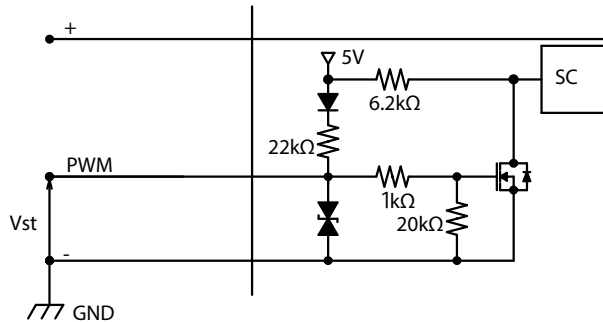
MODEL	Rating Voltage	Operating Voltage	Current		Input Power		Speed	Max. Air Flow		Max. Static Pressure		Noise	Mass
	(V)	(V)	Avg	Max	Avg	Max	Inlet/Outlet	(CFM)	(m ³ /min)	(in H ₂ O)	(Pa)	(dB)* ¹	(g)
	(V)	(V)	(A)* ¹	(A)* ¹	(W)* ¹	(W)* ¹	(min ⁻¹)* ¹	(CFM)	(m ³ /min)	(in H ₂ O)	(Pa)	(dB)* ¹	(g)
06076EA-12S-E6-0C	12	10.8 to 13.2	4.55	5.60	54.6	67.2	18,200/16,700	85.7	2.40	6.62	1650	78	245

PWM and Tach Output Brushless DC Fan 06076EA-12S (0-Type)

NMB

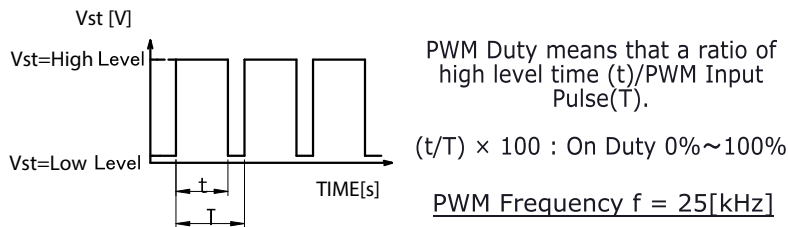
PWM Specifications

Connection



1. PWM Control
 V_{st} = Low Level (0V~0.4V) → Stop (On Duty 0%)
 V_{st} = High Level (4.0V~5.0V) → Full Speed (On Duty 100%)
 V_{st} = Open → Full Speed

2. PWM Duty & PWM Input Pulse



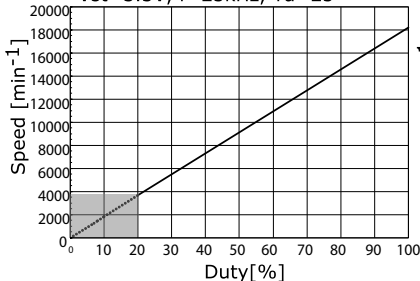
3. The condition for PWM control are as follows

- When you use this under PWM control, always be sure the motor's operation under practical mounting state. Fan motor may not start up caused by PWM control at very low speed condition.)
- To run at Rating Voltage
- Please use the start with Duty 20% or more at 25kHz.[At rated voltage input, Ambient temperature 25°C]

PWM Characteristic Curve

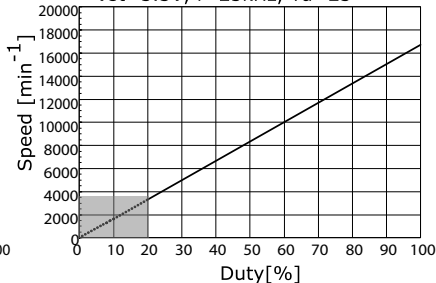
INLET SIDE

PWM Duty vs Speed Curve
 <Reference Value>
 Conditions: At Rating Voltage,
 $V_{st}=3.3V$, $f=25kHz$, $T_a=25$



OUTLET SIDE

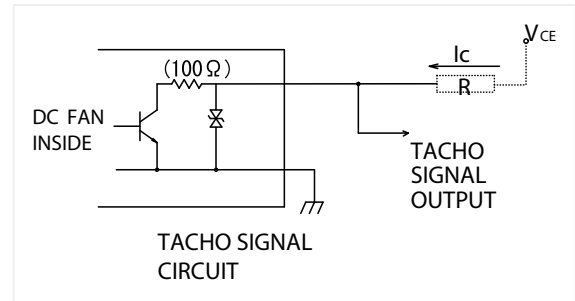
PWM Duty vs Speed Curve
 <Reference Value>
 Conditions: At Rating Voltage,
 $V_{st}=3.3V$, $f=25kHz$, $T_a=25$



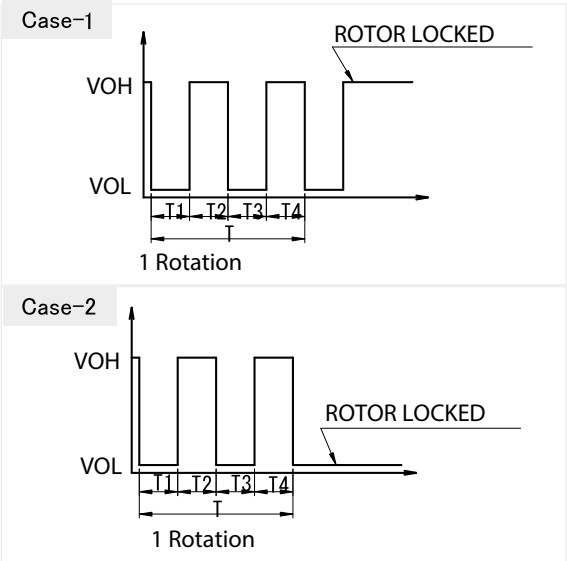
TACHO Specifications

Tachometer Signal

1. Output Circuit: Open Drain
2. Specification
 Absolute Maximum Ratings at $T_a=25^\circ C$
 V_{D5max} : +15V
 I_{Dmax} : 5mA [$V_{CE(sat)max}=1.5V$]



3. Output Waveform: At Rated Voltage Output Signal Voltage



- 1) When the rotor is locked at VOH position of signal, signal keeps VOH position.
- 2) When the rotor is locked at VOL position of signal, signal keeps VOL position.
- 3) $T=T_1+T_2+T_3+T_4=60/m=1$ rotation

m : Fan Speed (min^{-1})

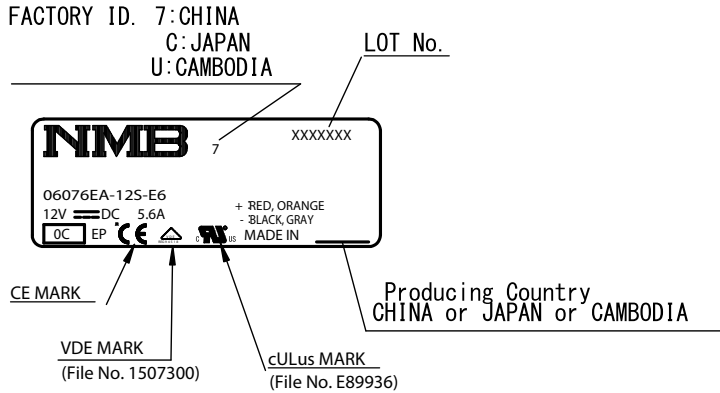
Tacho Duty Cycle=50%±10%

PWM and Tach Output Brushless DC Fan 06076EA-12S (0-Type)

NMB

Outlines

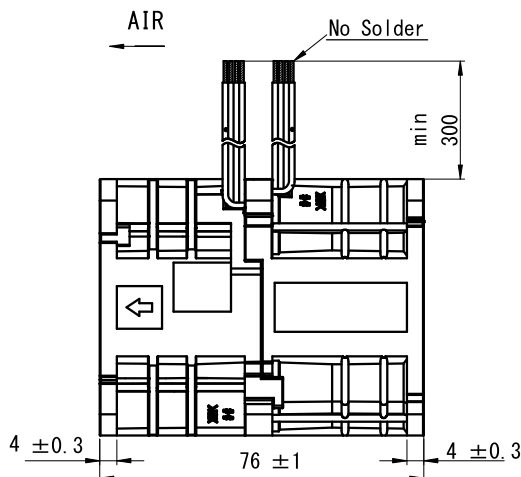
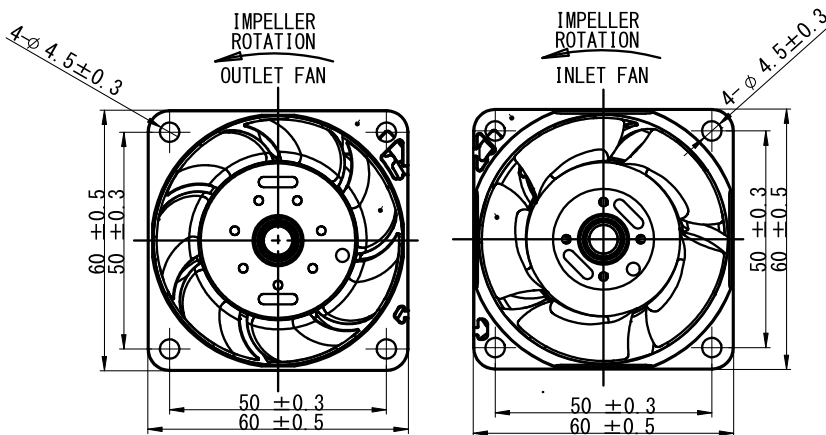
(Name Plate)



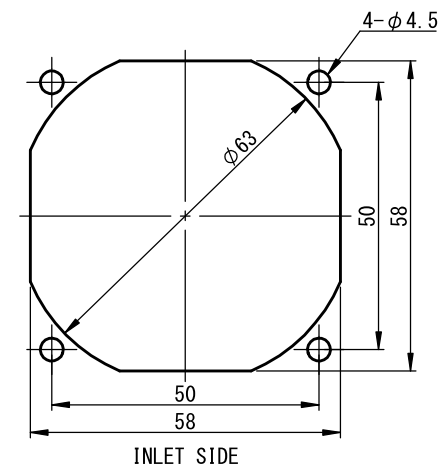
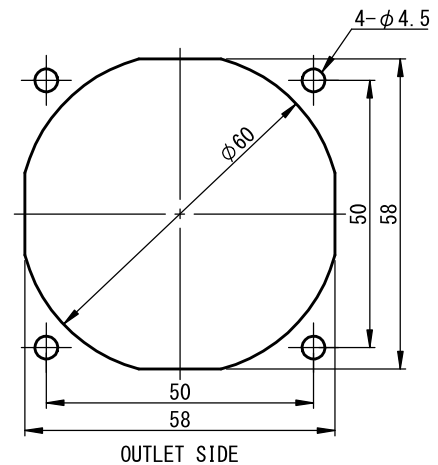
Materials

Casing [Inlet & Outlet]: Plastic(Black UL94V-0)
Impeller [Inlet & Outlet]: Plastic(Black UL94V-0)
Bearing: Ball Bearing
Lead Wire: UL10368 AWG22 for Red, Black Orange, Gray or Equivalent
 UL10368 AWG24 for White, Brown, Yellow, Blue or Equivalent
[Inlet Fan]: Red (+), Black (-), White (Tach), Brown (PWM)
[Outlet Fan]: Orange (+), Gray (-), Yellow (Tach), Blue (PWM)

(Outline)



(Panel Out-line)



X-ON Electronics

Largest Supplier of Electrical and Electronic Components

Click to view similar products for [DC Fans](#) category:

Click to view products by [MinebeaMitsumi](#) manufacturer:

Other Similar products are found below :

[F1238H24B-FHR](#) [F1238X24B1-FSR-TTL](#) [8312R](#) [G9225S05B2-FSR](#) [9274310103](#) [PMD1204PBB1-A \(2\).GN](#) [AD0912HB-A7BGL](#)
[AUB0612L](#) [KD1204PKB3 \(2\).GN](#) [G4020H05B2-RSR-EM](#) [298DM-2LP11-000](#) [298DS-2LP11-000A](#) [AUB0912H-F00](#) [6222N](#)
[USTF501005HW](#) [8412GLV](#) [8412NGL-12](#) [4114N/12HHR-297](#) [6448-384](#) [RACK0224](#) [3258JH](#) [4114N/17-251](#) [622/2N](#) [4318/2R](#) [4412F/2D](#)
[OD127AP-28HTB](#) [424JMU](#) [1608KL-04W-B29-L00](#) [EF40101BX-1000U-G99](#) [4414/2HH](#) [AQ0612MB-A70GL\(T\)#22](#) [9GA0924L4021](#)
[9GA0924M4021](#) [9GA0924M4011](#) [9GA0912M4D011](#) [9GA0912F4021](#) [9GA0912H4D011](#) [9GA0824L20021](#) [9GA0824L20011](#)
[9GA0812A2002](#) [9GA0812B2D001](#) [9GA0812L20021](#) [9WP1248M1021](#) [9GA0824L2D001](#) [9GA0912W402](#) [9GA0912M402](#)
[9GA0824B2D001](#) [9GA0824A20021](#) [9GA0912W4021](#) [9GA0924W402](#)