

# IP55 Protected/Tacho Output Brushless DC Fan 08025SE

NMB

## General Specifications

### Motor Type:

DC Brushless Motor

### Motor Protection:

Auto Restart / Polarity Protection (Motor withstands reverse connection for positive and negative leads.)

### Insulation Resistance:

10MΩ or over with a DC 500V Megger

### Dielectric Withstand Voltage:

AC 700V 1sec or 500V 1min

### Allowable Ambient Temperature Range:

-10°C ~ +70°C for 12Q (Operating)

-10°C ~ +60°C for 24R (Operating)

-40°C ~ +70°C (Storage)

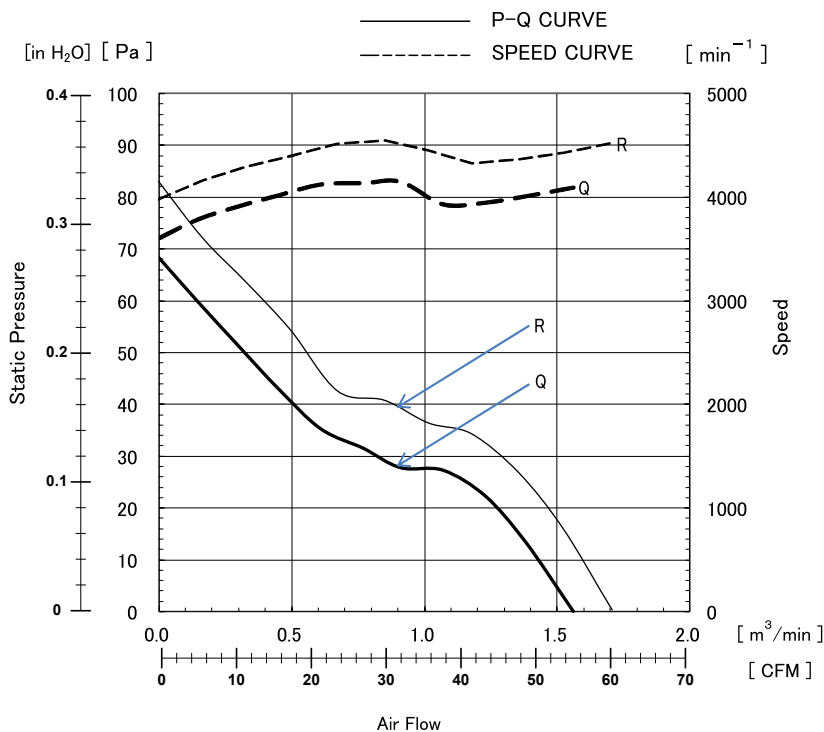
(non-condensing environment)

### Installation:

Fans to be installed with leadwire pointing downward to avoid water ingress to the motor.



## Characteristic Curves



## Features

- Meets IP55 rating and below per IEC 60529 standard
- Long life and high reliability with NMB rust resistant precision ball bearings
- Open Drain Tacho Signal output for fan speed

## Life Expectancy L10

40,000 Hours at 60°C

\*Fan life expectancy is based on free air operation at 60°C, rated voltage, and indoor benign lab environment

\*1: Values in Free Air

## Specifications

MODEL	Rating Voltage (V)	Operating Voltage (V)	Current		Input Power		Speed (min <sup>-1</sup> )*1	Max. Air Flow		Max. Static Pressure		Noise (dB)*1	Mass (g)
			Avg (A)*1	Max (A)*1	Avg (W)*1	Max (W)*1		(CFM)	(m <sup>3</sup> /min)	(in H <sub>2</sub> O)	(Pa)		
			(A)*1	(A)*1	(W)*1	(W)*1		(min <sup>-1</sup> )*1	(CFM)	(m <sup>3</sup> /min)	(in H <sub>2</sub> O)		
08025SE-12Q-FT-DW	12	7.0-13.8	0.26	0.38	3.12	4.56	4100	54.7	1.55	0.273	68	39.5	80
08025SE-24R-FT-DW	24	12.0-26.4	0.17	0.22	4.08	5.28	4500	60.0	1.70	0.329	82	42.0	80

## TACHO Specifications

### Tachometer Signal

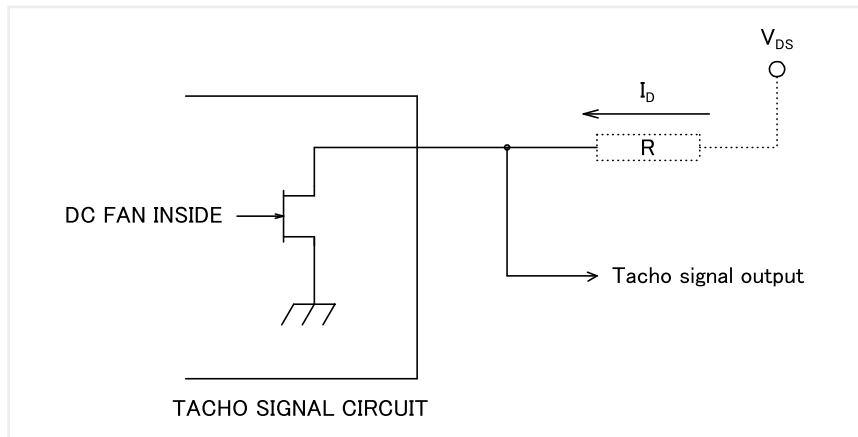
1. Output Circuit: Open Drain

2. Specification

*Absolute Maximum Ratings at Ta=25°C*

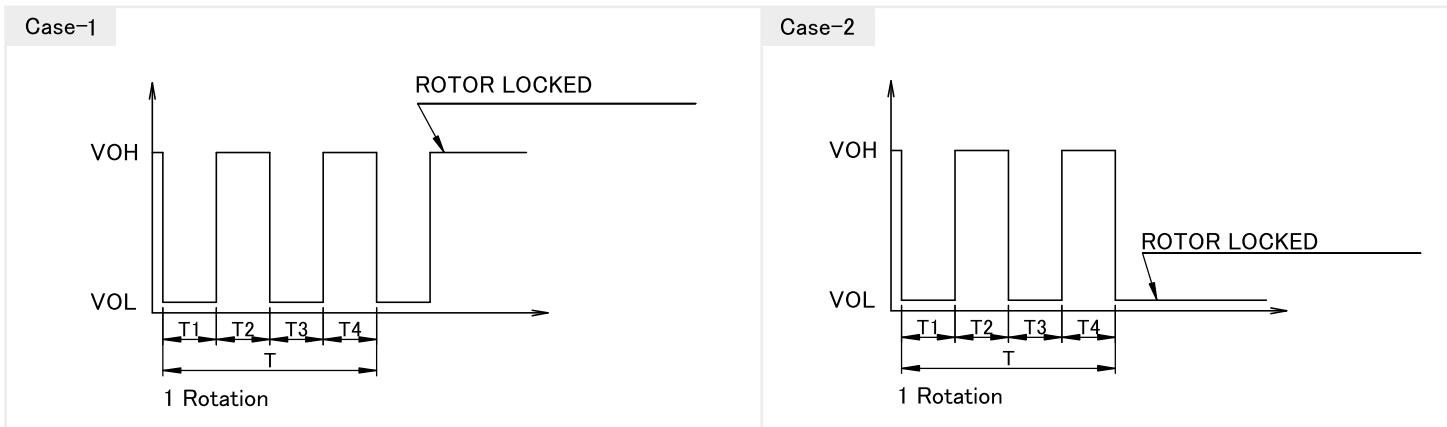
$V_{DS}max: +15V$

$I_Dmax: 5mA[V_{DS}(sat)max=0.5V]$



3. Output Waveform: At Rated Voltage

Output Signal Voltage



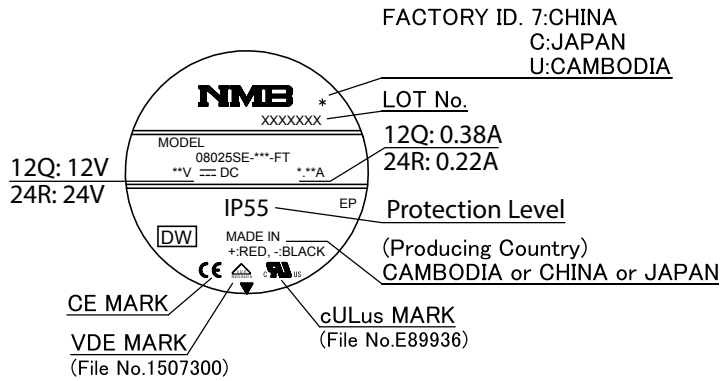
- 1) When the rotor is locked at VOH position of signal, signal keeps VOH position.
- 2) When the rotor is locked at VOL position of signal, signal keeps VOL position.
- 3)  $T=T1+T2+T3+T4=60/m=1$  rotation

m: Fan Speed ( $min^{-1}$ )

Tacho Duty Cycle=50%±10%

## Outlines

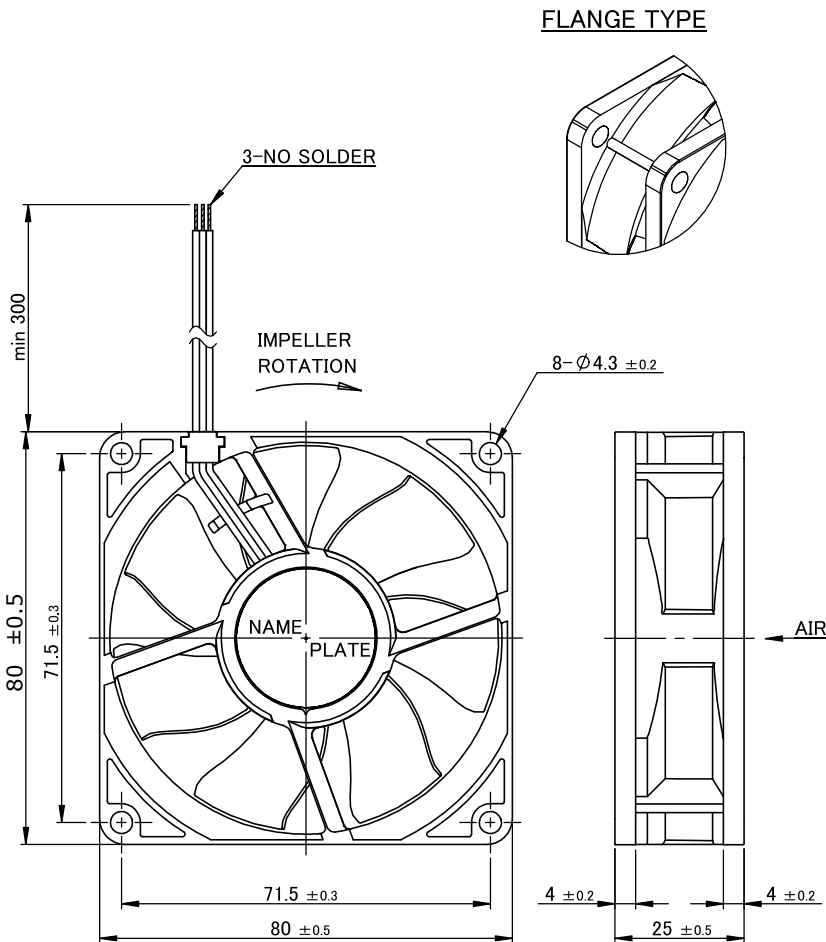
(Name Plate)



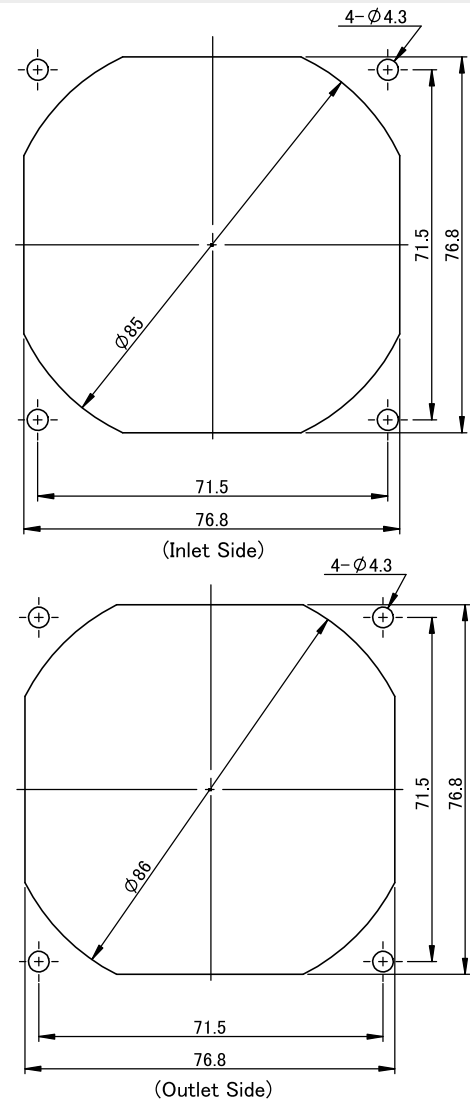
## Materials

**Casing:** Plastic (Black UL94V-0)  
**Impeller:** Plastic (Black UL94V-0)  
**Bearing:** Ball Bearing  
**Lead Wire:** (+): Red (-) Black  
 Tacho: White

(Outline)



(Panel Out-line)



\*Install the fans with rotor impeller facing up or in vertical position to avoid water accumulation in the rotor cup.  
 \*IP protection does not provide long term reliability guarantee.

## X-ON Electronics

Largest Supplier of Electrical and Electronic Components

*Click to view similar products for [DC Fans](#) category:*

*Click to view products by [MinebeaMitsumi](#) manufacturer:*

Other Similar products are found below :

[F1238H24B-FHR](#) [F1238X24B1-FSR-TTL](#) [PMD1204PBB1-A \(2\).GN](#) [AUB0612L](#) [F6025X12B1-RHR](#) [G4020H05B2-RSR-EM](#) [4318/12T](#)  
[AUB0912H-F00](#) [3412N/2ME](#) [W2G110-AM39-01](#) [USTF501005HW](#) [8412GLV](#) [8412NGL-12](#) [6448-384](#) [3258JH](#) [4114N/17-251](#) [4412F/2D](#)  
[OD127AP-28HTB](#) [424JMU](#) [3110KL-05W-B50-G00](#) [1608KL-04W-B29-L00](#) [EF40101BX-1000U-G99](#) [4414/2HH](#) [512F/2P-549](#) [4112](#)  
[N/12GL-175](#) [9GA0924L4021](#) [9GA0924M4021](#) [9GA0924M4011](#) [9GA0912M4D011](#) [9GA0924W4D01](#) [9GA0912F4021](#) [9GA0912H4D011](#)  
[9GA0824L20021](#) [9GA0824L20011](#) [9GA0812A2002](#) [9GA0812B2D001](#) [9GA0812L20021](#) [9WP1248M1021](#) [9GA0812A2D001](#)  
[9GA0824L2D001](#) [9GA0924W4D011](#) [9GA0912W402](#) [9GA0912M402](#) [9GA0824B2D001](#) [9GA0824A20021](#) [9GA0912W4021](#)  
[9GA0924W402](#) [9GA0812L2D0011](#) [9GA0812A20021](#) [9GA0824L2001](#)