

# 11938KA (4715KL)

## DC Axial Fan Ball Bearing

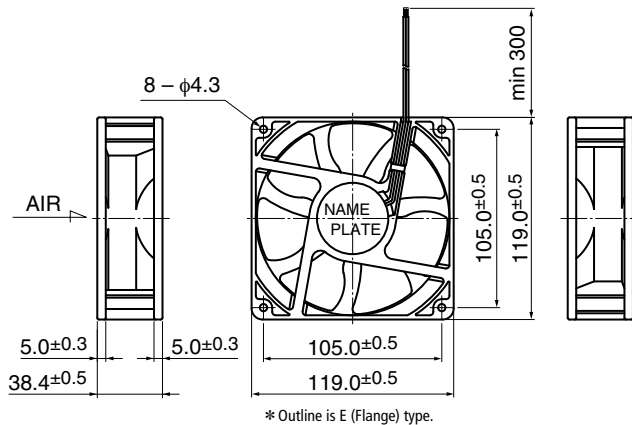
# 119<sup>□</sup>X38<sup>L</sup>



### General Specifications

Motor Protection	Auto Restart / Polarity Protection
Insulation Resistance	10MΩ or over with a DC500V Megger
Dielectric Withstand Voltage	AC700V 1s
Allowable Ambient	L, M Class : -10°C ~ +70°C (Operating)
Temperature Range	N Class : -10°C ~ +40°C (Operating) : -40°C ~ +70°C (Storage) non-condensing environment

### Outline

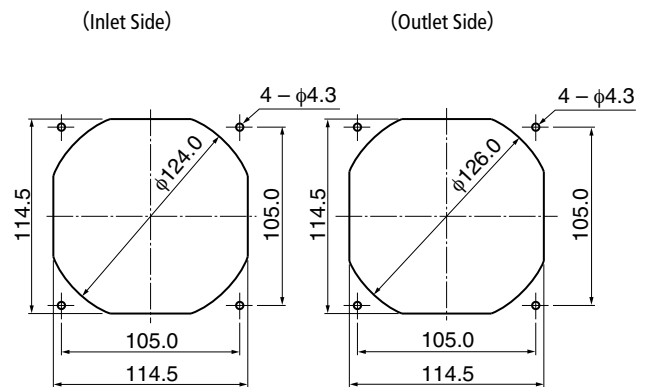


### Expected Life

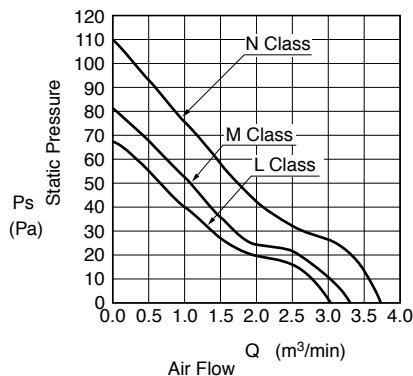
※ Failure Rate: 10% (L10 Life)

25°C 100,000 (Hours)

### Panel Out-cuts



### Characteristic Curves



### Material

Casing	: Plastic (Black) UL94V-0
Impeller	: Plastic (Black) UL94V-0
Bearing	: Ball Bearing
Lead Wire	: UL1007 AWG24 +: Red, -: Black

Customize service for IP compatible type and Oil-proof type is available for this item. Please contact to our sales representative for more detail.

### Specifications

□ = Casing Form --- A: Rib Type, E: Flange Type

Model	Product No.	Rating Voltage	Operating Voltage	Current	Input Power	Speed	Max. Air Flow		Max. Static Pressure		Noise	Mass
		(V)	(V)	(A)*1	(W)*1	(min <sup>-1</sup> )*1	(m <sup>3</sup> /min)*1	(CFM)*1	(Pa)*1	(In H <sub>2</sub> O)*1	(dB)*1	(g)
11938KA-12L-□A-	00	12	6.0 ~ 13.8	0.55	6.60	2950	3.07	108.4	68.1	0.27	42.5	260
11938KA-12M-□A-	00			0.70	8.40	3200	3.34	117.9	81.4	0.33	46.5	
11938KA-12N-□A-	00		9.5 ~ 12.6	1.00	12.00	3600	3.68	129.9	110.0	0.44	50.0	
11938KA-24L-□A-	00	24	10.0 ~ 27.6	0.31	7.44	2950	3.07	108.4	68.1	0.27	42.5	
11938KA-24M-□A-	00			0.35	8.40	3200	3.34	117.9	81.4	0.33	46.5	
11938KA-24N-□A-	00		18.0 ~ 25.0	0.50	12.00	3600	3.68	129.9	110.0	0.44	50.0	
11938KA-48L-□A-	00	48	25.0 ~ 55.2	0.16	7.68	2950	3.07	108.4	68.1	0.27	42.5	
11938KA-48M-□A-	00			25.0 ~ 50.0	0.20	9.60	3200	3.34	117.9	81.3	0.33	

Rotation: Clockwise as seen from the label side  
Airflow Outlet: Label side

\*1: Average Values in Free Air

## X-ON Electronics

Largest Supplier of Electrical and Electronic Components

*Click to view similar products for [DC Fans](#) category:*

*Click to view products by [MinebeaMitsumi](#) manufacturer:*

Other Similar products are found below :

[614R](#) [AUB0612L](#) [AFB0948HH-S687](#) [G2E085-AA05-10](#) [4318/12T](#) [AUB0912H-F00](#) [3412N/2ME](#) [W2G110-AM39-01](#) [8412GLV](#) [8412NGL-12](#) [6448-384](#) [4114N/17-251](#) [4318/2R](#) [4412F/2D](#) [424JMU](#) [4414/2HH](#) [4112 N/12GL-175](#) [9GA0912F402](#) [9GA0812B20011](#)  
[AFB0824SHBAV1](#) [DV5214/2NP-230](#) [9GA0912H4021](#) [THC1548MGDJJ](#) [9GA0812B2001](#) [GFB1224SHG](#) [8500NU](#) [9WG1212E101-E](#)  
[3241.124](#) [DC0401012V2B-3T0](#) [ASFP14391](#) [ASFP64371](#) [ASFP64391](#) [ASFP84391](#) [ASFP92391](#) [9A0612G402](#) [AD5012HB-C71](#)  
[AD5012MB-C71](#) [ASFP84372](#) [ASFP64372](#) [31100-000440-RS](#) [ASFP14372](#) [ASFP16371](#) [ASFP40770](#) [ASFP42770](#) [ASFP44770](#) [ASFP64392](#)  
[ASFP82392](#) [ASFP84392](#) [ASFP92371](#) [ASFP92392](#)