

11938TB (4715TS)

AC Axial Fan / Metal Blades

119[□]X38^L



General Specifications

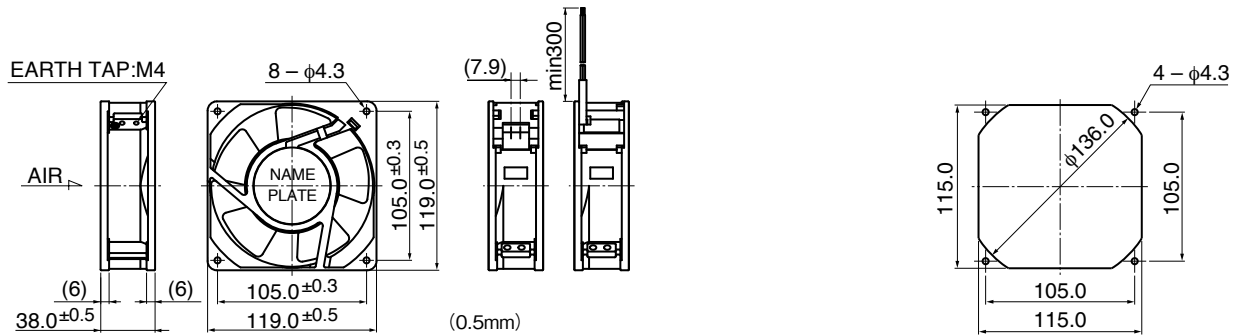
- Motor Structure : Shaded Pole Induction Motor
- Motor Protection : Thermal Protection
- Insulation Resistance : Min 100MΩ by DC 500V Megger
- Dielectric Withstand Voltage : AC1800V 3s
- Allowable Ambient : - 10°C ~ + 60°C (Operating)
- Temperature Range : - 40°C ~ + 70°C (Storage)
non-condensing environment

Expected Life ※ Failure Rate: 10% (L10 Life)
25°C 90,000 (Hours)

Outline

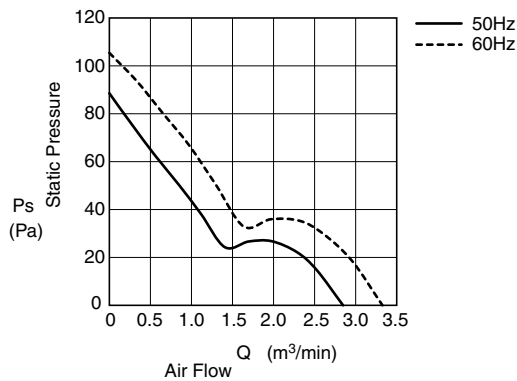
Panel Out-cuts

(Inlet Side) /Outlet Side)



* Only flange type casing is available.

Characteristic Curves



Material

- Casing : Aluminum (Black Painting)
- Impeller : Steel
- Bearing : Ball Bearing
- Terminal : Faston #110 or Equiv

* Please inquire regarding the potting type (dust & oil-proof type).

Lead Wire type is also available.
Lead Wire : UL3398 AWG22

Specifications

Model	Product No.	Rating Voltage	Frequency	Starting Voltage	Current	Input Power	Speed	Max. Air Flow		Max. Static Pressure		Noise	Mass
		(V)	(Hz)	(V)	(A)*2	(W) ^{+10% -20%}	(min ⁻¹)*3	(m ³ /min)*1	(CFM)*1	(Pa)*1	(In H ₂ O)*1	(dB)*1	(g)
11938TB-A0N-NP-	00	100	50	65	0.450	20.0	2600	2.80	100.0	88.0	0.35	46.0	610
			60		0.340	17.0	3100	3.30	117.9	100.0	0.40	50.0	
11938TB-A1N-NP-	00	115	50	75	0.390	21.0	2600	2.80	100.0	88.0	0.35	46.0	
			60		0.300	17.0	3100	3.30	117.9	100.0	0.40	50.0	
11938TB-B0N-NP-	00	200	50	130	0.220	21.0	2600	2.80	100.0	88.0	0.35	46.0	
			60		0.170	17.0	3100	3.30	117.9	100.0	0.40	50.0	
11938TB-B2N-NP-	00	220	50	145	0.200	20.0	2600	2.80	100.0	88.0	0.35	46.0	
			60		0.150	17.0	3100	3.30	117.9	100.0	0.40	50.0	
11938TB-B3N-NP-	00	230	50	175	0.190	21.0	2600	2.80	100.0	88.0	0.35	46.0	
			60		0.140	17.0	3100	3.30	117.9	100.0	0.40	50.0	
11938TB-B4N-NP-	00	240	50	175	0.180	20.0	2600	2.80	100.0	88.0	0.35	46.0	
			60		0.140	17.0	3100	3.30	117.9	100.0	0.40	50.0	

Rotation: Counterclockwise as seen from the label side
Airflow Outlet: Label side

*1: Average Values in Free Air
*2: Maximum Values in Free Air
*3: Minimum Values in Free Air

X-ON Electronics

Largest Supplier of Electrical and Electronic Components

Click to view similar products for [AC Fans](#) category:

Click to view products by [MinebeaMitsumi](#) manufacturer:

Other Similar products are found below :

[G9225S05B2-FSR](#) [A2D200-AA04-41](#) [A2E165-AA17-01](#) [AD0912HB-A7BGL](#) [144LS-2282-010](#) [1500-FAN-01](#) [25.001.1856.0](#) [25.350.5253.0](#)
[272DL-2LP11-000](#) [98XC-0182-000](#) [A2D210-AB10-05](#) [A2E170-AF23-01](#) [F1238S24BT-FSR](#) [23241-3](#) [25.000.1856.0](#) [25.000.2056.0](#)
[25.010.1856.0](#) [25.345.5353.0](#) [281DY-1LP14-000B](#) [298DM-2LP11-000](#) [298DS-2LP11-000A](#) [344DY-1LP11-000](#) [39.703.0253.0](#)
[USTF1203224VHW](#) [3915100996-SA3](#) [3G2C7MC224](#) [W2D200-HH04-07](#) [W2S130-AA03-43](#) [W2S130-AA25-97](#) [432703034611](#) [8856N](#)
[A4D315-AC20-02](#) [W4S250-CA20-56](#) [W2S130-AB03-09](#) [5900](#) [C45-A7](#) [TAC12025230MT](#) [8550A](#) [8560N](#) [8880A](#) [AD0405HB-G73\(9T\)](#)
[W2D200-CA04-52](#) [S4E450-AP01-02](#) [W2S130-AB25-10](#) [A4E330-AB18-09](#) [W2E250-DB05-52](#) [W4E315-CS22-70](#) [S4S250-BA02-20](#)
[S2D300-BP02-37](#) [W2S130-AB25-24](#)