

# 15038PB (5915PC)

## AC Axial Fan / Metal Blades

# 150X<sup>Φ</sup>172X38<sup>L</sup>

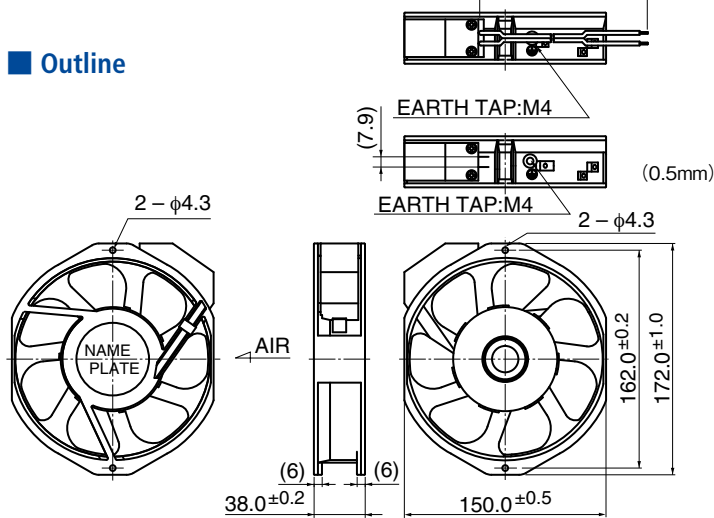


### General Specifications

Motor Structure	Capacitor-Run Induction Motor
Motor Protection	Thermal Protection
Insulation Resistance	Min 100MΩ by DC 500V Megger
Dielectric Withstand Voltage : AC1800V 3s	
Allowable Ambient Temperature Range	- 10°C ~ + 60°C (Operating) - 40°C ~ + 70°C (Storage) non-condensing environment

min 300(FROM CAPACITOR COVER)

### Outline



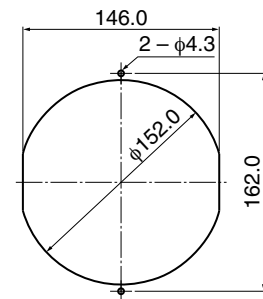
\* Only flange type casing is available.

### Expected Life ※ Failure Rate: 10% (L10 Life)

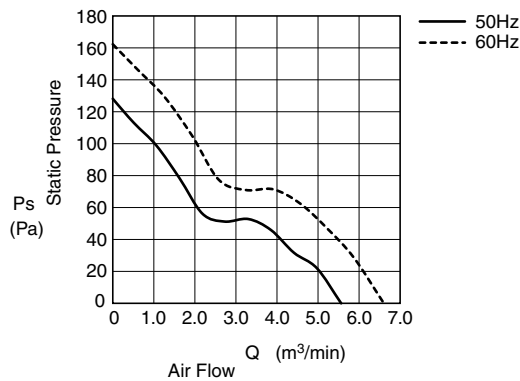
25°C 100,000 (Hours)

### Panel Out-cuts

(Inlet Side) / (Outlet Side)



### Characteristic Curves



### Material

Casing	: Aluminum (Black Painting)
Impeller	: Steel
Bearing	: Ball Bearing
Terminal	: Faston #110 or Equiv

\* Please inquire regarding the potting type (dust & oil-proof type).

Lead Wire type is also available.

Lead Wire : SPT-1 2X0.824mm<sup>2</sup> AWG18

### Specifications

Model	Product No.	Rating Voltage	Frequency	Starting Voltage	Current	Input Power	Speed	Max. Air Flow		Max. Static Pressure		Noise	Mass
		(V)	(Hz)	(V)	(A)*2	(W) <sup>+10% -20%</sup>	(min <sup>-1</sup> )*3	(m <sup>3</sup> /min)*3	(CFM)*3	(Pa)*1	(In H <sub>2</sub> O)*1	(dB)*1	(g)
15038PB-A0L-EPS-	0	100	50	65	0.530	42.0	2650	5.30	189.3	127.5	0.51	48.0	900
			60		0.450	40.0	3150	6.30	225.0	163.8	0.66	53.0	
15038PB-A1L-EPS-	0	115	50	75	0.450	40.0	2650	5.30	189.3	127.5	0.51	48.0	
			60		0.400	38.0	3150	6.30	225.0	163.8	0.66	53.0	
15038PB-B0L-EPS-	0	200	50	130	0.250	42.0	2650	5.30	189.3	127.5	0.51	48.0	
			60		0.230	40.0	3150	6.30	225.0	163.8	0.66	53.0	
15038PB-B2L-EPS-	0	220	50	145	0.250	42.0	2650	5.30	189.3	127.5	0.51	48.0	
			60		0.230	40.0	3150	6.30	225.0	163.8	0.66	53.0	
15038PB-B3L-EPS-	0	230	50	150	0.220	42.0	2650	5.30	189.3	127.5	0.51	48.0	
			60		0.200	40.0	3150	6.30	225.0	163.8	0.66	53.0	
15038PB-B4L-EPS-	0	240	50	155	0.200	39.0	2650	5.30	189.3	127.5	0.51	48.0	
			60		0.200	39.0	3150	6.30	225.0	163.8	0.66	53.0	

Rotation: Counterclockwise as seen from the label side  
Airflow Outlet: Label side

\*1: Average Values in Free Air  
\*2: Maximum Values in Free Air  
\*3: Minimum Values in Free Air

# 15038PB (5915PC)

## AC Axial Fan / Plastic Blades

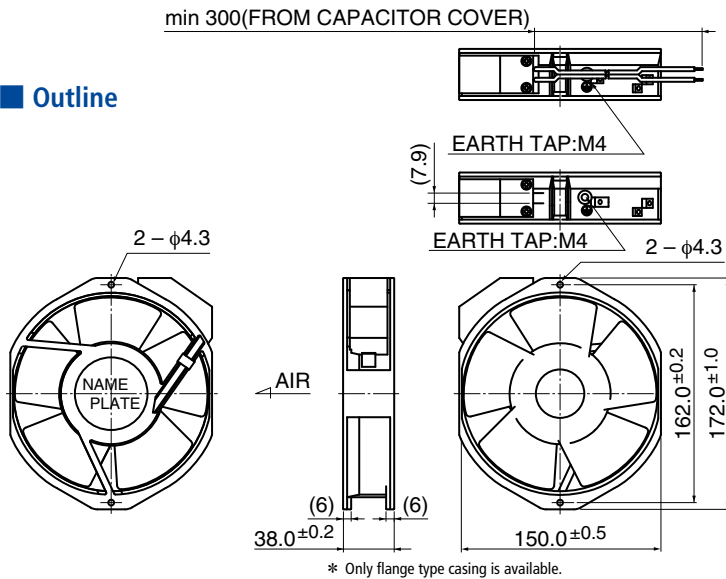
# 150X<sup>Φ</sup>172X38<sup>L</sup>



### General Specifications

- Motor Structure : Capacitor-Run Induction Motor
- Motor Protection : Thermal Protection
- Insulation Resistance : Min 100MΩ by DC 500V Megger
- Dielectric Withstand Voltage : AC1800V 3s
- Allowable Ambient Temperature Range : - 10°C ~ + 70°C (Operating)  
- 40°C ~ + 70°C (Storage)  
non-condensing environment

### Outline

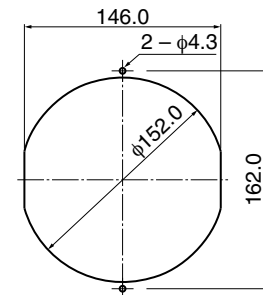


**Expected Life** ※ Failure Rate: 10% (L10 Life)  
25°C 100,000 (Hours)

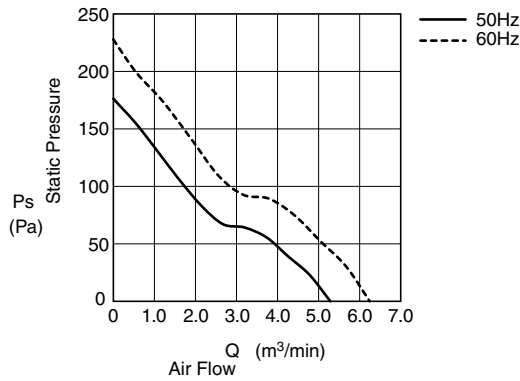
### Panel Out-cuts

(Inlet Side) / (Outlet Side)

(0.5mm)



### Characteristic Curves



### Material

- Casing : Aluminum (Black Painting)
- Impeller : Plastic (Black) UL94V-0
- Bearing : Ball Bearing
- Terminal : Faston #110 or Equiv

\* Potting type (dust & water-proof type) is also available.

Lead Wire type is also available.  
Lead Wire : SPT-1 2X0.824mm<sup>2</sup> AWG18

### Specifications

Model	Product No.	Rating Voltage	Frequency	Starting Voltage	Current	Input Power	Speed	Max. Air Flow		Max. Static Pressure		Noise	Mass
		(V)	(Hz)	(V)	(A) <sup>*2</sup>	(W) <sup>+10% -20%</sup>	(min <sup>-1</sup> ) <sup>*3</sup>	(m <sup>3</sup> /min) <sup>*3</sup>	(CFM) <sup>*3</sup>	(Pa) <sup>*3</sup>	(In H <sub>2</sub> O) <sup>*3</sup>	(dB) <sup>*1</sup>	(g)
15038PB-A0L-EP-	00	100	50	65	0.470	37.0	2700	5.00	178.6	156.9	0.63	52.0	800
			60		0.440	33.0	3200	6.00	214.3	215.8	0.86	56.0	
15038PB-A1L-EP-	00	115	50	75	0.380	35.0	2700	5.00	178.6	156.9	0.63	52.0	
			60		0.360	32.0	3200	6.00	214.3	215.8	0.86	56.0	
15038PB-B0L-EP-	00	200	50	130	0.230	34.0	2700	5.00	178.6	156.8	0.63	52.0	
			60		0.210	33.0	3200	6.00	214.3	215.6	0.86	56.0	
15038PB-B2L-EP-	00	220	50	145	0.210	40.0	2700	5.00	178.6	156.9	0.63	52.0	
			60		0.180	38.0	3200	6.00	214.3	215.8	0.86	56.0	
15038PB-B3L-EP-	00	230	50	145	0.190	35.0	2700	5.00	178.6	157.0	0.63	52.0	
			60		0.180	35.0	3200	6.00	214.3	215.8	0.86	56.0	
15038PB-B4L-EP-	00	240	50	155	0.180	34.0	2700	5.00	178.6	156.9	0.63	52.0	
			60		0.170	34.0	3200	6.00	214.3	215.7	0.86	56.0	

Rotation: Counterclockwise as seen from the label side  
Airflow Outlet: Label side

\*1: Average Values in Free Air  
\*2: Maximum Values in Free Air  
\*3: Minimum Values in Free Air

## X-ON Electronics

Largest Supplier of Electrical and Electronic Components

*Click to view similar products for [AC Fans](#) category:*

*Click to view products by [MinebeaMitsumi](#) manufacturer:*

Other Similar products are found below :

[F1238H24B-FHR](#) [G9225S05B2-FSR](#) [A2D200-AA04-41](#) [A2E165-AA17-01](#) [AD0912HB-A7BGL](#) [1500-FAN-01](#) [25.001.1856.0](#)  
[25.320.1353.1](#) [25.320.4753.1](#) [25.320.5453.1](#) [25.330.1353.1](#) [25.330.4853.1](#) [25.330.5153.1](#) [25.330.5353.1](#) [25.340.1053.1](#) [25.350.5253.0](#)  
[25.600.4053.0](#) [272DL-2LP11-000](#) [A2D210-AB10-05](#) [A2D250-AE22-06](#) [A2E170-AF23-01](#) [F1238S24BT-FSR](#) [23241-3](#) [25.000.1856.0](#)  
[25.000.2056.0](#) [25.010.1856.0](#) [25.332.2453.1](#) [25.340.0453.1](#) [25.345.5353.0](#) [281DY-1LP14-000B](#) [298DM-2LP11-000](#) [298DS-2LP11-000A](#)  
[344DY-1LP11-000](#) [39.703.0253.0](#) [USTF1203224VHW](#) [3G2C7MC224](#) [W2S130-AA03-43](#) [W2S130-AA25-97](#) [8856N](#) [A4D315-AC20-02](#)  
[A2E170-AF23-11](#) [W2S130-AB03-09](#) [8550A](#) [8560N](#) [8880A](#) [S4D300-AR34-17](#) [S2E250-AE31-08](#) [AD0405HB-G73\(9T\)](#) [CENT-2000-FFTM](#)  
[CENT-2000-RFTM](#)