



## General Specifications

### Motor Protection:

Auto Restart/Polarity Protection

**Insulation Resistance:** 10M Ω or over with a DC500V Megger

**Dielectric Withstand Voltage:** AC 700V 1s

### Allowable Ambient Temperature Range:

-10°C ~ +70°C (Operating)

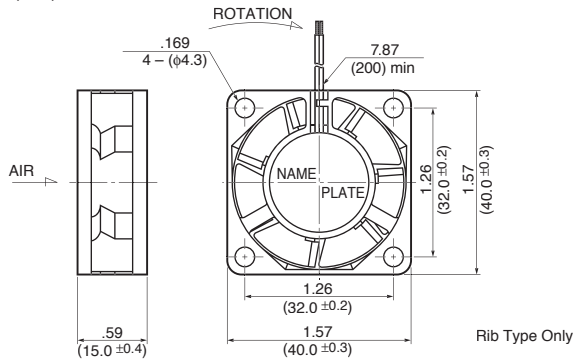
-40°C ~ +70°C (Storage)

(non-condensing environment)

For New Designs we Recommend  
New Sleeve Bearing Fan Series  
**04015SS**

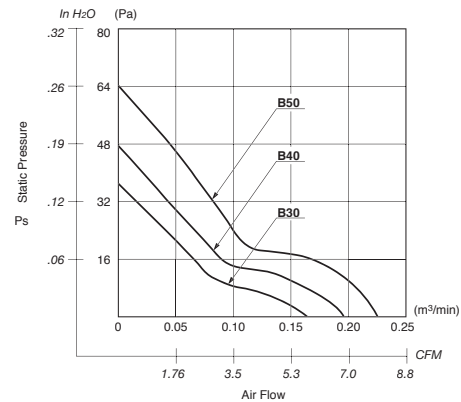
## Outline

Units:  $\frac{\text{inch}}{\text{mm}}$

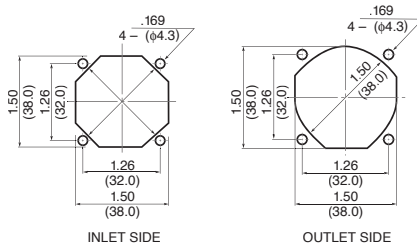


Rib Type Only

## Characteristic Curves



## Panel Cut-outs



INLET SIDE

OUTLET SIDE

## Material

Casing : Plastic (Black) 94V-0

Impeller : Plastic (Black) 94V-0

Bearing : Ball Bearing

Lead Wire: UL1061, AWG26, +Red, -Black

## Specifications

MODEL	Product No.	Rated Voltage	Operating Voltage	Current	Input Power	Speed	Max. Air Flow		Max. Static Pressure		Noise	Mass
		(V)	(V)	(A) <sup>*1</sup>	(W) <sup>*1</sup>	(min <sup>-1</sup> ) <sup>*1</sup>	CFM <sup>*1</sup>	(m <sup>3</sup> /min) <sup>*1</sup>	in H <sub>2</sub> O	(Pa) <sup>*1</sup>	(dB) <sup>*1</sup>	(g)
1606KL-01W-B30-	X00	5	4.5 ~ 5.5	0.120	0.600	6000	6.0	0.17	.145	36.3	28.0	20
1606KL-01W-B40-	X00	5	4.5 ~ 5.5	0.150	0.750	7000	7.0	0.20	.188	47.1	31.0	20
1606KL-01W-B50-	X00	5	4.5 ~ 5.5	0.240	1.200	8000	8.1	0.23	.250	62.8	34.0	20
1606KL-04W-B30-	X00	12	10.2 ~ 13.8	0.067	0.804	6000	6.0	0.17	.145	36.3	28.0	20
1606KL-04W-B40-	X00	12	10.2 ~ 13.8	0.075	0.900	7000	7.0	0.20	.188	47.1	31.0	20
1606KL-04W-B50-	X00	12	10.2 ~ 13.8	0.085	1.020	8000	8.1	0.23	.250	62.8	34.0	20
1606KL-05W-B30-	X00	24	22.0 ~ 25.2	0.045	1.080	6000	6.0	0.17	.145	36.3	28.0	20
1606KL-05W-B40-	X00	24	22.0 ~ 25.2	0.054	1.296	7000	7.0	0.20	.188	47.1	31.0	20
1606KL-05W-B50-	X00	24	22.0 ~ 25.2	0.062	1.488	8000	8.1	0.23	.250	62.8	34.0	20

Rotation: Clockwise

Airflow Outlet: Air Out Over Struts

\*1: Average Values in Free Air

## X-ON Electronics

Largest Supplier of Electrical and Electronic Components

*Click to view similar products for [DC Fans](#) category:*

*Click to view products by [MinebeaMitsumi](#) manufacturer:*

Other Similar products are found below :

[614R](#) [AUB0612L](#) [AFB0948HH-S687](#) [G2E085-AA05-10](#) [4318/12T](#) [AUB0912H-F00](#) [3412N/2ME](#) [W2G110-AM39-01](#) [8412GLV](#) [8412NGL-12](#) [6448-384](#) [4114N/17-251](#) [4318/2R](#) [4412F/2D](#) [424JMU](#) [4414/2HH](#) [4112 N/12GL-175](#) [9GA0912F402](#) [9GA0812B20011](#)  
[AFB0824SHBAV1](#) [DV5214/2NP-230](#) [9GA0912H4021](#) [THC1548MGDJJ](#) [9GA0812B2001](#) [GFB1224SHG](#) [8500NU](#) [9WG1212E101-E](#)  
[3241.124](#) [DC0401012V2B-3T0](#) [ASFP14391](#) [ASFP64371](#) [ASFP64391](#) [ASFP84391](#) [ASFP92391](#) [9A0612G402](#) [AD5012HB-C71](#)  
[AD5012MB-C71](#) [ASFP84372](#) [ASFP64372](#) [31100-000440-RS](#) [ASFP14372](#) [ASFP16371](#) [ASFP40770](#) [ASFP42770](#) [ASFP44770](#) [ASFP64392](#)  
[ASFP82392](#) [ASFP84392](#) [ASFP92371](#) [ASFP92392](#)