

General Specifications

Motor Protection:

Auto Restart/Polarity Protection

Insulation Resistance:

10M Ω or over with a DC500V Megger

Dielectric Withstand Voltage: AC 700V 1s

Allowable Ambient Temperature Range:

N Class: -10°C ~ +50°C (Operating)
 L, M Class: -10°C ~ +60°C (Operating)
 All Class: -40°C ~ +60°C (Storage)
 (non-condensing environment)

Expected Life

25°C 70,000 Hours (B00)

Material

Casing : Plastic (Black) UL94V-0

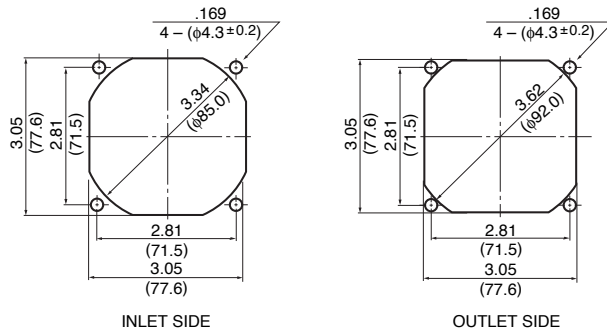
Impeller : Plastic (Black) UL94V-0

Bearing : Ball Bearing

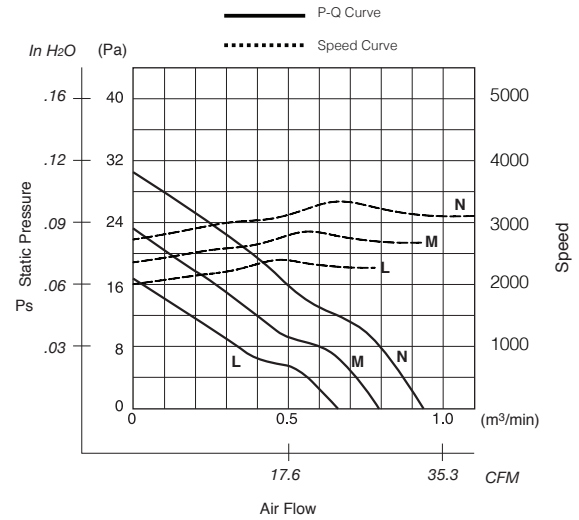
Lead Wire : UL1007, AWG26, +Red, -Black

Panel Cut-Outs

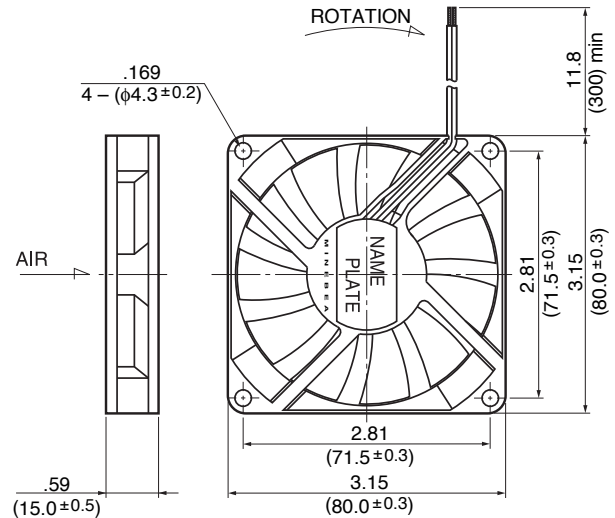
Units: $\frac{\text{inch}}{\text{mm}}$



Characteristic Curves



Outline



Specifications

MODEL	LEGACY P/N	Rated Voltage	Operating Voltage	Current	Input Power	Speed	Max. Air Flow		Max. Static Pressure		Noise	Mass
		(V)	(V)	(A) ^{*1}	(W) ^{*1}	(min ⁻¹) ^{*1}	CFM ^{*1}	(m ³ /min) ^{*1}	in H ₂ O	(Pa) ^{*1}	(dB) ^{*1}	(g)
08015KA-12L-AA-00	3106KL-04W-B30-B00	12	6.0 ~ 13.8	0.11	1.32	2200	23.3	0.66	.06	16.0	26.0	50
08015KA-12M-AA-00	3106KL-04W-B40-B00	12	6.0 ~ 13.8	0.17	2.04	2600	28.2	0.80	.09	22.5	30.0	50
08015KA-12N-AA-00	3106KL-04W-B50-B00	12	6.0 ~ 13.0	0.23	2.76	3000	32.8	0.93	.12	30.0	34.0	50
08015KA-24L-AA-00	3106KL-05W-B30-B00	24	10.0 ~ 27.6	0.07	1.68	2200	23.3	0.66	.06	16.0	26.0	50
08015KA-24M-AA-00	3106KL-05W-B40-B00	24	10.0 ~ 27.6	0.09	2.16	2600	28.2	0.80	.09	22.5	30.0	50
08015KA-24N-AA-00	3106KL-05W-B50-B00	24	10.0 ~ 27.6	0.12	2.88	3000	32.8	0.93	.12	30.0	34.0	50

Rotation: Clockwise

Airflow Outlet: Air Out Over Struts

*1: Average Values in Free Air

Note: PWM/Locked Rotor/Tach Available

X-ON Electronics

Largest Supplier of Electrical and Electronic Components

Click to view similar products for [DC Fans](#) category:

Click to view products by [MinebeaMitsumi](#) manufacturer:

Other Similar products are found below :

[614R](#) [AUB0612L](#) [AFB0948HH-S687](#) [G2E085-AA05-10](#) [4318/12T](#) [AUB0912H-F00](#) [3412N/2ME](#) [W2G110-AM39-01](#) [8412GLV](#) [8412NGL-12](#) [6448-384](#) [4114N/17-251](#) [4318/2R](#) [4412F/2D](#) [424JMU](#) [4414/2HH](#) [4112 N/12GL-175](#) [9GA0912F402](#) [9GA0812B20011](#)
[AFB0824SHBAV1](#) [DV5214/2NP-230](#) [9GA0912H4021](#) [THC1548MGDJJ](#) [9GA0812B2001](#) [GFB1224SHG](#) [8500NU](#) [9WG1212E101-E](#)
[3241.124](#) [DC0401012V2B-3T0](#) [ASFP14391](#) [ASFP64371](#) [ASFP64391](#) [ASFP84391](#) [ASFP92391](#) [9A0612G402](#) [AD5012HB-C71](#)
[AD5012MB-C71](#) [ASFP84372](#) [ASFP64372](#) [31100-000440-RS](#) [026758A](#) [514F](#) [MEC0381V1-000U-G99](#) [4292](#) [MF60152V1-1000U-G99](#)
[3610KL-04W-B50-D00](#) [109P0412K3023](#) [EE92251B1-000U-F99](#) [8218J/2H4P](#) [PF60381B1-000U-S99](#)