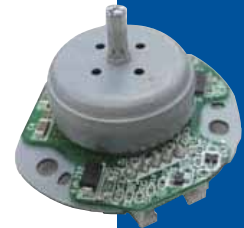


Characteristic

- Driver circuit built-in
- Driver IC
1 chip IC is mounted.
- Connection
 - Connector 5pin
 - JST : S5B-PH-K
- Interface (5 terminals)
 - Power Supply ... 10 ~ 28V
 - GND
 - FG ... 6 pulses per rotation
 - 0 ~ 0.3V Open drain out-put
 - 0.3 ~ 7V Absolute maximum rating (IFG 5mA)
 - PWM ... Rotational speed adjustment terminal, High active
 - High (2 ~ 5V) : Motor ON, Low (0 ~ 0.8V) : Motor OFF
 - PWM frequency : 15kHz ~ 30kHz
 - 0.3 ~ 5.5V Absolute maximum rating
 - FR ... CW / CCW switch
 - High (2 ~ 5V) : CW, Low (0 ~ 0.8V) : CCW (viewed from output shaft)
 - 0.3 ~ 5.5V Absolute maximum rating

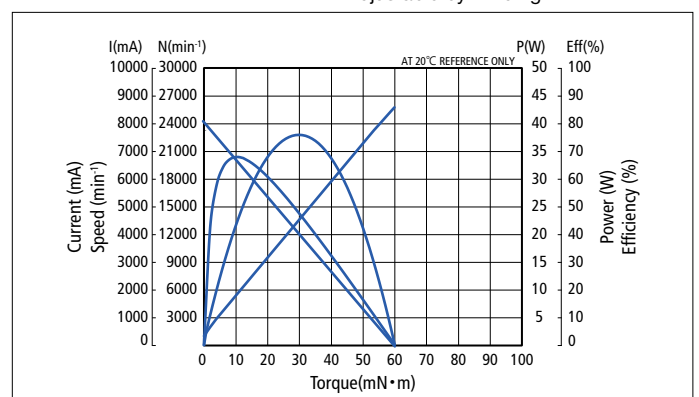


■ 3 Phase 12 poles outer rotor type DC Brushless Motor

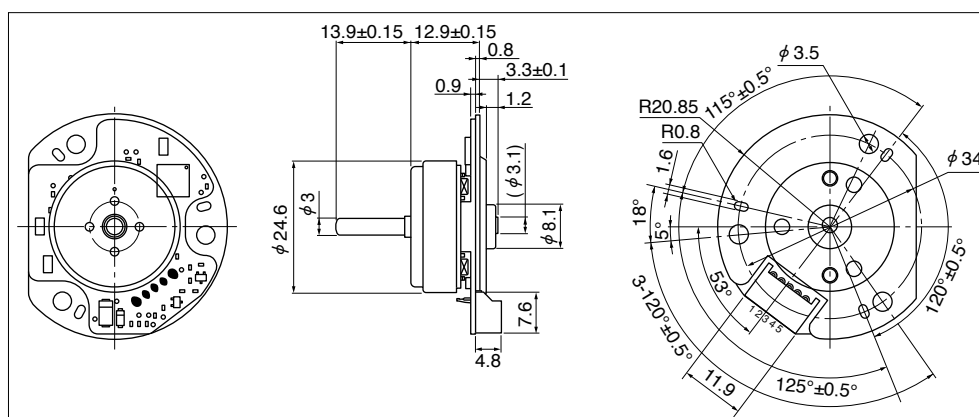
Major Characteristic Parameters (at 12V)

Item	Specification
No load speed	24000 [min ⁻¹]
Maximal efficiency	67 [%] (at 10mN·m)
Speed at maximal efficiency	20000 [min ⁻¹]
Continuous operation range	< 2A rms

※ Adjustable by winding



Outside Dimension (Reference)



Please contact our sales for detail specification & order lot QTY. (All custom product by customer's requirement)

X-ON Electronics

Largest Supplier of Electrical and Electronic Components

Click to view similar products for [Motor/Motion/Ignition Controllers & Drivers](#) category:

Click to view products by [MinebeaMitsumi](#) manufacturer:

Other Similar products are found below :

[10](#) [100005](#) [0003](#) [1107460](#) [26700](#) [418581EB](#) [418582CB](#) [4489](#) [707003F](#) [9724](#) [A3906SESTR-T](#) [A3908EEETR-T](#) [A3930KJPTR-T](#)
[A3967SLBTR-T](#) [A3979SLPTR-T](#) [A4933KJPTR-T](#) [A4949GLJTR-T](#) [A4950ELJTR-T](#) [A4954ELPTR-T](#) [A4959GLPTR-T](#) [A4985SESTR-T](#)
[A4987SLPTR-T](#) [A4988SETTR-T](#) [A4990 FOR ARDUINO](#) [A5932GESSR-T](#) [ADT7476ARQZ-REEL](#) [ADT7490ARQZ-REEL](#) [AH286-PL-B](#)
[AH293-PL-B](#) [AH2984-PG-B](#) [AH2985-P-B](#) [AH5772-P-B](#) [AH5773-FDC-7](#) [AH5773-MP-13](#) [AH5775-P-B](#) [AH9485-WUF-7](#) [AH9486-WUF-7](#)
[AiP6150](#) [AM4406FMTR-G1](#) [AM4962GHTR-G1](#) [AMC6821SDBQ](#) [AMC6821SDBQR](#) [AMIS-30543 STEPPER MOTOR DRIVER CARRIER](#)
[AMIS30621C6213G](#) [AMIS30623C6238G](#) [AMIS30624C6245RG](#) [AN44063A-VF](#) [AN44069A-VF](#) [AP1511B](#) [APX284EI-PBG](#) [APX9166EI-](#)
[PBG](#) [APX9358PQFI-TRG](#)