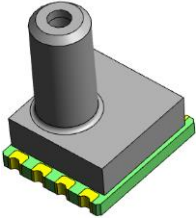


Digital Output Gage Pressure Sensor

MMR906 Data Sheet

DESCRIPTION



The MMR906 digitally outputs a pressure value which was corrected. Customers need no correction because it corrects and outputs the differences of sensors and temperature characteristics. It does not require complicated sensor drive or control circuit, and devices with high performance can be made only with this module and an external microcontroller which will be the host.

FEATURES

- Small package: 5.0(W) × 6.0(D) × 7.2(H)mm
- Operating pressure range: -30~360mmHg (-4~47.99kPa).
- Effective resolution: 0.025mmHgRMS (3.4PaRMS) (at MODE1)
- Pressure measurement error (With OffsetCancel):±2.0mmHg(±267Pa)
Pressure measurement error (With UserCalibration):±1.0mmHg(±133pa)
- It corrects the differences of sensors and temperature characteristics when shipped from our factory.
- It digitally outputs pressure value by a built-in sequencer (SPI)
- Noise reduction is possible by a built-in second order LowPassFilter.

INDEX

DESCRIPTION	1
FEATURES	1
BLOCK DIAGRAM.....	3
PIN CONFIGURATION.....	4
TERMINAL EXPLANATIONS	5
ABSOLUTE MAXIMUM RATINGS	6
RECOMMENDED OPERATING CONDITIONS	6
ELECTRICAL CHARACTERISTICS	7
Analog characteristics	7
I/O Digital I/O.....	7
Pressure sensor characteristics.....	8
Temperature sensor characteristics	8
Definition of characteristics	9
FUNCTION EXPLANATION.....	11
Function Outline.....	11
Flow chart of pressure/temperature measurement.....	12
Product code.....	13
SERIAL COMMUNICATION INTERFACE	14
Baud rate.....	14
SPI format	15
Baud rate.....	17
Command	18
State transition table	20
Timing Chart.....	21
TYPICAL APPLICATION CIRCUIT	21
TYPICAL PERFORMANCE CHARACTERISTICS	22
DIMENSIONS	27
MARKING CONTENTS	28
PRODUCT NAME.....	29
PRODUCT LINEUP	29
PRESSURE SENSOR LINEUP	30
NOTES.....	31
Safety Precautions.....	31
Application considerations during actual circuit design	31
Precautions for Foreign Exchange and Foreign Trade Control Act	32
Prohibitions for Industrial Property Rights	32
Precautions for Product Liability Act.....	32
Others	32
ATTENTION	32
ADDDITIONAL NOTES.....	32
PACKING SPECIFICATIONS (TRAY)	33
QUANTITY	33
PACKING SPECIFICATIONS.....	33
PACKING SPECIFICATIONS (TAPING, R HOUSING)	38
QUANTITY	38
PACKING SPECIFICATIONS.....	38
CONDITION FOR PACKAGE MOUNTING.....	44
Design example of mount pad.....	44
Pb-Free recommended profile condition	45
Storage method	46

BLOCK DIAGRAM

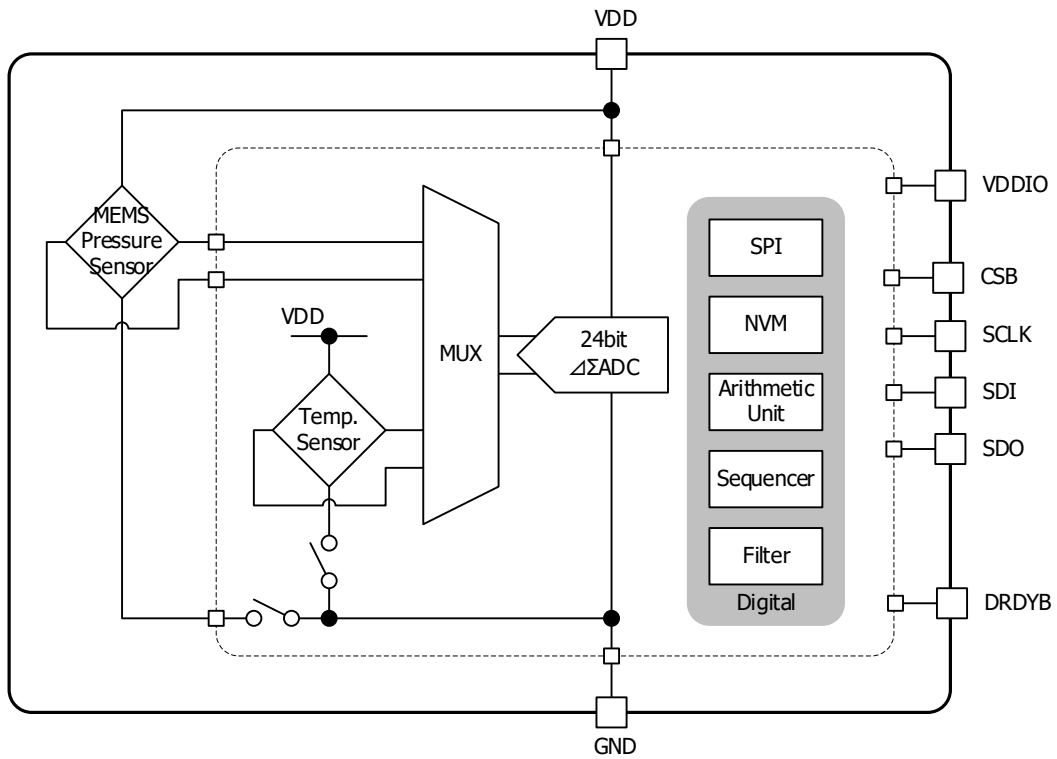


Fig. 1 Block diagram

PIN CONFIGURATION

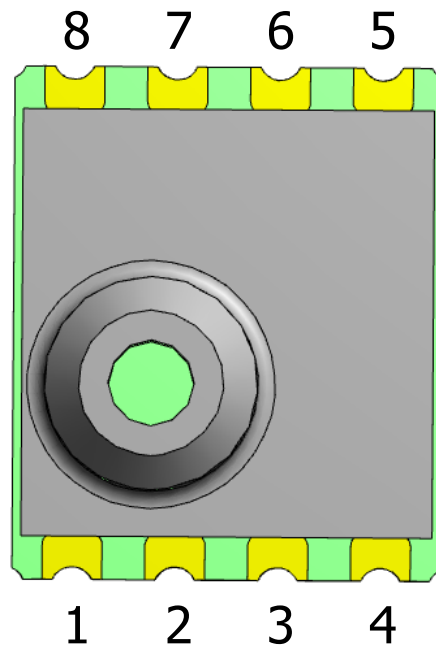


Fig. 2 Pin configuration (Top view)

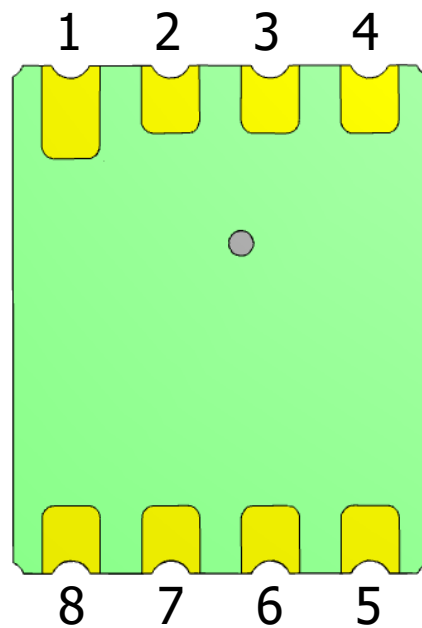


Fig. 3 Pin configuration (Bottom view)

TERMINAL EXPLANATIONS

Table 1 Pin table

No.	Pin Name	Type	Function
1	SCLK	I	Serial clock (SCLK)
2	DRDYB	O	Output terminal which notifies the completion of pressure measurement and calculation correction (negative logic)
3	VDD	I	Power-supply for analog circuit
4	VDDIO	I	Power-supply for digital I/O
5	GND	-	GND
6	CSB	I	Chip select
7	SDO	O	Serial Data Output(SDO=MISO)
8	SDI	I	Serial Data Input(SDI=MOSI)

ABSOLUTE MAXIMUM RATINGS

(unless otherwise specified, Ta=25°C)

Item	Symbol	Min.	Max.	Unit
Storage temperature range	T _{STG}	-20	70	°C
Analog supply voltage	VDD _{MAX}	-0.3	4.0	V
Digital I/O voltage	VDDIO _{MAX}	-0.3	4.0	V
Overpressure	P _{MAX}	-100 (-13.33)	600 (80)	mmHg (kPa)
Pressure medium (note ¹)	-	AIR (non-condensing)		-

note¹: Storage and operation in an environment of dry and non-corrosive gases.

RECOMMENDED OPERATING CONDITIONS

(unless otherwise specified, Ta=25°C)

Item	Symbol	Min.	Typ.	Max.	Unit
Operating temperature range	T _{OPR}	0	-	60	°C
Analog supply voltage	VDD _{OPR}	1.7	3.0	3.6	V
Digital I/O voltage	VDDIO _{OPR}	1.14	-	3.6	V
Operating pressure range	P _{OPR}	-30 (-4)	-	360 (47.99)	mmHg (kPa)

ELECTRICAL CHARACTERISTICS

Analog characteristics
(unless Ta=25°C, VDD=VDDIO=3.0V)

Item	Symbol	Condition	Min.	Typ.	Max.	Unit.
VDD Current consumption	I_{VDDact}	Pressure measure active	510	640	770	μA
	I_{VDDsd}	Shutdown	-	0.01	0.1	
VDDIO Current consumption	$I_{VDDIOact}$	Pressure measure active	1.2	1.8	2.4	μA
	$I_{VDDIOsd}$	Shutdown	-	0.1	1.0	
Conversion time	t_{con1}	MODE1	15.250	15.625	16.000	msec
	t_{con2}	MODE2	7.73	7.92	8.11	
	t_{con3}	MODE3	3.97	4.07	4.17	
	t_{con4}	MODE4	241	247	253	

I/O Digital I/O

(unless otherwise specified, Ta=25°C, VDD=1.7~3.6V, VDDIO=1.14~3.6V)

Item	Symbol	Conditions	Min.	Typ.	Max.	Unit
High level input voltage	V_{IH}	-	$0.8 \times V_{DDIO}$	-	$V_{DDIO} + 0.3$	V
Low level input voltage	V_{IL}	-	-0.3	-	$0.2 \times V_{DDIO}$	V
Output voltage High level	V_{OH1}	$V_{DDIO} \geq 2.0V$ $I_{OH} = -3mA$	$V_{DDIO} - 0.4$	-	-	V
	V_{OH2}	$V_{DDIO} < 2.0V$ $I_{OH} = -1mA$	$0.8 \times V_{DDIO}$	-	-	V
Output voltage Low level	V_{OL1}	$V_{DDIO} \geq 2.0V$ $I_{OL} = 3mA$	-	-	0.4	V
	V_{OL2}	$V_{DDIO} < 2.0V$ $I_{OL} = 1mA$	-	-	$0.2 \times V_{DDIO}$	V

Pressure sensor characteristics

(unless otherwise specified, Ta=25°C, VDD=3.0V, VDDIO=1.14~3.6V)

Item	Symbol	Condition	Min.	Typ.	Max.	Unit
Pressure resolution	P _{Res}	-	-	0.001	-	mmHg
Pressure effective resolution	P _{Eres1}	MODE1	-	0.025	0.050	mmHg RMS
	P _{Eres2}	MODE2	-	0.035	0.070	
	P _{Eres3}	MODE3	-	0.050	0.100	
	P _{Eres4}	MODE4 High Resolution Mode	-	0.007	0.014	
Pressure effective resolution (with LowPassFilter)	P _{Eres 1st}	MODE1 LowPassFilter 1st	-	0.016	-	mmHg RMS
	P _{Eres 1st + 2nd}	MODE1 LowPassFilter 1st	-	0.011	-	
Pressure measurement error (With OffsetCancel) (note ²)	P _{Err-off}	-10 ~ 330mmHg Ta = 0°C~50°C	-2	-	2	mmHg
Pressure measurement error (With UserCalibration) (note ²)	P _{Err-caliboff}	-10 ~ 330mmHg Ta = 0°C~50°C	-1	-	1	mmHg

note²: It can take advantage of the performance to the fullest by OffsetCancel, and UserCalibration.

Temperature sensor characteristics

(unless otherwise specified, Ta=25°C, VDD=3.0V, VDDIO=1.14~3.6V)

Item	Symbol	Conditions	Min.	Typ.	Max.	Unit
Temperature measurement error	T _{acc}	0°C~ 50°C	-2.0	-	2.0	°C

Definition of characteristics

Pressure measurement value P_{Result}

It is the device output value obtained by Read Pressure Result Command.

pressure resolution P_{Res}

This Value is equivalent to 1LSB of output digital value.

Pressure effective resolution P_{Eres}

Measure 16 points after the pressure output is stable, and it is the standard deviation of the 16 points.

Pressure offset P_{Off}

It is Pressure measurement value under no air pressure.

Pressure measurement value (With OffsetCancel) $P_{Result-off}$

It is the value that subtracted a Pressure offset from Pressure measurement value.

Equation

$$P_{Result-off} = P_{Result} - P_{Off} \dots\dots\dots(Eq1)$$

P_{Result} : Pressure measurement value

P_{Off} : Pressure measurement value under no air pressure.

For set operation, Assume that set will get it again each time under no air pressure.

Pressure measurement value (With UserCalibration) $P_{Result-calib}$

It is the Pressure measurement value with UserCalibration.

Equation

$$P_{Result-calib} = (P_{Result} - P_{Off}) \times Ratio \dots\dots\dots(Eq2)$$

$$Ratio = (P_{max} - P_{min}) / (P_{Result-max} - P_{Result-min}) \dots\dots\dots(Eq3)$$

P_{Result} : Pressure measurement value

P_{Off} : Pressure measurement value under no air pressure.

For set operation, Assume that set will get it again each time under no air pressure.

Ratio : Calibration ratio.

Please obtain and calculate it after device mounting, and store it in ROM of MCU

P_{max} : Max pressure

P_{min} : Min pressure

$P_{Result-max}$: Pressure measurement value at Max pressure

$P_{Result-min}$: Pressure measurement value at Min pressure

Pressure measurement error P_{Err}

It is the deviation amount of the Pressure measurement value from the ideal line.

Pressure measurement error (With OffsetCancel) $P_{Err-off}$

It is the deviation amount of the Pressure measurement value with OffsetCancel from the ideal line.

Pressure measurement error (With UserCalibration) $P_{Err-calib}$

It is the deviation amount of the measurement value with UserCalibration from the ideal line.

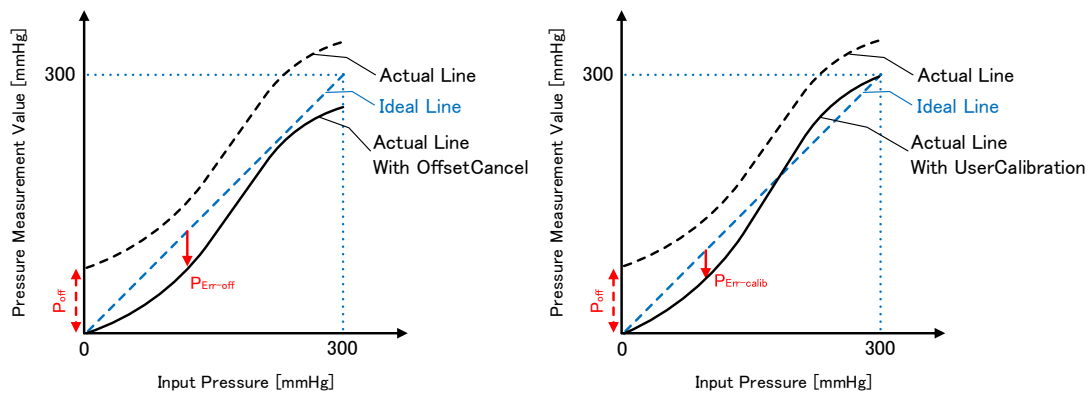


Fig. 4 Definition of Characteristics

FUNCTION EXPLANATION

Function Outline

The MMR906 is consists of piezoresistive pressure sensor and an analog front end IC.

It converts analog output voltage from piezoresistive pressure sensor to digital value of 24 bits, and corrects and outputs variations of sensor characteristics due to variations of temperature and process.

Conversion time and Pressure effective resolution are selectable with the mode of different four. Conversion time and Pressure effective resolution are in the relationship of trade-off. When measuring during pressurization by a pump, MODE1 is recommended.

Noise reduction is possible by a built-in second order LowPassFilter. Cutoff frequency is shown in Table.11-1.1. It is applied first step filter by Result Command 0xC4. It is applied first step and second step filter by Result Command 0xC6.

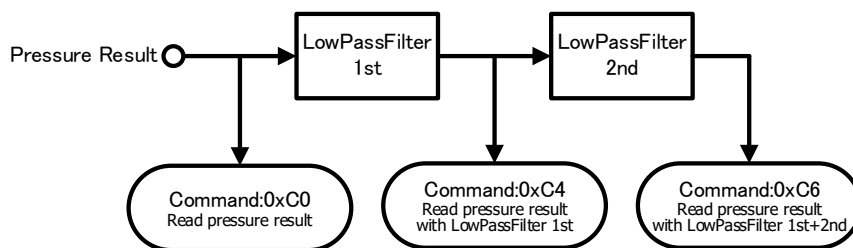


Fig. 5 LowPassFilter Configuration

Table 2 Cutoff Frequency

	1st fc[Hz]	2nd fc[Hz]
MODE1	10.14	5.07
MODE2	20.00	10.00
MODE3	38.92	19.47
MODE4	0.64	0.32

Table 3 example of Pressure effective resolution

	No filter [mmHgRMS]	1st [mmHgRMS]	1st+2nd [mmHgRMS]
MODE1	0.015	0.011	0.007
MODE2	0.021	0.015	0.009
MODE3	0.028	0.019	0.012
MODE4	0.008	0.007	0.007

Flow chart of pressure/temperature measurement

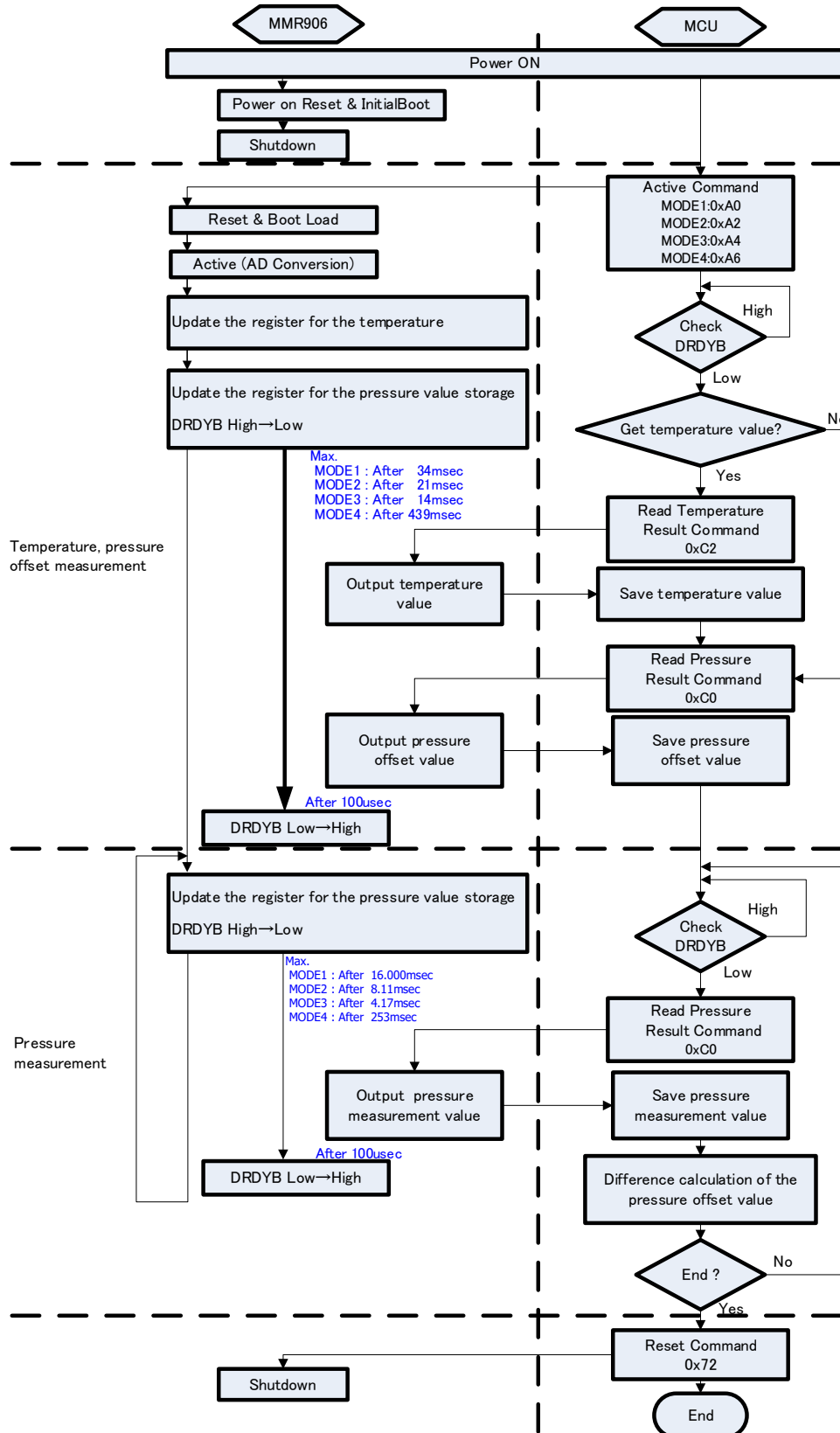


Fig. 6 Flow chart of pressure/temperature measurement

Product code

Product code has been recorded in internal memory (NVM(Non-volatile memory)) of the MMR906. Product code can be obtained by the process of Fig. 7

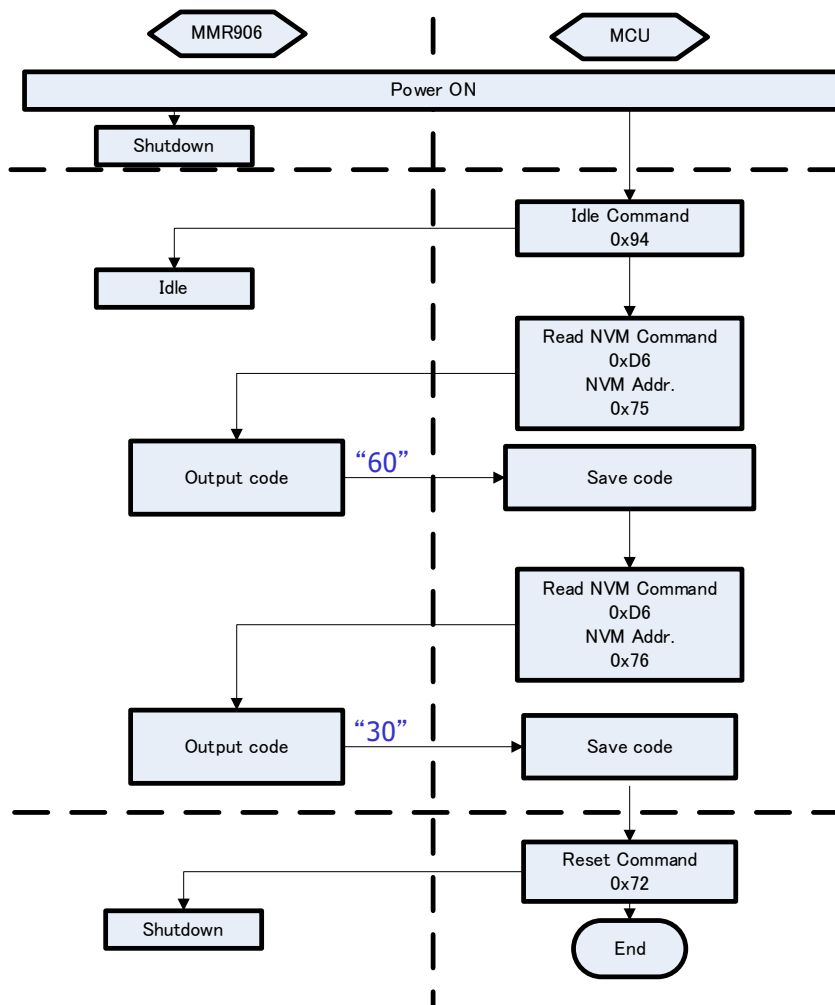


Fig. 7 Flow chart of product code gets

Table 4 Description of the product code

	NVM Addr.	Data	Description
(1)	0x75	60 h	Model name and Rank. 6:It shows the MMR906. 0:It shows the X rank.
(2)	0x76	30 h	Power-supply voltage in the correction. 30:It shows that it was corrected at 3.0V.

SERIAL COMMUNICATION INTERFACE

It supports SPI (max. 5Mbps) as an interface for serial communication.

Baud rate

※ This item is not inspected at the time of shipment.
(unless otherwise specified, Ta=25°C, VDD=1.7~3.6V)

Item	Symbol	Conditions	Min.	Typ.	Max.	Unit
SPI communication speed	BR _{SPI1}	VDDIO ≥ 2.0V Cb ≤ 100pF	-	-	5.0	Mbps
	BR _{SPI2}	VDDIO < 2.0V Cb ≤ 100pF	-	-	1.0	
	BR _{SPI3}	VDDIO ≥ 2.0V Cb ≤ 400pF	-	-	2.5	
	BR _{SPI4}	VDDIO < 2.0V Cb ≤ 400pF	-	-	0.5	

SPI format

SPI command format is shown below. Data send/receive is started when CSB becomes low level from the status when SCLK is high level. Input data is sampled on rising edges of the SCLK. (SPI MODE 3) For the detailed timing, please refer to the each command format.

SPI Operation Command format

Corresponding Command

- Reset Command (0x72)
- Active Command (0xA0, 0xA2, 0xA4, 0xA6)
- Idle Command (0x94)

Please send command code of 8 bits. When their commands are received, it turns over ACK to 8 bits and it performs operation corresponding to each command.

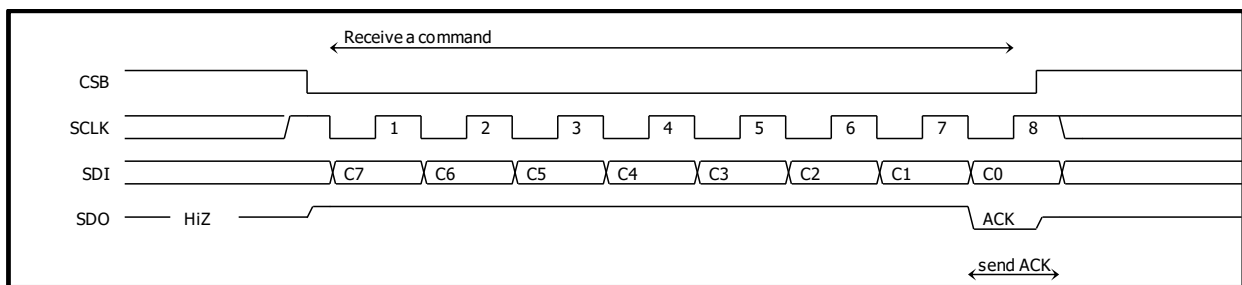


Fig. 8 SPI Operation Command format

SPI Result command format

Corresponding Command

- Result Command (0xC0, 0xC2, 0xC4, 0xC6)
- Status Command (0x80)

Please send reset command or active command of 8 bits. When the command is received, it turns over ACK to 8 bits and it outputs the data at 24 bits, MSB first.

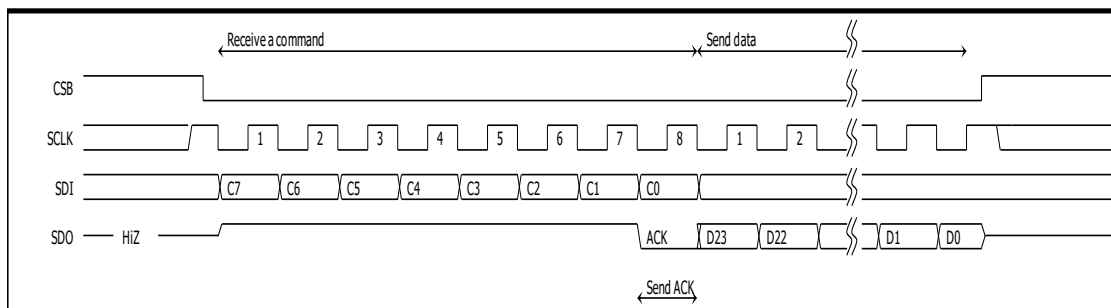


Fig. 9 SPI Result command format

SPI Read command format

Corresponding Command

- Read NVM command (0xD6)

Please send command code of 8 bits. When their commands are received, it turns over ACK to 8 bits. Then please send the memory address of 8bits (0x75 or 0x76). After receiving memory address, the internal area becomes busy for the maximum 25usec in order to prepare for data sending. During this time, 00h which indicates busy is output. When the preparation of data is completed, 01h is output, and continuously, 8bit data is output.

How to discern busy:

After sending writing data, continue to input clock with maintaining communicating mode. Then, 00h is output to indicate that it is busy. When the writing has been completed, 01h will be output. *The "00h" to indicate busy may sometimes be output or not depending on the clock frequency.

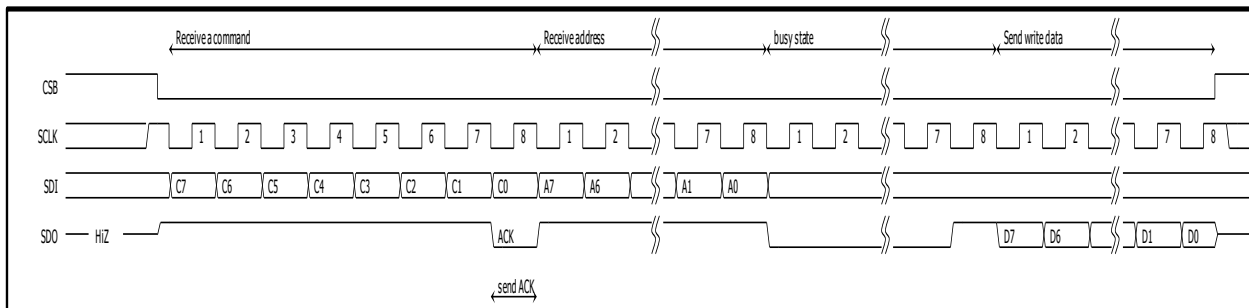


Fig. 10 Read command format

Baud rate

※ This item is not inspected at the time of shipment.

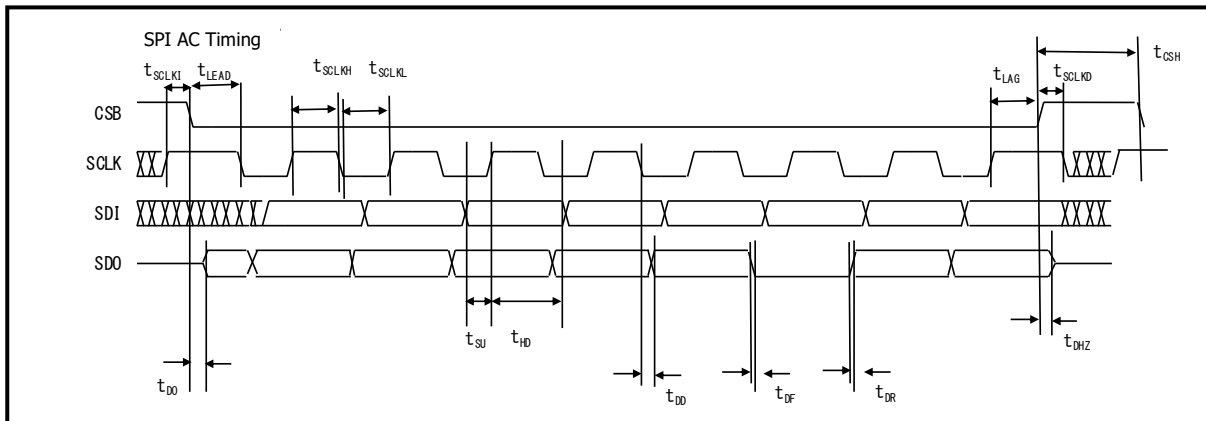


Fig. 11 SPI AC timing chart

Table 5 SPI AC Characteristics

Items	Symbol	VDDIO<2V		VDDIO≥2V		Unit
		min.	max.	min.	max.	
SCLK frequency (Duty 50±10%)	f_{SCLK}	-	1	-	5	MHz
SCLK High period (90%~90%)	t_{SCLKH}	400		80	-	ns
SCLK Low period (10%~10%)	t_{SCLKL}	400		80	-	ns
SCLK wait time	t_{SCLKI}	500	-	100	-	ns
SCLK Delay time	t_{SCLKD}	0	-	0	-	ns
CSB High period (90%~90%)	t_{CSH}	1000	-	200	-	ns
Time from CSB falling to SCLK falling	t_{LEAD}	0	-	0	-	ns
Time from SCLK rising to CSB rising	t_{LAG}	500	-	100	-	ns
SDI setup time	t_{SU}	100	-	10	-	ns
SDI hold time	t_{HD}	10	-	10	-	ns
SDO rise time(Load 100pF) (10%~90%)	t_{DR}		50	-	50	ns
SDO fall time(Load 100pF) (10%~90%)	t_{DF}		50	-	50	ns
SDO output delay time(Load 100pF)	t_{DDY}	-	120	-	60	ns
Time from CSB falling to SDO output(Load 100pF)	t_{ACC}	-	120	-	60	ns
Time from CSB falling to SDO output						
Time from CSB rising to SDO output HiZ(Load 100pF)	t_{DHz}	-	170	-	170	ns

Command

Table 6 Operation command list

Command Name		Command Code								Action	
		HEX.	BIN.								
			C7	C6	C5	C4	C3	C2	C1		C0
Reset		0x72	0	1	1	1	0	0	1	0	Reset and Return to Shutdown state
Idle		0x94	1	0	0	1	0	1	0	0	Shift to Idle state
Active	Measure at MODE 1	0xA0	1	0	1	0	0	0	0	0	Start measure at MODE1
	Measure at MODE 2	0xA2	1	0	1	0	0	0	1	0	Start measure at MODE 2
	Measure at MODE 3	0xA4	1	0	1	0	0	1	0	0	Start measure at MODE 3
	Measure at MODE 4	0xA6	1	0	1	0	0	1	1	0	Start measure at MODE 4

Table 7 Result command list (1/2)

Command Name		Command Code								Action																
		HEX.	BIN.																							
			C7	C6	C5	C4	C3	C2	C1		C0															
Read Pressure Result		0xC0	1	1	0	0	0	0	0	0	Read pressure result															
		0xC4	1	1	0	0	0	1	0	0	Read pressure result with LowPassFilter 1st															
		0xC6	1	1	0	0	0	1	1	0	Read pressure result with LowPassFilter 1st+2nd															
		<p>Read compensated pressure result. It outputs the result of pressure measurement at 24bits, MSB first. A negative number is expressed by 2's complement. About output range, in case of positive output : 000000 h ~ 7FFFFFF h (in decimal number : 0 ~ +8388607), in case of negative output : FFFFFFF h ~ 800000 h (in decimal number : -1 ~ -8388608) However, the result of measurement when being used beyond a recommended operating condition can't be guaranteed.</p> <p>Pressure value = DEC. / 1000</p> <p>Output example:</p> <table border="1"> <thead> <tr> <th>BIN.</th> <th>HEX.</th> <th>DEC.</th> <th>Pressure</th> </tr> </thead> <tbody> <tr> <td>111111111111111110010000 b</td> <td>FFE890 h</td> <td>-6000</td> <td>-6.000mmHg</td> </tr> <tr> <td>000000000000000000000000 b</td> <td>000000 h</td> <td>0</td> <td>0.000mmHg</td> </tr> <tr> <td>0000010010010011111100000 b</td> <td>0493E0 h</td> <td>300000</td> <td>300.000mmHg</td> </tr> </tbody> </table>									BIN.	HEX.	DEC.	Pressure	111111111111111110010000 b	FFE890 h	-6000	-6.000mmHg	000000000000000000000000 b	000000 h	0	0.000mmHg	0000010010010011111100000 b	0493E0 h	300000	300.000mmHg
BIN.	HEX.	DEC.	Pressure																							
111111111111111110010000 b	FFE890 h	-6000	-6.000mmHg																							
000000000000000000000000 b	000000 h	0	0.000mmHg																							
0000010010010011111100000 b	0493E0 h	300000	300.000mmHg																							

Table 8 Result command list (2/2)

Command Name	Command Code									Action																																			
	HEX.	BIN.																																											
		C7	C6	C5	C4	C3	C2	C1	C0																																				
Read Temperature Result	0xC2	1	1	0	0	0	0	1	0	Read Temperature result																																			
	<p>Read compensated temperature result. It outputs the result of pressure measurement at 24bits, MSB first. A negative number is expressed by 2's complement. About output range, in case of positive output : 000000 h ~ 7FFFFFFF h (in decimal number : 0 ~ +8388607), in case of negative output : FFFFFFFF h ~ 800000 h (in decimal number : -1 ~ -8388608) However, the result of measurement when being used beyond a recommended operating condition can't be guaranteed.</p> <p>Temperature value = DEC. / 2¹⁶</p> <p>Output example:</p> <table border="1"> <thead> <tr> <th>BIN.</th> <th>HEX.</th> <th>DEC.</th> <th>Temperature</th> </tr> </thead> <tbody> <tr> <td>000001010000000000000000 b</td> <td>050000 h</td> <td>327680</td> <td>5.000 °C</td> </tr> <tr> <td>000110010000000000000000 b</td> <td>190000 h</td> <td>1638400</td> <td>25.000 °C</td> </tr> <tr> <td>001011010000000000000000 b</td> <td>2D0000 h</td> <td>2949120</td> <td>45.000 °C</td> </tr> </tbody> </table>										BIN.	HEX.	DEC.	Temperature	000001010000000000000000 b	050000 h	327680	5.000 °C	000110010000000000000000 b	190000 h	1638400	25.000 °C	001011010000000000000000 b	2D0000 h	2949120	45.000 °C																			
BIN.	HEX.	DEC.	Temperature																																										
000001010000000000000000 b	050000 h	327680	5.000 °C																																										
000110010000000000000000 b	190000 h	1638400	25.000 °C																																										
001011010000000000000000 b	2D0000 h	2949120	45.000 °C																																										
Status	0x80	1	0	0	0	0	0	0	0	Output status signals that can indicate the IC status																																			
	<p>Output 8bits data depending on the conditions</p> <table border="1"> <thead> <tr> <th>D7</th> <th>D6</th> <th>D5</th> <th>D4</th> <th>D3</th> <th>D2</th> <th>D1</th> <th>D0</th> <th>State</th> </tr> </thead> <tbody> <tr> <td>0</td> <td>0</td> <td>0</td> <td>0</td> <td>0</td> <td>0</td> <td>0</td> <td>0</td> <td>Shutdown</td> </tr> <tr> <td>1</td> <td>1</td> <td>1</td> <td>0</td> <td>0</td> <td>1</td> <td>0</td> <td>1</td> <td>Idle</td> </tr> <tr> <td>1</td> <td>1</td> <td>1</td> <td>0</td> <td>1</td> <td>1</td> <td>0</td> <td>1</td> <td>Active</td> </tr> </tbody> </table>										D7	D6	D5	D4	D3	D2	D1	D0	State	0	0	0	0	0	0	0	0	Shutdown	1	1	1	0	0	1	0	1	Idle	1	1	1	0	1	1	0	1
D7	D6	D5	D4	D3	D2	D1	D0	State																																					
0	0	0	0	0	0	0	0	Shutdown																																					
1	1	1	0	0	1	0	1	Idle																																					
1	1	1	0	1	1	0	1	Active																																					

Table 9 Read command list

Command Name	Command Code									Action
	HEX.	BIN.								
		C7	C6	C5	C4	C3	C2	C1	C0	
Read NVM	0xD6	1	1	0	1	0	1	1	0	Read data from NVM

State transition table

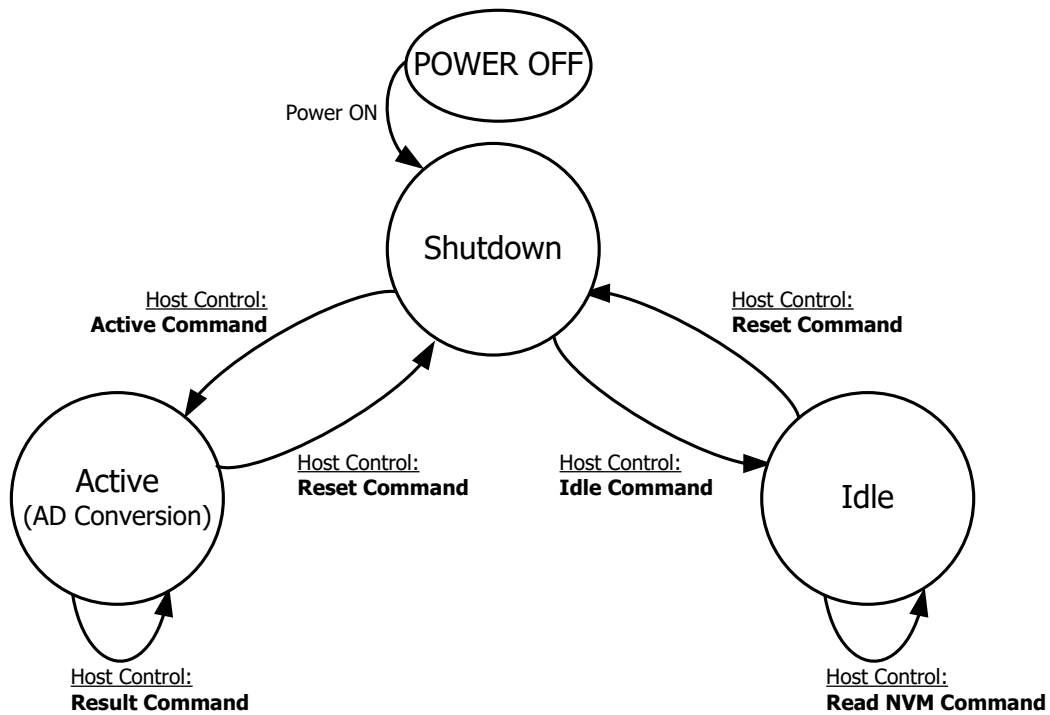


Fig. 12 State transition diagram

Table 10 State transition table

State Command	Shutdown	Active	Idle
Reset	Power on Reset & Initial Boot =>Shutdown	Power on Reset & Initial Boot =>Shutdown	Power on Reset & Initial Boot =>Shutdown
Active	Reset & Boot Load =>Active state(AD conversion)	Ignore(note ³) =>Keep state	=>Active state (AD conversion)
Result	Ignore(note ³) =>Keep state	Output result =>Keep state	Do not issue(note ⁴) =>Keep state
Idle	Reset & Boot Load =>Idle state	=>Idle state	=>Keep state
Read NVM	Ignore(note ³) =>Keep state	Do not issue(note ⁵) =>Keep state	Output code =>Keep state
Status	Output code =>Keep state	Output code =>Keep state	Output code =>Keep state

note³: NACK is returned to the command.

note⁴: The correct result isn't output. Additionally, ACK is returned to the command.

note⁵: Although command is acceptable, it goes unintended behavior since sequence is running.

Timing Chart

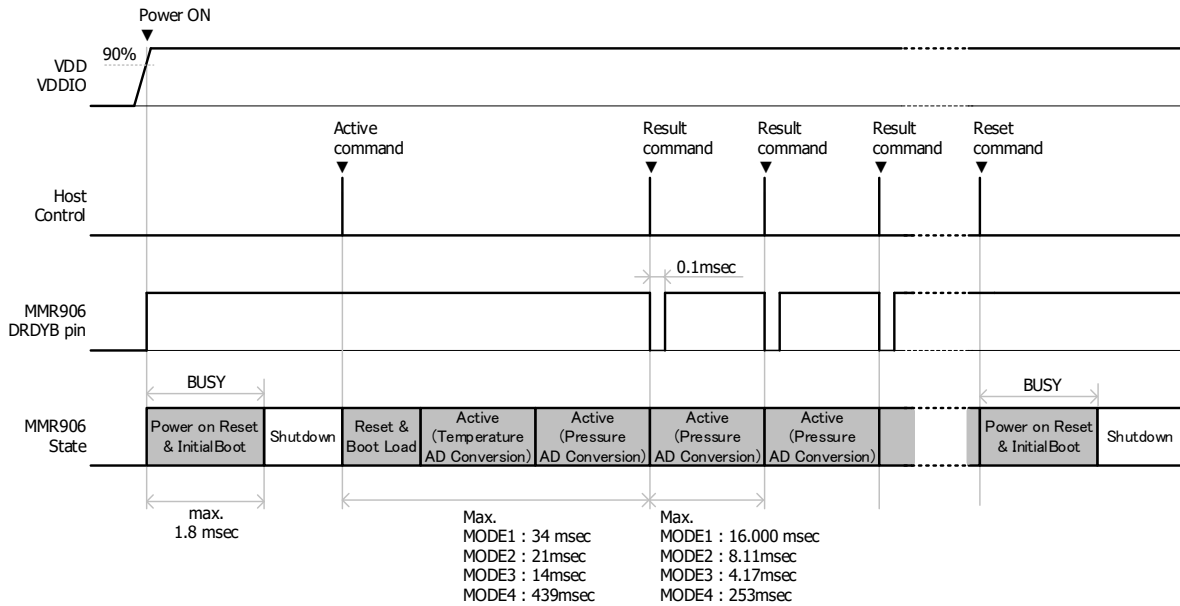


Fig. 13 Timing Chart

note⁶: Power on reset voltage is set to 1.62V in case of VDD<1.8V, and set to 1.08V in case of VDDIO<1.2V.

TYPICAL APPLICATION CIRCUIT

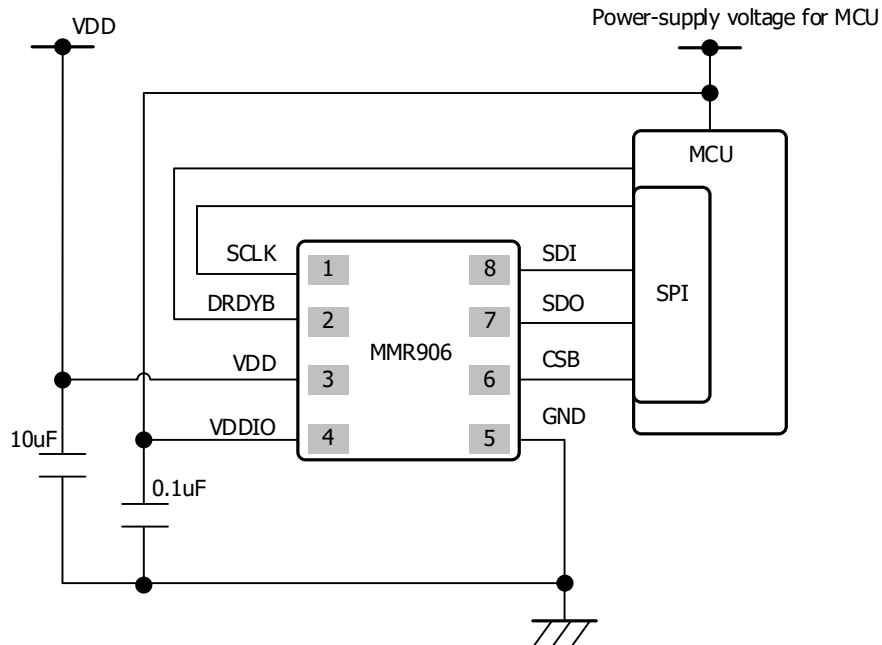


Fig. 14 Typical Electrical Connection

TYPICAL PERFORMANCE CHARACTERISTICS

(unless otherwise specified, $T_a=25^\circ\text{C}$, $V_{DD}=V_{DDIO}=3.0\text{V}$)

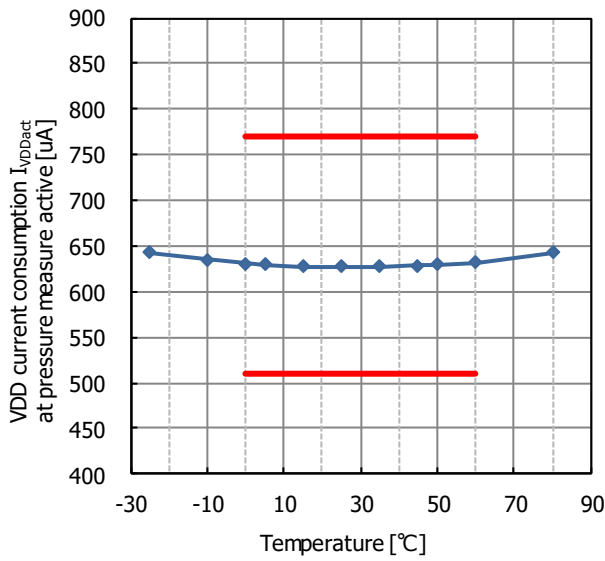


Fig.15.1 VDD current consumption I_{VDDact} at pressure measure active temperature characteristic

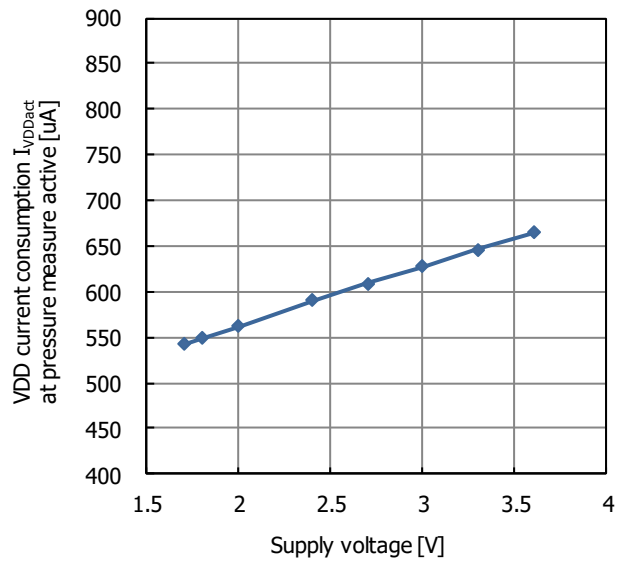


Fig.15.2 VDD current consumption I_{VDDact} at pressure measure active supply voltage characteristic

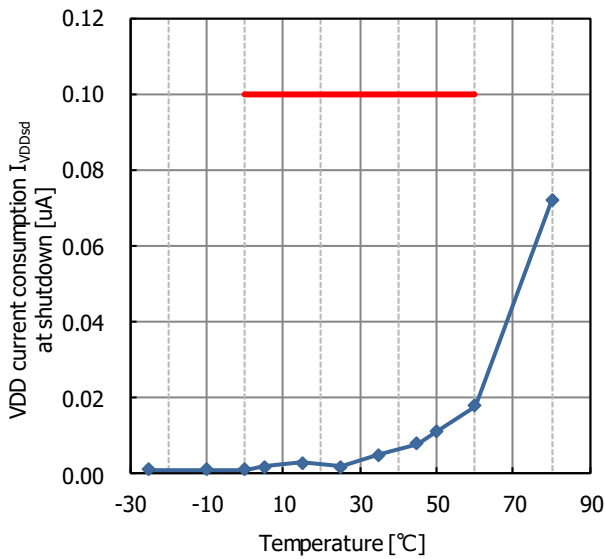


Fig.15.3 VDD current consumption I_{VDDsd} at shutdown temperature characteristic

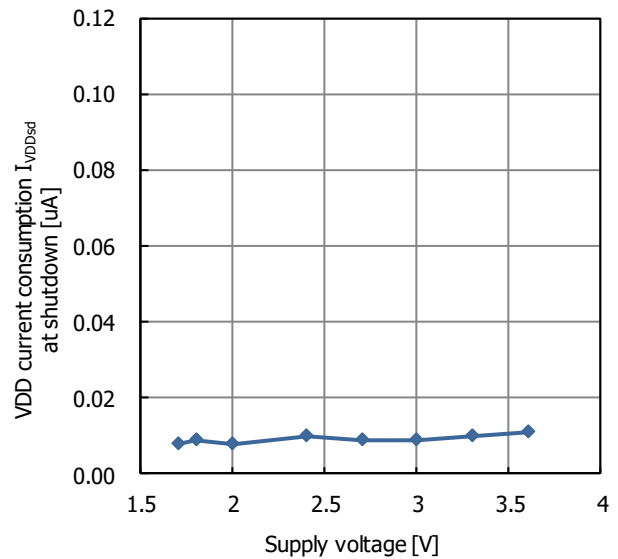


Fig.15.4 VDD current consumption I_{VDDsd} at shutdown supply voltage characteristic

(unless otherwise specified, $T_a=25^{\circ}\text{C}$, $V_{DD}=V_{DDIO}=3.0\text{V}$)

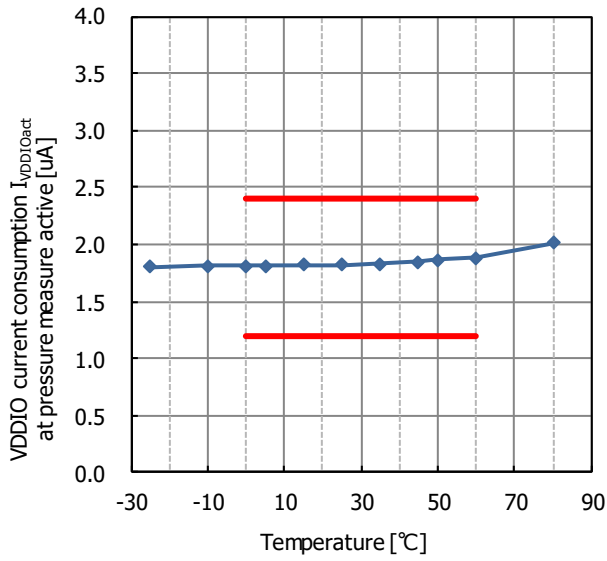


Fig.15.5 VDDIO current consumption $I_{VDDIOact}$ at pressure measure active temperature characteristic

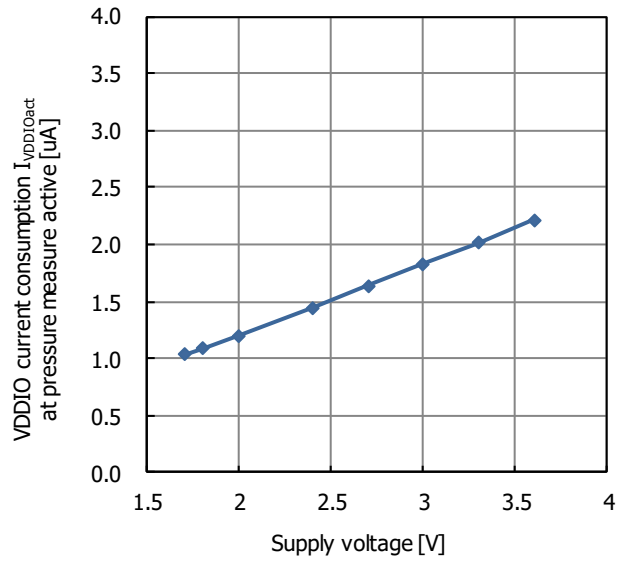


Fig.15.6 VDDIO current consumption $I_{VDDIOact}$ at pressure measure active supply voltage characteristic

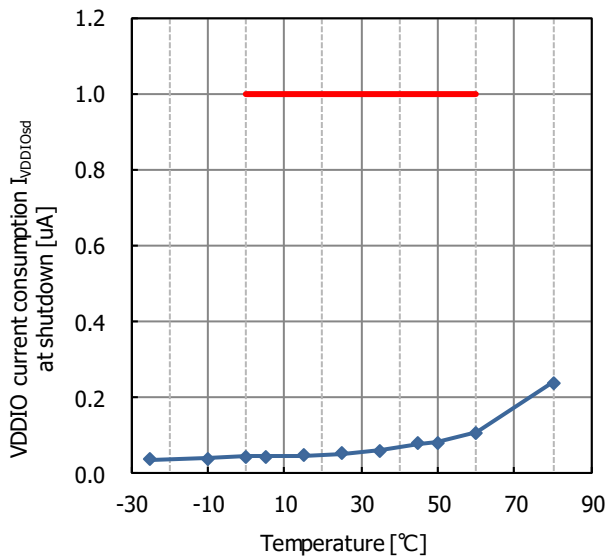


Fig.15.7 VDDIO current consumption $I_{VDDIOsd}$ at shutdown temperature characteristic

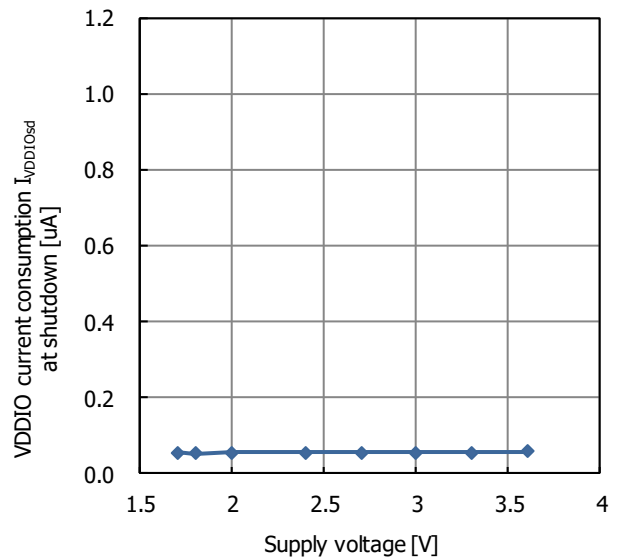


Fig.15.8 VDDIO current consumption $I_{VDDIOsd}$ at shutdown supply voltage characteristic

(unless otherwise specified, $T_a=25^\circ\text{C}$, $V_{DD}=V_{DDIO}=3.0\text{V}$)

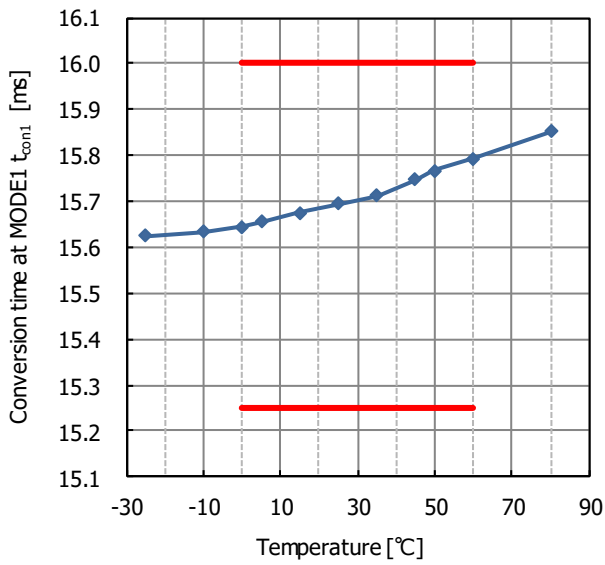


Fig.15.9 Conversion time at MODE 1 temperature characteristic

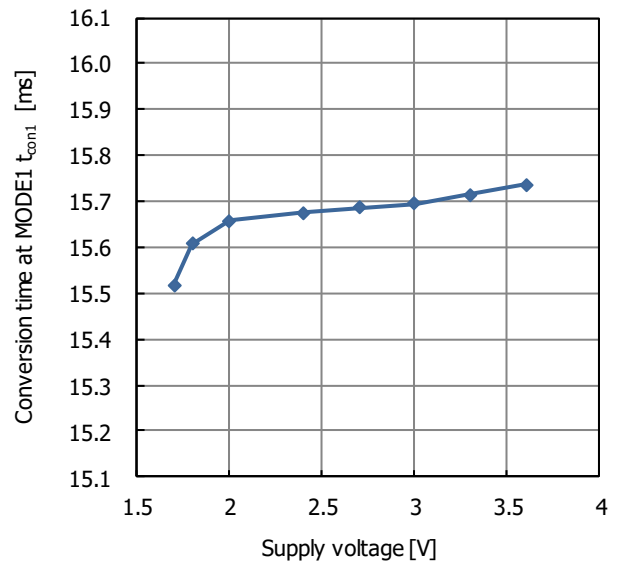


Fig.15.10 Conversion time at MODE 1 supply voltage characteristic

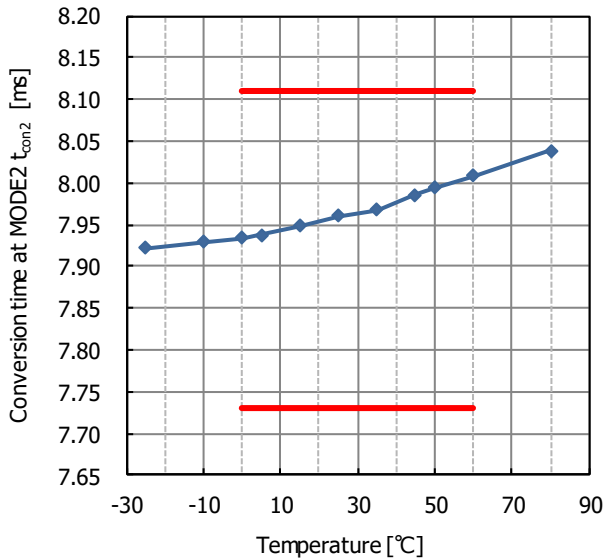


Fig.15.11 Conversion time at MODE 2 temperature characteristic

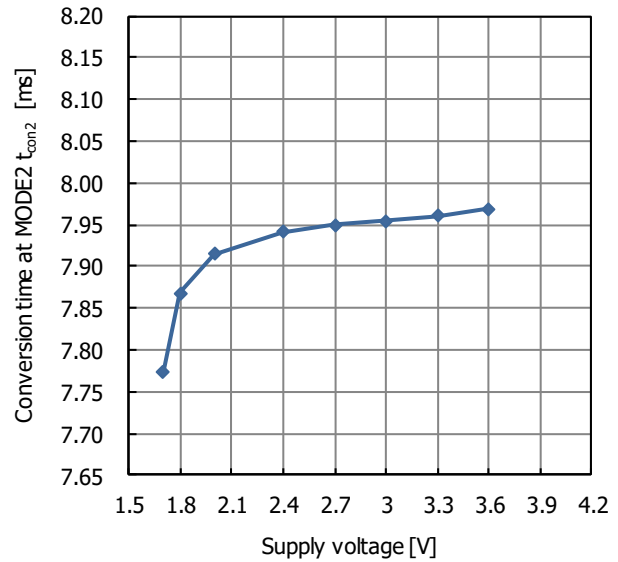


Fig.15.12 Conversion time at MODE 2 supply voltage characteristic

(unless otherwise specified, Ta=25°C, VDD=VDDIO=3.0V)

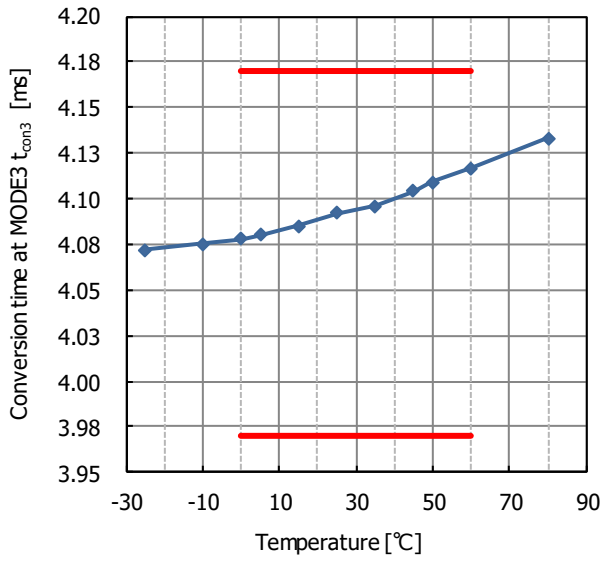


Fig.15.13 Conversion time at MODE 3 temperature characteristic

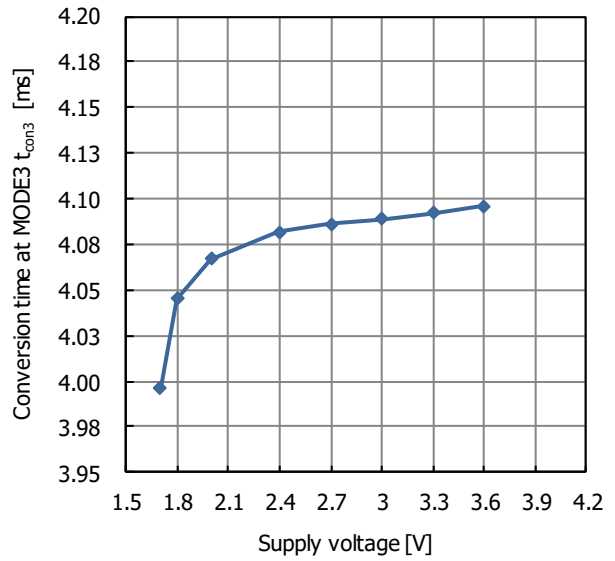


Fig.15.14 Conversion time at MODE 3 supply voltage characteristic

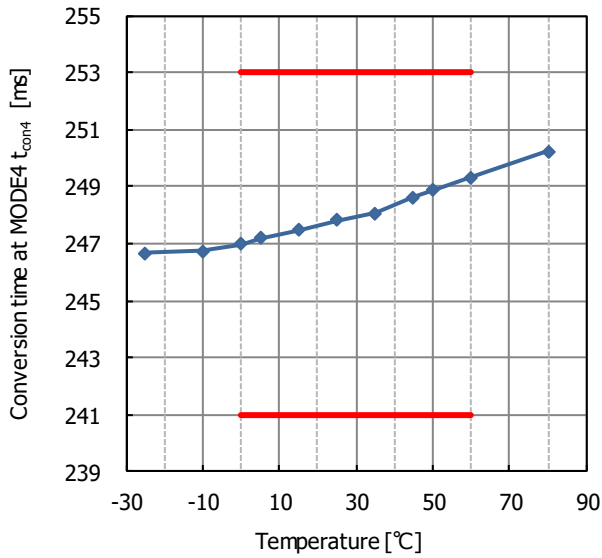


Fig.15.15 Conversion time at MODE 4 temperature characteristic

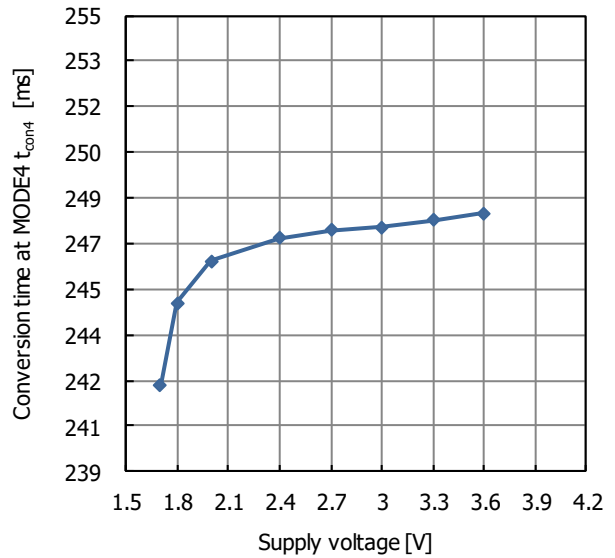


Fig.15.16 Conversion time at MODE 4 supply voltage characteristic

(unless otherwise specified, Ta=25°C, VDD=VDDIO=3.0V)

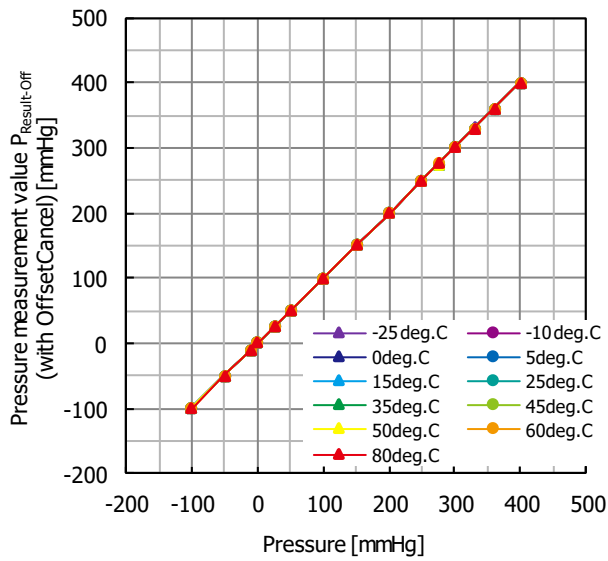


Fig.15.17 Pressure measurement value $P_{Result-Off}$ (with Offset Cancel) temperature characteristic

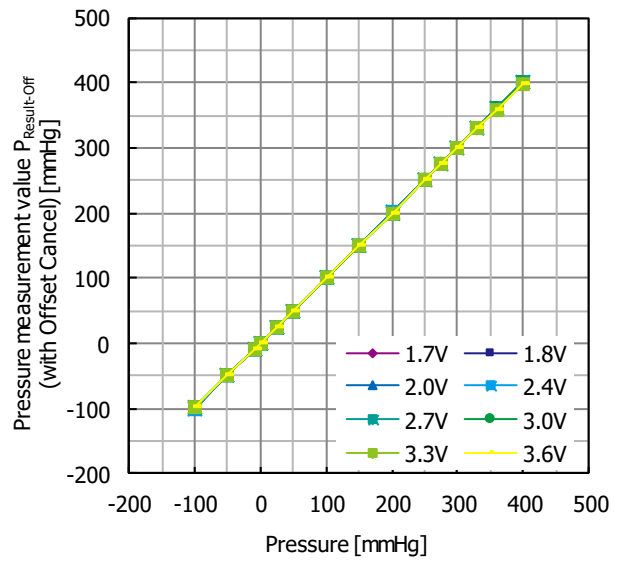


Fig.15.18 Pressure measurement value $P_{Result-Off}$ (with Offset Cancel) supply voltage characteristic

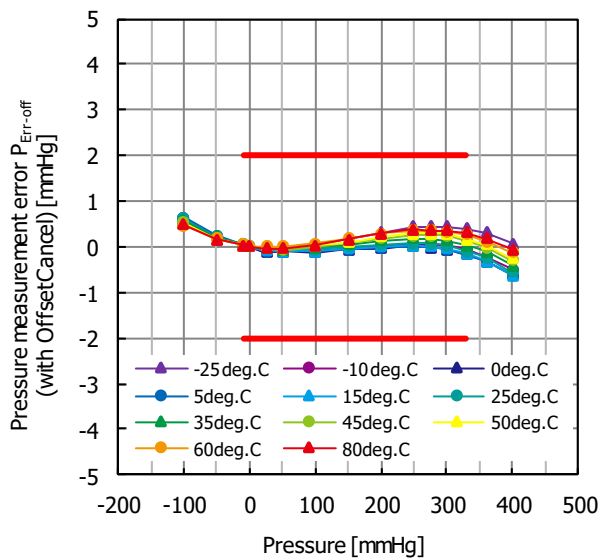


Fig.15.19 Pressure measurement error $P_{Err-Off}$ (with Offset Cancel) temperature characteristic

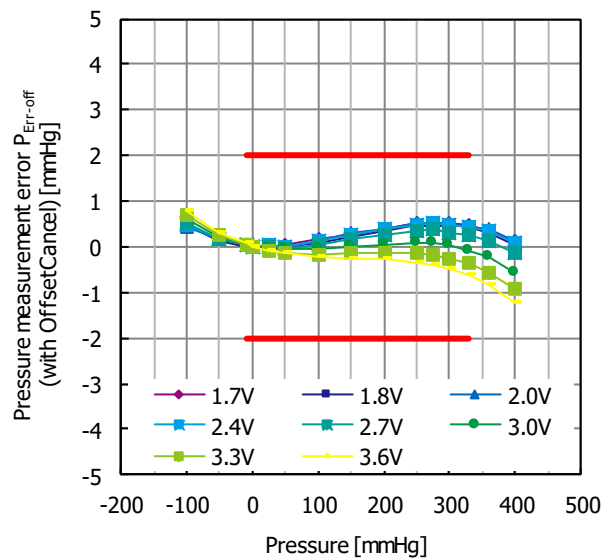


Fig.15.20 Pressure measurement error $P_{Err-Off}$ (with Offset Cancel) supply voltage characteristic

DIMENSIONS

PACKAGE : MEMS-8B

UNIT	mm
------	----

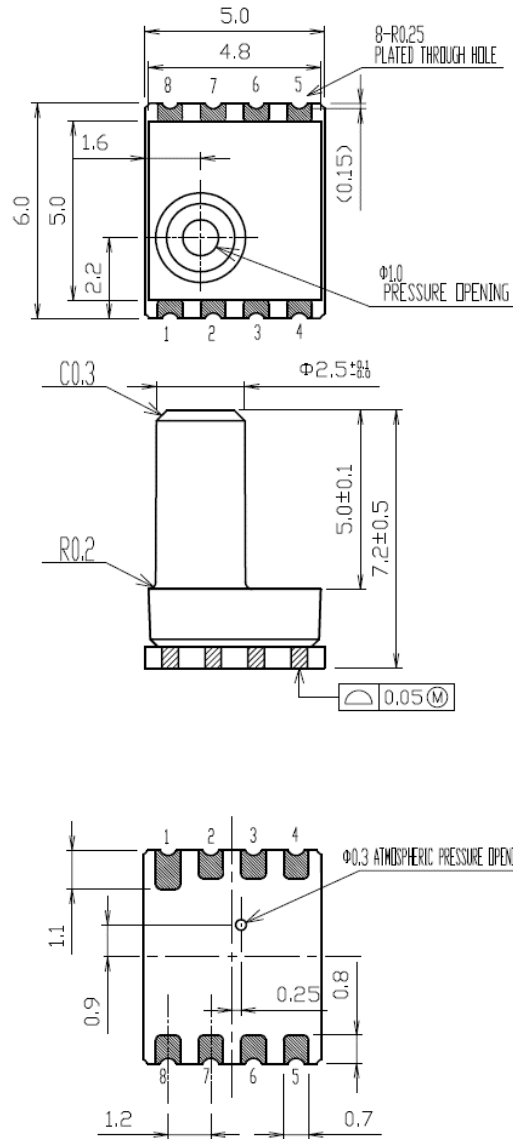


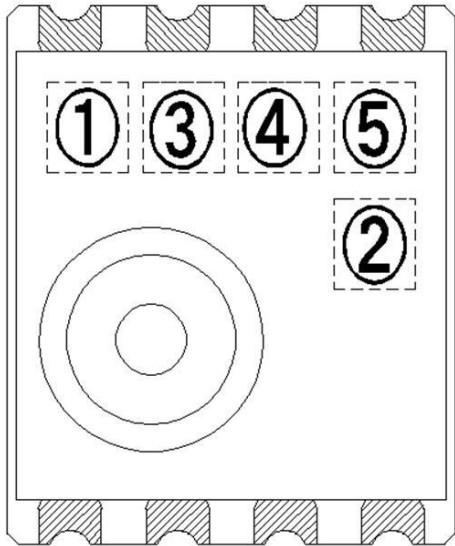
Table.11 Terminal list

PIN No.	Name
1	SCLK
2	DRDYB
3	VDD
4	VDDIO
5	GND
6	CSB
7	SDO
8	SDI

Print circuit board specifications

Grade	FR-4
UL	94V-0
Thickness	0.6 ± 0.1
Structure	2 Layers PCB with through holes
Parts assemble	One side
Resist	Both side

MARKING CONTENTS



①	Model name		marking	
	MMR906		6	
②	Rank		marking	
	X		X	
③	Production year			
④	Production month			
	month	marking	month	marking
	JAN	1	JUL	7
	FEB	2	AUG	8
	MAR	3	SEP	9
	APR	4	OCT	J
	MAY	5	NOV	K
	JUN	6	DEC	L
⑤	Production day			
	day	marking	day	marking
	1	1	16	G
	2	2	17	H
	3	3	18	J
	4	4	19	K
	5	5	20	L
	6	6	21	M
	7	7	22	N
	8	8	23	P
	9	9	24	R
	10	A	25	S
	11	B	26	T
	12	C	27	U
	13	D	28	V
	14	E	29	W
	15	F	30	X
		31	Y	

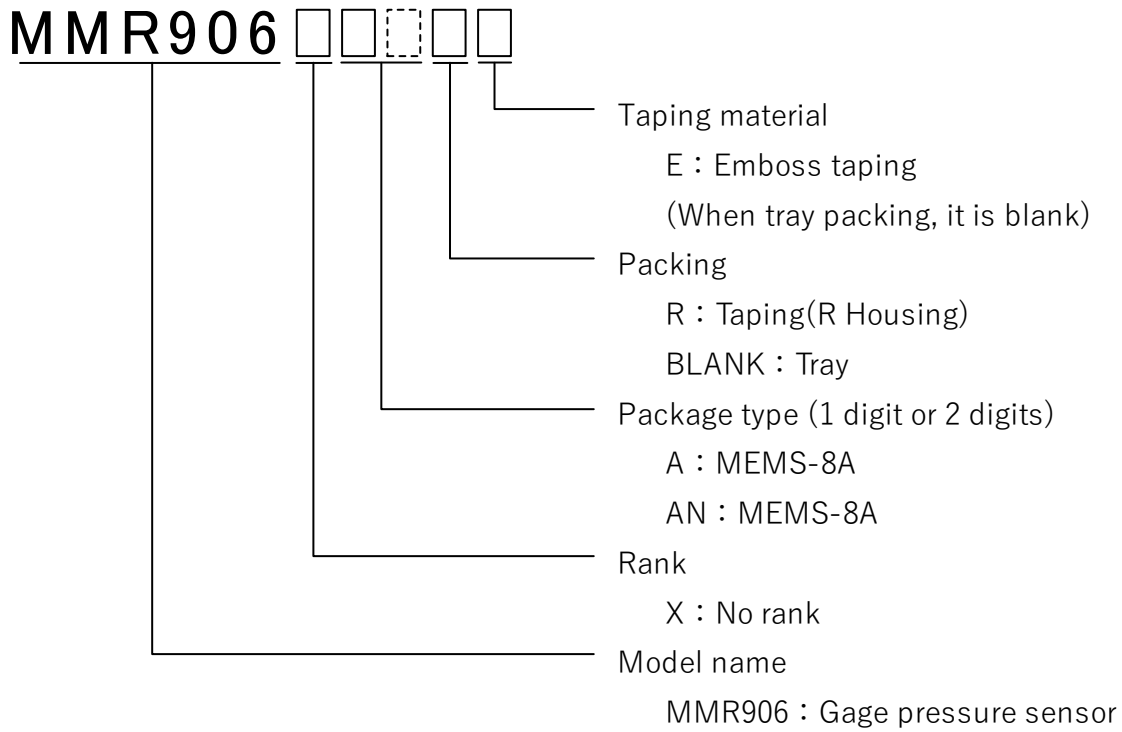
The contents of this document are subject to change without notice.

©2020 Mitsumi co., Ltd. All rights reserved.

MITSUMI ELECTRIC CO., LTD. Semiconductor Div.

<https://product.minebeamitsumi.com/en/>

PRODUCT NAME



PRODUCT LINEUP

Product Name	Packing	Status
MMR906XAN	Tray	MP
MMR906XARE	Taping(R)	Developing

PRESSURE SENSOR LINEUP

Function	Product Name	Size (L x W x H) [mm]	Pressure Range [Pa]	Full Scale [Pa]	Pressure Measurement error [%FS]	Span Accuracy [%FS]	Effective Resolution [PaRMS]	Packing	Status
Gage Pressure Sensor	MMR902A34A	7 x 7 x 7.2	-1,000 ~ 40,000	40,000	2.3	0.66	0.7	Tray	MP
	MMR902A34ABE	7 x 7 x 7.2	-1,000 ~ 40,000	40,000	2.3	0.66	0.7	Taping (B)	Developing
	MMR902A34ARE	7 x 7 x 7.2	-1,000 ~ 40,000	40,000	2.3	0.66	0.7	Taping (R)	Developing
	MMR906XAN	6 x 5 x 7.2	-1,000 ~ 40,000	40,000	-	0.66	1.0	Tray	MP
	MMR906XARE	6 x 5 x 7.2	-1,000 ~ 40,000	40,000	-	0.66	1.0	Taping (R)	Developing
	MMR920C02A	7 x 7 x 7.2	-1,961 ~ 1,961	1,961	2.0	1.30	0.2	Tray	Planning
	MMR920C02ARE	7 x 7 x 7.2	-1,961 ~ 1,961	1,961	2.0	1.30	0.2	Taping (R)	Planning
	MMR920C04A	7 x 7 x 7.2	-3,922 ~ 3,922	3,922	1.0	0.65	0.2	Tray	Developing
	MMR920C04ARE	7 x 7 x 7.2	-3,922 ~ 3,922	3,922	1.0	0.65	0.2	Taping (R)	Developing
	MMR920C07A	7 x 7 x 7.2	-6,865 ~ 6,865	6,865	1.0	0.65	0.2	Tray	Planning
	MMR920C07ARE	7 x 7 x 7.2	-6,865 ~ 6,865	6,865	1.0	0.65	0.2	Taping (R)	Planning
	MMR920C10A	7 x 7 x 7.2	-9,807 ~ 9,807	9,807	1.0	0.65	0.2	Tray	Planning
	MMR920C10ARE	7 x 7 x 7.2	-9,807 ~ 9,807	9,807	1.0	0.65	0.2	Taping (R)	Planning
Differential Pressure Sensor	MMR940C02A	29 x 18 x 14.25	-1,961 ~ 1,961	1,961	(2.0)	1.30	0.2	Tray	Planning
	MMR940C04A	29 x 18 x 14.25	-3,922 ~ 3,922	3,922	(1.0)	0.65	0.2	Tray	Developing
	MMR940C07A	29 x 18 x 14.25	-6,865 ~ 6,865	6,865	(1.0)	0.65	0.2	Tray	Planning
	MMR940C10A	29 x 18 x 14.25	-9,807 ~ 9,807	9,807	(1.0)	0.65	0.2	Tray	Planning

NOTES

Safety Precautions

- Though Mitsumi Electric Co., Ltd. (hereinafter referred to as "Mitsumi") works continually to improve our product's quality and reliability, semiconductor products may generally malfunction or fail. Customers are responsible for complying with safety standards and for providing adequate designs and safeguards for their hardware, software and systems which minimize risk and avoid situations in which a malfunction or failure of this product could cause loss of human life, bodily injury, or damage to property, including data loss or corruption. Before customers use this product, create designs including this product, or incorporate this product into their own applications, customers must also refer to and comply with (a) the latest versions or all of our relevant information, including without limitation, product specifications, data sheets and application notes for this product and (b) the user's manual, handling instructions or all relevant information for any products which is to be used, or combined with this products. Customers are solely responsible for all aspects of their own product design or applications, including but not limited to (a) determining the appropriateness of the use of this product in such design or applications; (b) evaluating and determining the applicability of any information contained in this document, or in charts, diagrams, programs, algorithms, sample application circuits, or any other referenced documents; and (c) validating all operating parameters for such designs and applications. Mitsumi assumes no liability for customers' product design or applications.
- This product is intended for applying to computers, OA units, communication units, instrumentation units, machine tools, industrial robots, AV units, household electrical appliances, and other general electronic units.
- If you have any intentions to apply this product to the units related to the control and safety of transportation units (vehicles, trains, etc.), traffic signaling units, disaster-preventive & burglar-proof units, or the like, contact our sales representatives in advance.
- Don't apply this product to any aeronautical & space systems, submarine repeaters, nuclear power controllers, medical units involving the human life, or the like.
- Before using this product, even when it is not used for the usage written above, notify and present us beforehand if special care and attention are needed for its application, intended purpose, environment of usage, risk, and the design or inspection specification corresponding to them.
- If any damage to our customer is objectively identified to be caused by the defect of this product, Mitsumi is responsible for it. In this case, Mitsumi is liable for the cost limited to the delivery price of this product.

Application considerations during actual circuit design

- The outline of parameters described herein has been chosen as an explanation of the standard parameters and performance of the product. When you actually plan to use the product, please ensure that the outside conditions are reflected in the actual circuit and assembling designs.
- Before using this product, please evaluate and confirm the actual application with this product mounted and embedded.
- To investigate the influence by applied transient load or external noise, It is necessary to evaluate and confirm them with mounting this product to the actual application.
- Any usage above the maximum rating may destroy this product or shorten the lifetime. Be sure to use this product under the maximum rating.
- If you continue to use this product highly-loaded (applying high temperature, large current or high voltage; or variation of temperature) even under the absolute maximum rating and even in the operating range, the reliability of this product may decrease significantly. Please design appropriate reliability in consideration of power dissipation and voltage corresponding to the temperature and designed lifetime after confirming our individual reliability documents (such as reliability test report or estimated failure rate). It is recommended that, before using this product, you appropriately derate the maximum power dissipation (typically, 80% or less of the maximum value) considering parameters including ambient temperature, input voltage, and output current.

Precautions for Foreign Exchange and Foreign Trade Control Act

- If you export or take products and technologies in this document which are subject to security trade control based on the Foreign Exchange and Foreign Trade Act to overseas from Japan, permission of the Japanese government is required.

Prohibitions for Industrial Property Rights

- Since this document contains the contents related to our copyright and know-how, you are requested not to use this document for any purpose other than the application of this product.
- If a use of this product causes a dispute related to the industrial property rights of a third party, Mitsumi has no liability for any disputes except those which arise directly from the manufacturing and manufacturing method of our products.

Precautions for Product Liability Act

- No responsibility is assumed by us for any consequence resulting from any wrong or improper use or operation, etc. of this product.

Others

- Any part of the contents contained herein must not be reprinted or reproduced without our prior permission.
- In case of any question arises out of the description in this specification, it shall be settled by the consultation between both parties promptly.

ATTENTION

- This product is designed and manufactured with the intention of normal use in general electronics. No special circumstance as described below is considered for the use of it when it is designed. With this reason, any use and storage under the circumstances below may affect the performance of this product. Prior confirmation of performance and reliability is requested to customers.
 - Environment with strong static electricity or electromagnetic wave
 - Environment with high temperature or high humidity where dew condensation may occur
- This product is not designed to withstand radioactivity, and must avoid using in a radioactive environment.

ADDDITIONAL NOTES

- The pressure medium which can use directly is only air. Please do not use other media, especially corrosive gases (organic solvent gas, sulfurous acid gas, hydrogen sulfide gas, etc.) and media which include moisture and foreign substance, since they could cause damages or malfunctions.
- Please handle it noting the foreign body mixing with the pressure opening and atmospheric pressure opening after opening packing.
- When cut folding the PCB after mounting this product, take measures to prevent stress to the package. Also, when you insert the tube in this product, please note that plugging it vertically. Load in the lateral direction of the cover of the nozzle is up to 1kg or less. (Load condition: position of height 4mm from the marking surface.) Excessive load could cause damages of cover, or air leak by peeling from the interface of the cover and the substrate, or malfunctions.
- The light that enters from the pressure entrance reaches the semiconductor chip. Please avoid use in the environment that light enters into the pressure entrance directly, because the semiconductor chip might malfunction because of light.

PACKING SPECIFICATIONS (TRAY)

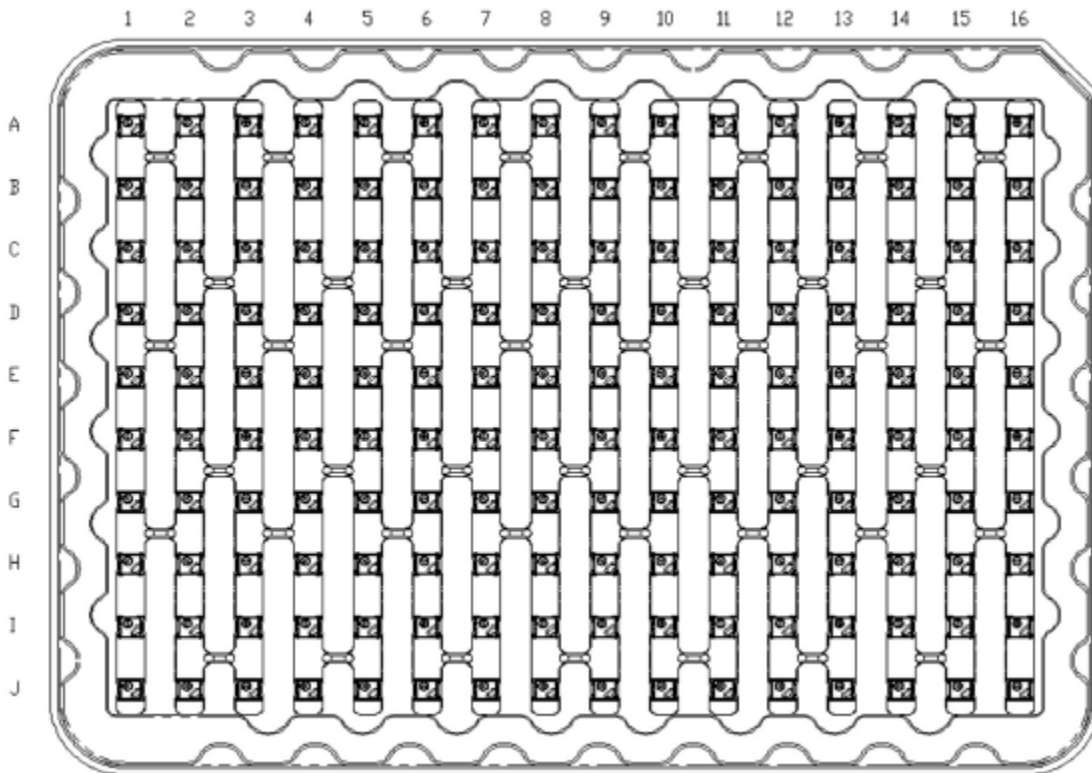
QUANTITY

- VACUUM PACKING 800 pcs / SHIELD BAG
- BOX PACKING MAX 6,400 pcs / BOX (8BAGS)

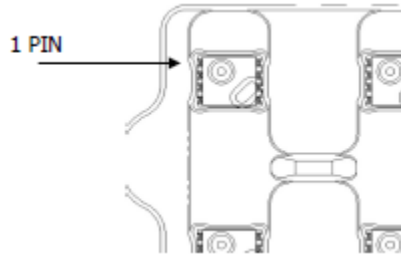
THE QUANTITY IS FILLED IN THE PACKING SLIP

PACKING SPECIFICATIONS

- TRAY STORAGE SPECIFICATION



1. PRODUCTION STORAGE DIRECTION



2. BROKEN NUMBER PRODUCTION STORAGE

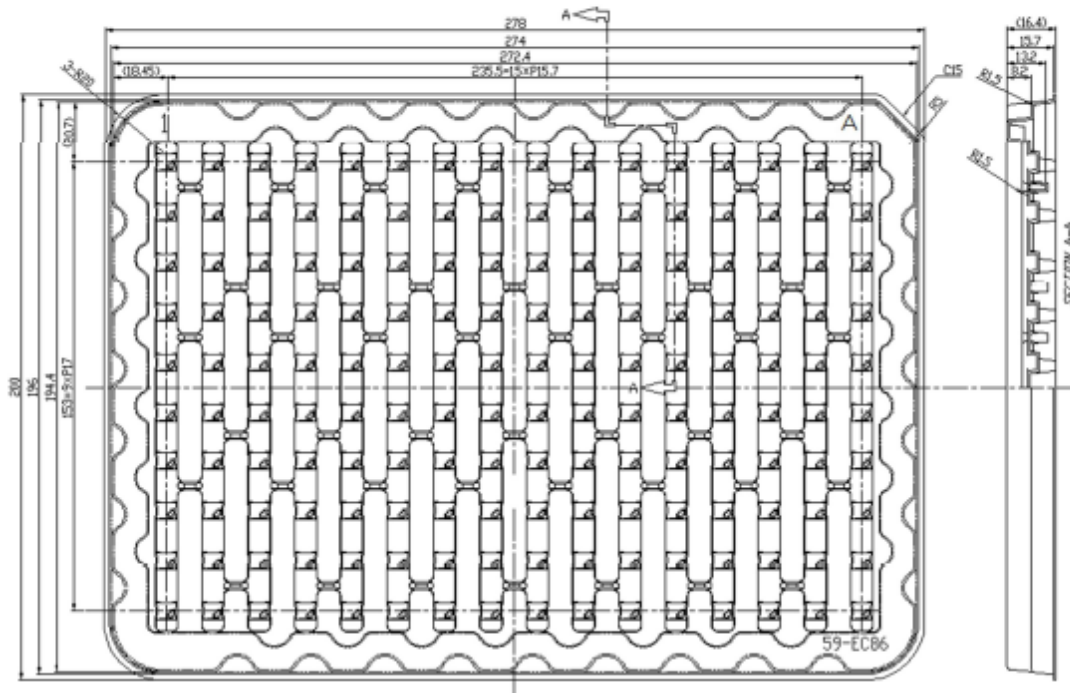
REGARDING BROKEN NUMBER PRODUCTION STORAGE ,
IT IS HOUSED IN FOLLOWING-ORDER.
(A1、B1、...、I1、J1)、(A2、B2、...、I2、J2)、...、(A16、B16、...、I16、J16).

3. TRAY MATERIAL, DISPOSED ELECTRICATION PREVENTION.

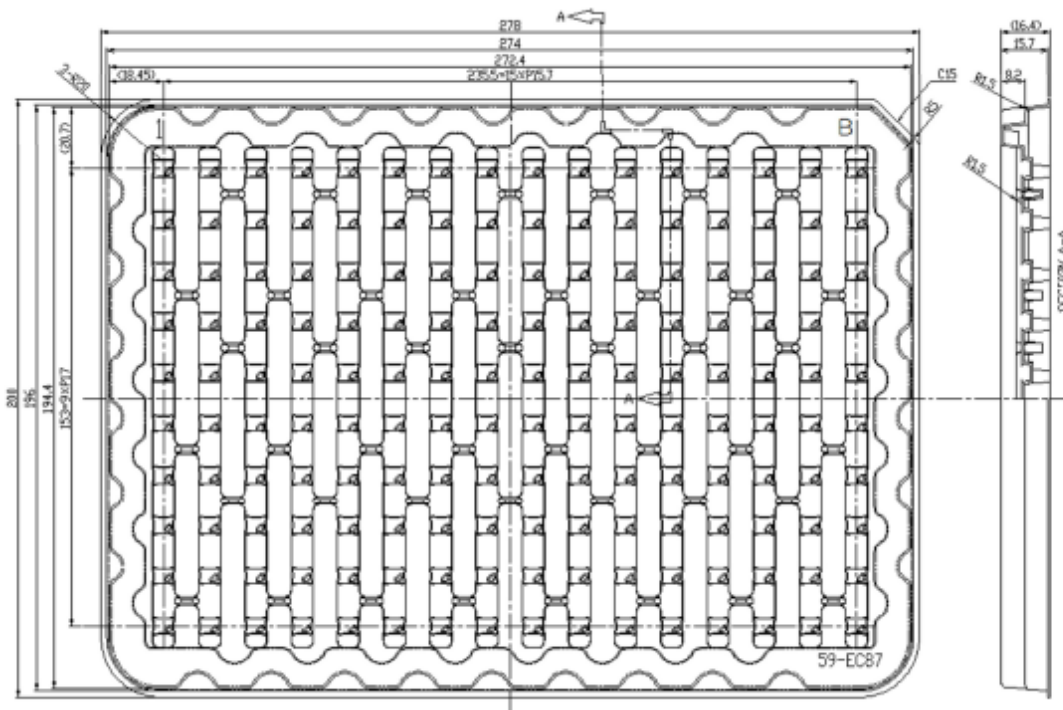
TRAY DIMENSION

TRAY A

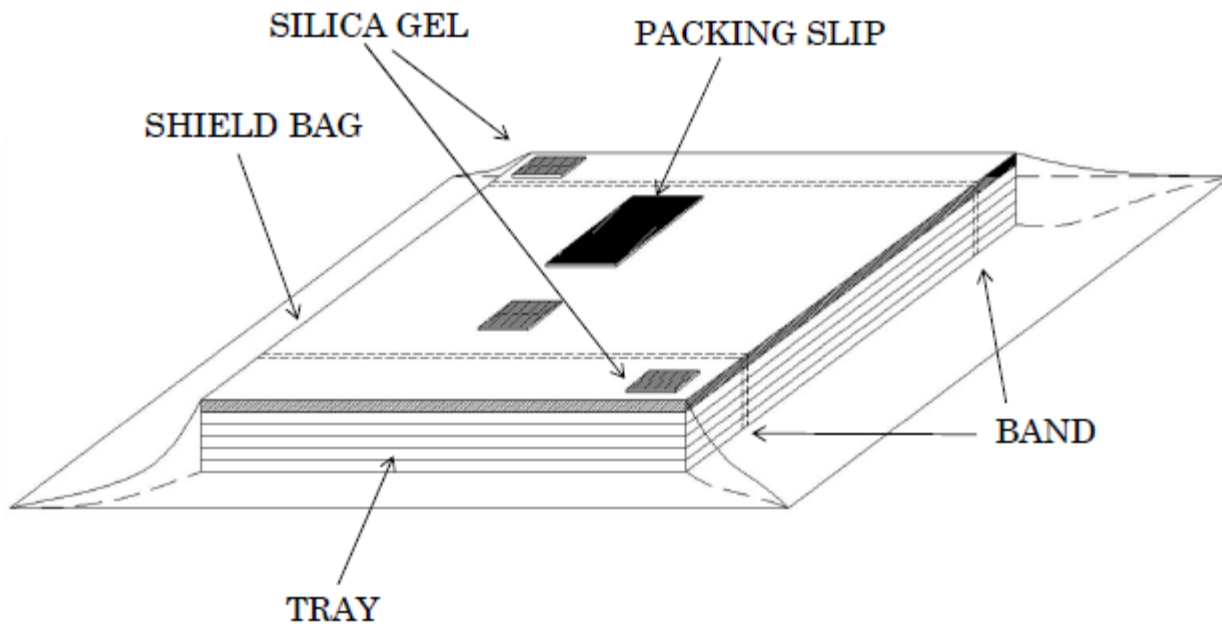
UNIT	mm
------	----



TRAY B



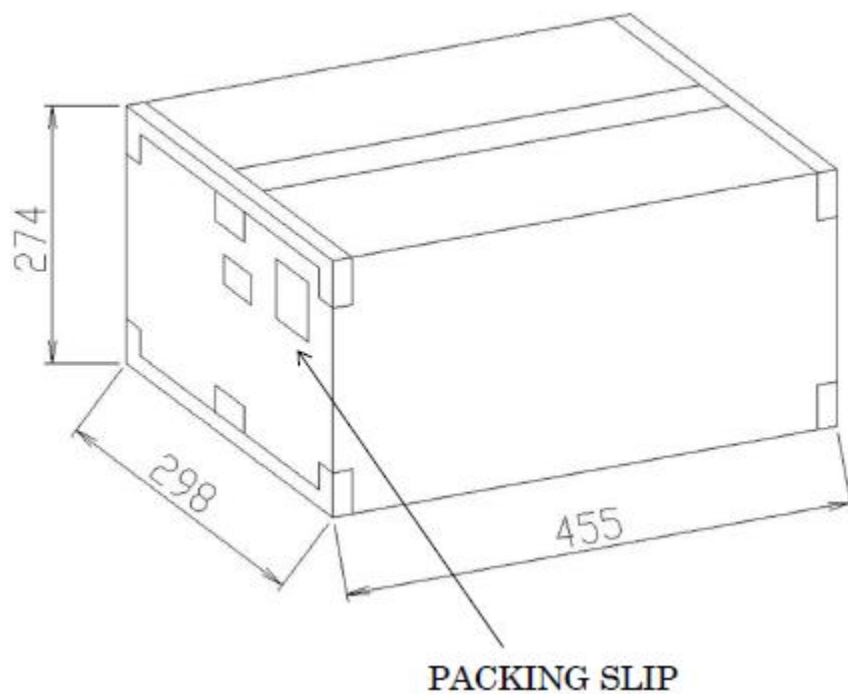
· PACKING SPECIFICATION



THESE 6 TRAYS WHICH ARE 5 TRAYS WITH PRODUCTS AND EMPTY TRAY AS LID ARE PILED UP. ALSO, THESE TRAYS ARE FIXED BY BAND. THESE ARE VACUUM-HEAT-SEALED TOGETHER WITH THE SILICA GEL. ※THIS TRAY HAS TYPE A AND TYPE B. THEY ARE PILED UP ALTERNATELY. (IT IS POSSIBLE TO USE BOTH TYPE TRAYS AS EMPTY ONE.)

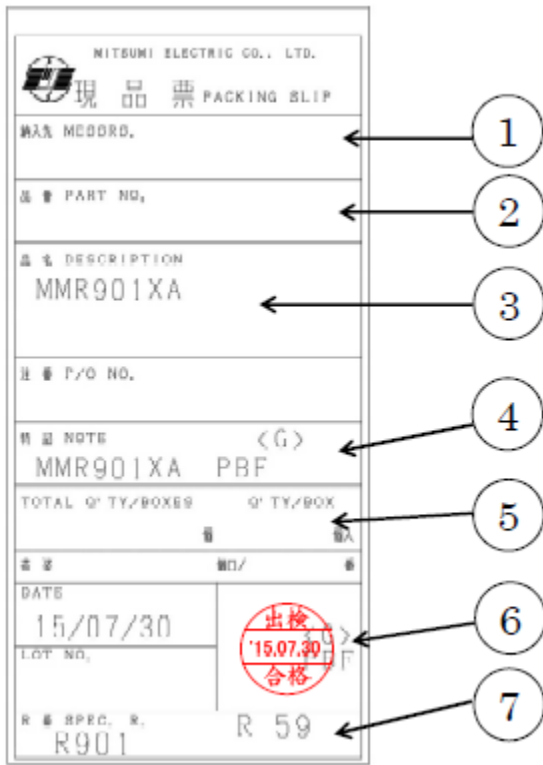
· BOX DIMENSION

UNIT : mm



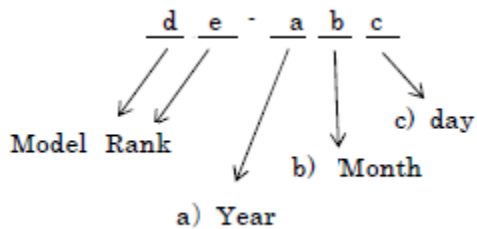
PUT MAX 8 BAGS IN THE CARTON BOX.
AFTER PACKING BY TAPE (6,400 PCS MAX)
PUT THE PACKING SLIP ON THE SIDE OF THE CARTON BOX.

PACKING SLIP SPECIFICATION



- ① CUSTOMER NAME
- ② CUSTOMER'S MODEL NAME
- ③ MITSUMI MODEL NAME
- ④ "G mark" meaning is RoHS-compliant.
- ⑤ PACKING Q'TY (PACK/CARTON)
- ⑥ QC STAMP(SHIPMENT DATE)
※This is pass-stamp about shipment inspection.
- ⑦ MITSUMI DRAWING NUMBER

MARK LOT NUMBER



a)	Production year			
b)	Production month			
	month	marking	month	marking
	JAN	1	JUL	7
	FEB	2	AUG	8
	MAR	3	SEP	9
	APR	4	OCT	J
	MAY	5	NOV	K
	JUN	6	DEC	L
c)	Production day			
	day	marking	day	marking
	1	1	16	G
	2	2	17	H
	3	3	18	J
	4	4	19	K
	5	5	20	L
	6	6	21	M
	7	7	22	N
	8	8	23	P
	9	9	24	R
	10	A	25	S
	11	B	26	T
	12	C	27	U
	13	D	28	V
	14	E	29	W
		F	30	X
		31	Y	

PACKING SPECIFICATIONS (TAPING, R HOUSING)

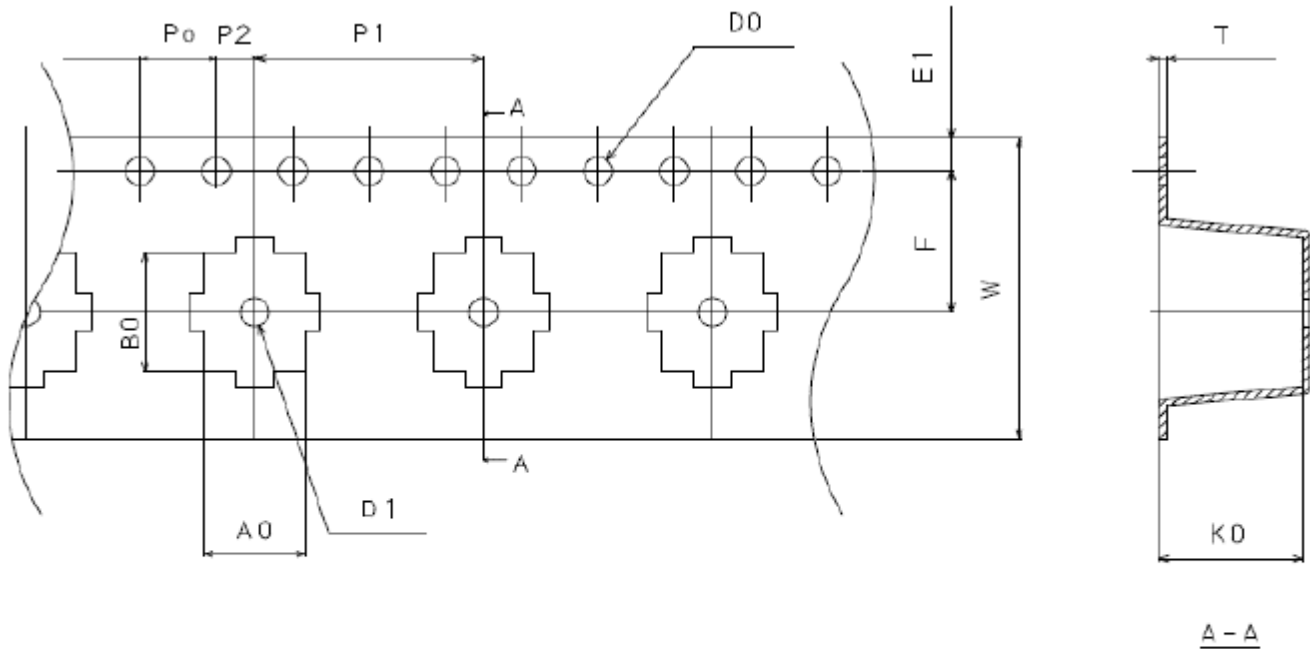
QUANTITY

- REEK PACKING 700 pcs/REEL
- BOX PACKING MAX 700 pcs /BOX (1REEL)

THE QUANTITY IS FILLED IN THE PACKING SLIP

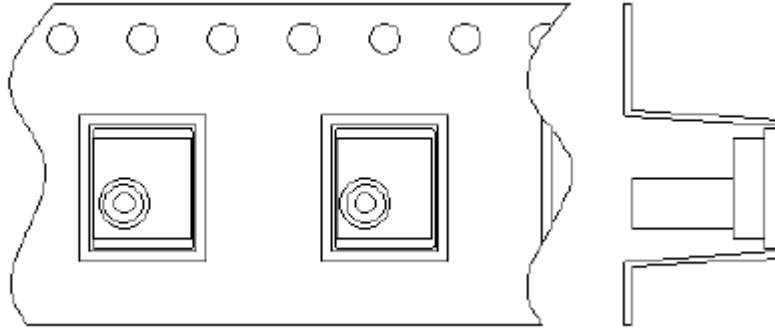
PACKING SPECIFICATIONS

- HOUSING SPECIFICATION



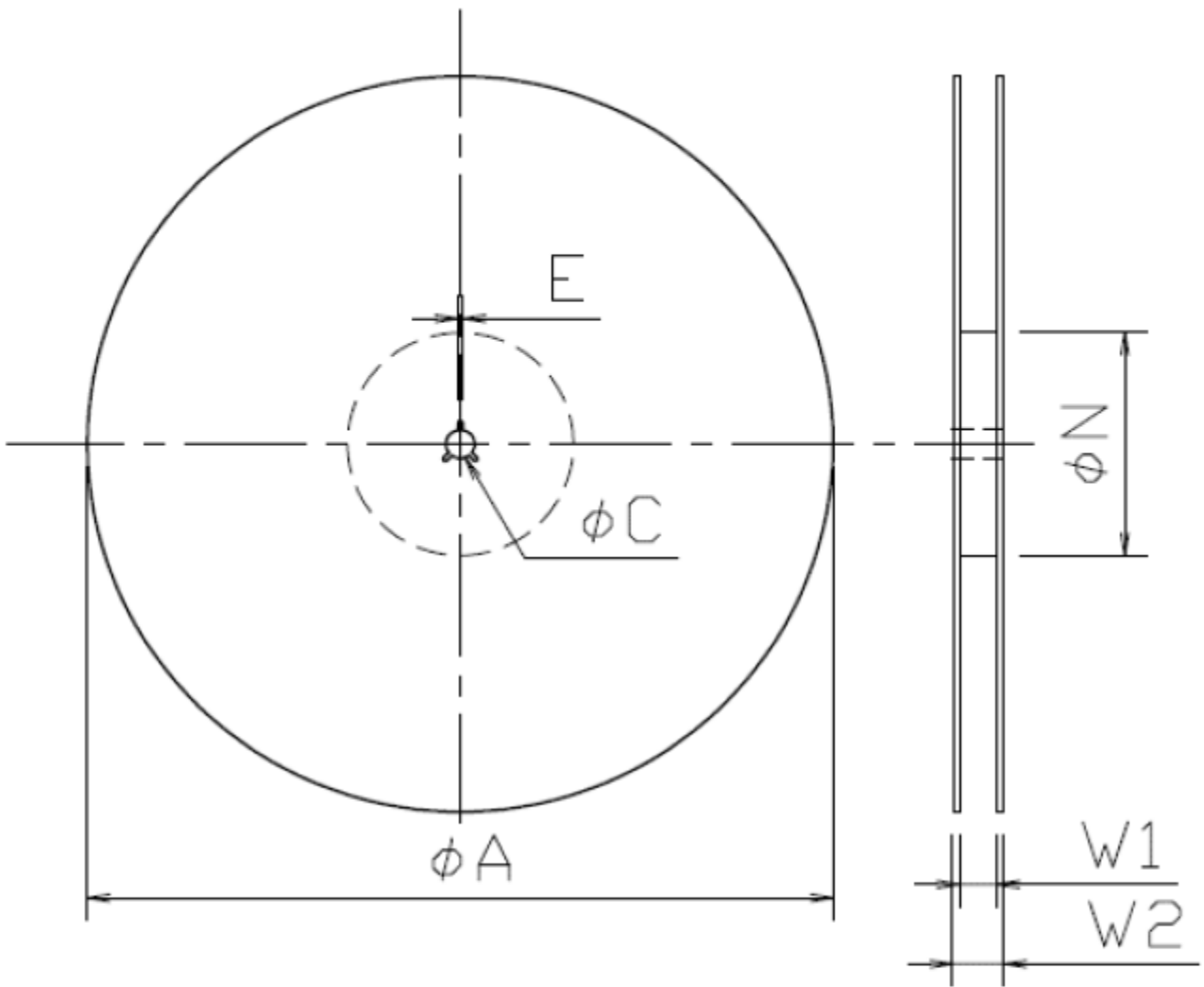
SYM.	A0	B0	W	F	E1	P1	P2	P0	φD0	T	K0	φD1
UNIT	5.3	6.3	16.0	7.5	1.75	12.0	2.0	4.0	1.5	0.4	7.6	1.5
mm	±0.1	±0.1	+0.3 -0.1	±0.1	±0.1	±0.1	±0.1	±0.1	+0.1 -0.0	±0.05	±0.1	±0.1

1. PRODUCTION STORAGE DIRECTION

R HOUSING

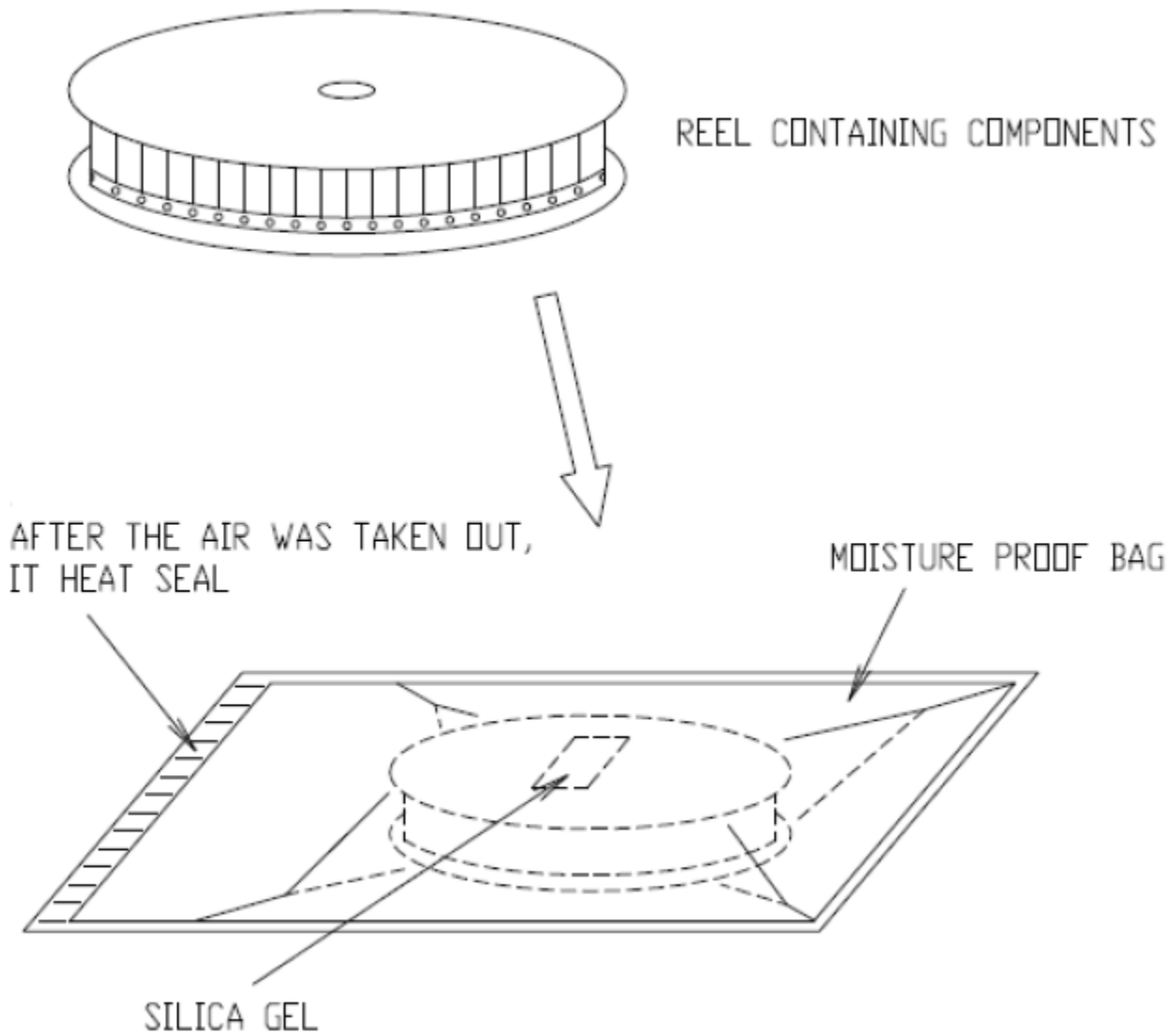
2. CARRIER TAPE MATERIEL : DISPOSED ELECTRICATION PREVENTION.
3. THE LENGTH OF LEADER TAPE : MORE THAN 100 mm INCLUDING 9 OR MORE EMBOSES IN WHICH NO COMPONENT IS PLACED.
4. THE LENGTH OF TRAILER TAPE : MORE THAN 160 mm INCLUDING EMBOSES IN WHICH NO COMPONENT IS PLACED.

REEL DIMENSION

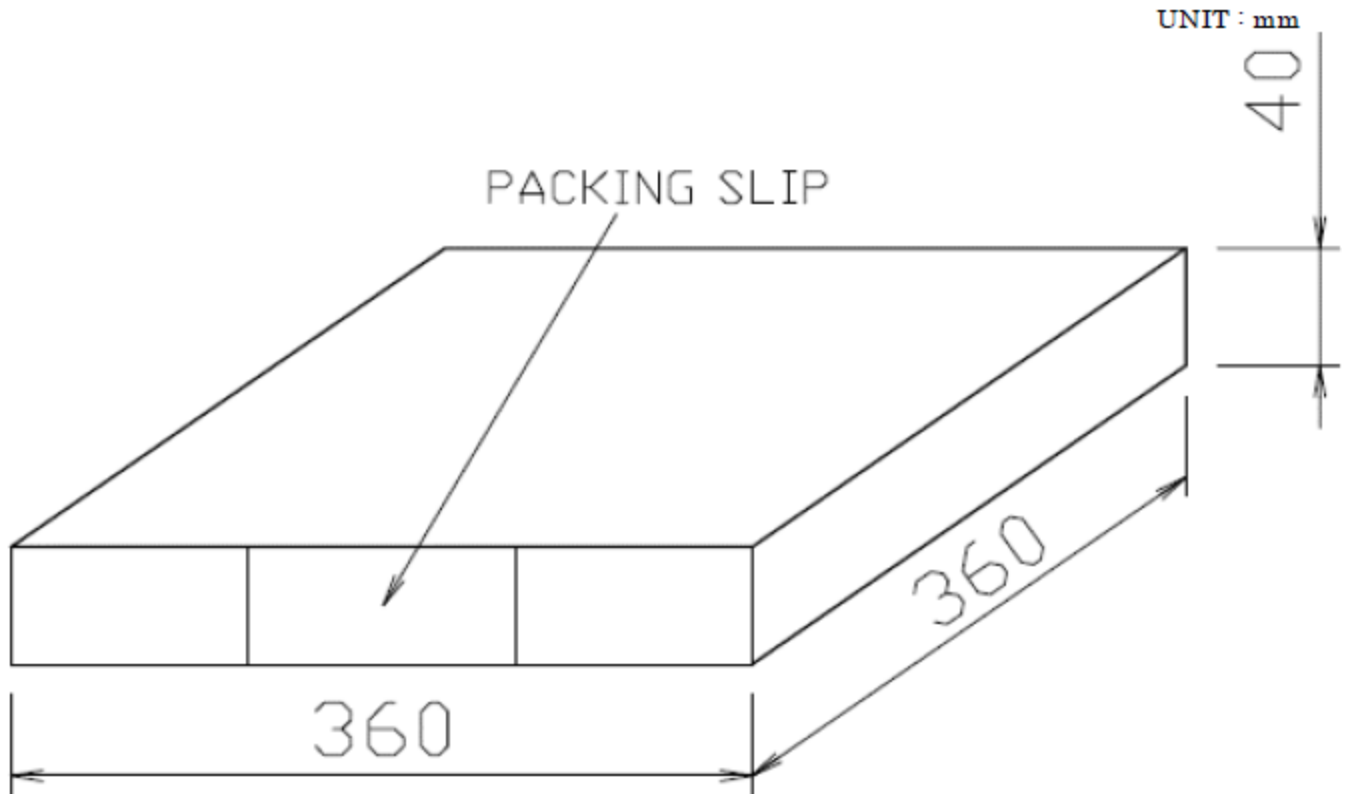


記号 SYM.	φA	φC	φN	E	W1	W2
UNIT	330	13.0	100	2.0	17.4	21.4
mm	±2.0	±0.2	±1.0	±0.5	±1.0	±1.0

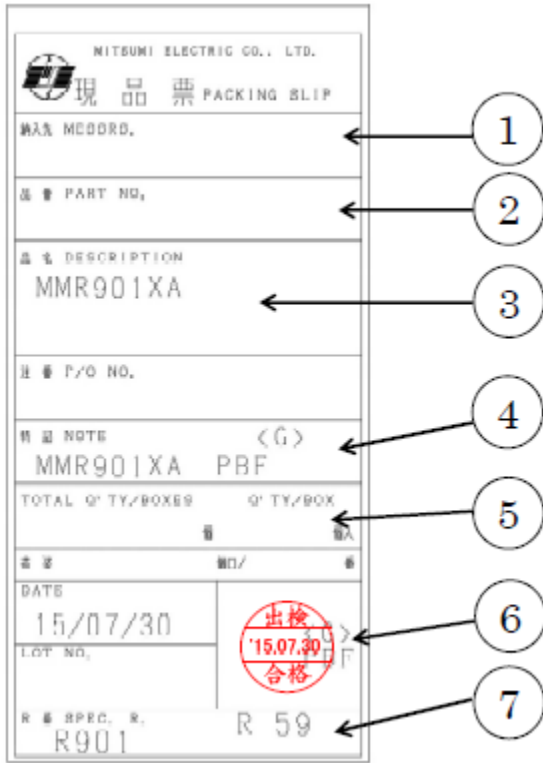
· MOISTURE PROOF PACKING



· BOX DIMENSION

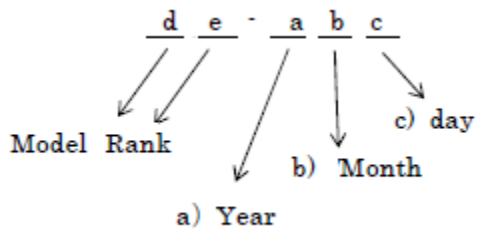


PACKING SLIP SPECIFICATION



- ① CUSTOMER NAME
- ② CUSTOMER'S MODEL NAME
- ③ MITSUMI MODEL NAME
- ④ "G mark" meaning is RoHS-compliant.
- ⑤ PACKING Q'TY (PACK/CARTON)
- ⑥ QC STAMP(SHIPMENT DATE)
※This is pass-stamp about shipment inspection.
- ⑦ MITSUMI DRAWING NUMBER

MARK LOT NUMBER



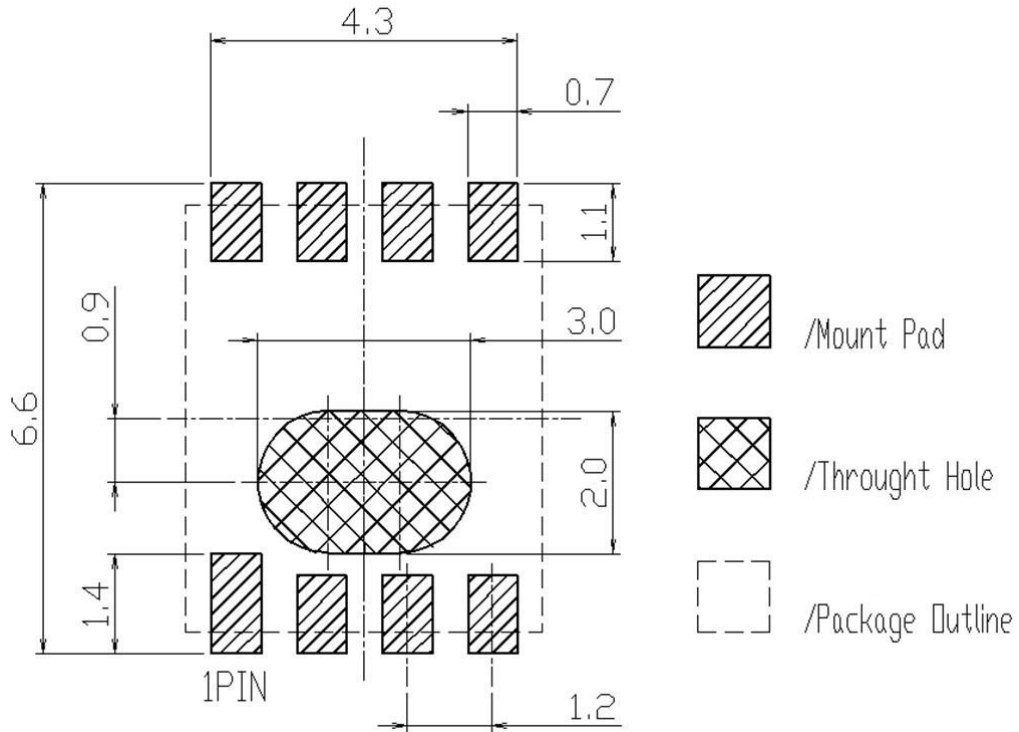
a)	Production year			
	Production month			
	month	marking	month	marking
	JAN	1	JUL	7
	FEB	2	AUG	8
	MAR	3	SEP	9
	APR	4	OCT	J
b)	MAY	5	NOV	K
	JUN	6	DEC	L
	Production day			
	day	marking	day	marking
	1	1	16	G
	2	2	17	H
	3	3	18	J
c)	4	4	19	K
	5	5	20	L
	6	6	21	M
	7	7	22	N
	8	8	23	P
	9	9	24	R
	10	A	25	S
	11	B	26	T
	12	C	27	U
	13	D	28	V
	14	E	29	W
	15	F	30	X
			31	Y

CONDITION FOR PACKAGE MOUNTING

Design example of mount pad

UNIT	mm
------	----

The dimension is for reference only and not guaranteed by design.

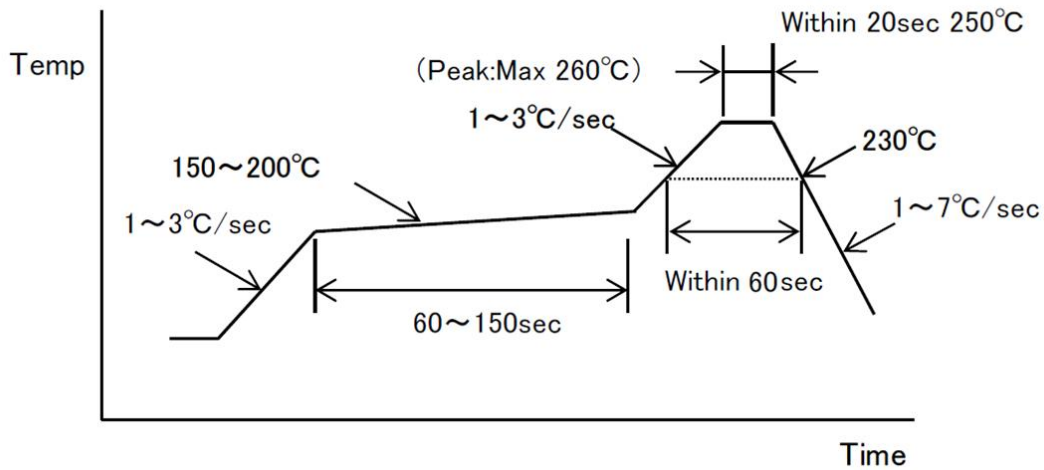


The dimension is for reference only and not guaranteed by design.

To design practically, correction should be made for optimized dimensions considering the effects of the board type to be mounted, mount (soldering) method, type and coating thickness of cream solder.

Pb-Free recommended profile condition

Reflow Soldering (max 2times)



This profile gives recommended values, which are not guaranteed.
For mounting the package, evaluate the profile with the equipment, conditions, and materials to be used.

- Mounting by flow soldering
Flow soldering cannot be used for mounting of this package.
- Mounting by manual soldering
Manual soldering cannot be used for mounting of this package.

In the case of cleaning, please use cotton swab, and also please keep soldering-solution from entering into the pressure and atmospheric pressure opening. Please do not use ultrasonic cleaning (dipping).

Cleaning method

Cleaning solution	Isopropyl alcohol
Solvent temperature	Max 45°C
Cleaning time	Within 3 min

Note

When insert a tube to this package, please keep direction of a tube at right angle with this package.
Also, after mounting by reflow, please make sure not to insert a tube to package before finish cooling.
If place an extra strain on cover nozzle, it is possible that occur cover nozzle broken, interface delamination between cover nozzle and printed wiring board. It has the potential to become air-leak problem.

Storage method

Storage condition

Store the device under the following conditions.

Temperature: 5~30°C

Humidity: 40~70%RH

Storage life: 1year

For the product in the moisture-proof packaging, follow these conditions after unpacking.

Temperature: 5~30°C

Humidity: 40~70%RH

Storage life: 168hours

Do not store this device where a large amount of dust or harmful volatile gas exists, electrostatic is easily charged, condensation is generated, or changes in temperature and humidity are wide, or under the direct sunlight.

Baking

If the storage time specified above has passed, mounting by soldering may cause cracks on the moistureabsorbed package. Before mounting, the package should be baked under the following conditions.

Temperature: 125°C

Treating time: 16 to 24 hours

Tray is not heat-resistant type.

Before baking, the device should be placed in a heat-resistant container.

In consideration of the time-consuming baking process and the possibility of deformed terminal, the device should be mounted promptly within the time observing the storage conditions.

If a long-term storage is needed, a desiccator or a dry box should be used.

Handling instructions

Shipping boxes must be handled with care because any drop or shock may damage the device.

Additionally, the device must be handled in the place with the protection against electrostatic charge and without extreme changes of temperature/humidity.

MITSUMI ELECTRIC CO.,LTD.

Strategy Engineering Department Semiconductor Business Division

Tel: +81-46-230-3470 / <http://www.mitsumi.co.jp>

Notes:

Any products mentioned this datasheet are subject to any modification in their appearance and others for improvements without prior notification. The details listed here are not a guarantee of the individual products at the time of ordering. When using the products, you will be asked to check their specifications.

X-ON Electronics

Largest Supplier of Electrical and Electronic Components

Click to view similar products for [Board Mount Pressure Sensors](#) category:

Click to view products by [MinebeaMitsumi](#) manufacturer:

Other Similar products are found below :

[6407-249V-17343P](#) [6407-250V-09273P](#) [6407-250V-09343P](#) [80527-25.0H2-05](#) [80541-B00000150-01](#) [80541-B00000200-05](#) [80554-00700100-05](#) [80568-00300050-01](#) [93.631.4253.0](#) [93.731.4353.0](#) [93.932.4553.0](#) [136PC15A1](#) [142PC95AW71](#) [142PC05DW70](#) [15PSI-G-4V1805-01A-L0N-B](#) [26PCBKT](#) [26PCCFA6D26](#) [26PCCFS2G](#) [26PCCVA6D](#) [93.632.7353.0](#) [93.731.3653.0](#) [93.931.4853.0](#) [93.932.4853.0](#) [SDP510-500PA](#) [185PC30DH](#) [20INCH-G-MV-MINI](#) [26PCAFJ3G](#) [26PCCEP5G24](#) [26PCCFJ3G](#) [26PCDFA3G](#) [26PCJEU5G19](#) [30INCH-D1-MV-MINI](#) [ASCX15AN-90](#) [ASCX15AN/SZ76114](#) [4426-015G](#) [4525-DS5A030DP](#) [DCAL401DN](#) [DCAL401GN](#) [4515-DS5A020DP](#) [XZ202798SSC](#) [XZ203676HSC](#) [6407-249V-09273P](#) [6407-249V-09343P](#) [6407-249V-17273P](#) [6407-250V-17273P](#) [6407-250V-17343P](#) [81717-00000050-05](#) [81794-B00001200-01](#) [82681-B00000100-01](#)