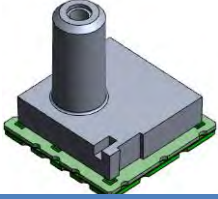


## Digital output Micro Pressure Sensor

## MMR920 Datasheet

### DESCRIPTION



The MMR920 digitally outputs a micro pressure value which was corrected. Customers need no correction because it corrects and outputs the differences of sensors and temperature characteristics. It does not require complicated sensor drive or control circuit, and devices with high performance can be made only with this module and an external microcontroller which will be the host.

### FEATURES

- Small package: 7.0(W) × 7.0(D) × 7.2(H)mm
- Operating pressure range  
C02 rank: -20~20cmH<sub>2</sub>O(-1.961~1.961kPa)  
C04 rank: -40~40cmH<sub>2</sub>O(-3.922~3.922kPa)  
C07 rank: -70~70cmH<sub>2</sub>O(-6.865~6.865kPa)  
C10 rank: -100~100cmH<sub>2</sub>O(-9.807~9.807kPa)
- Effective resolution: 0.002cmH<sub>2</sub>O<sub>RMS</sub> (98.1Pa<sub>RMS</sub>) (at MODE4)
- Pressure measurement error  
C02 rank: ±2.0[%FS]  
C04,C07,C10 rank: ±1.0 [%FS]
- It corrects the differences of sensors and temperature characteristics when shipped from our factory.
- It digitally outputs pressure value corrected in the module. (SPI/I<sup>2</sup>C)  
I<sup>2</sup>C slave address (7 bits) is 0x67
- Noise reduction is possible by a built-in Low Pass Filter.
- This product contains halogen.

rank	Pressure Unit Conversion Table							
	cmH <sub>2</sub> O	mbar	bar	psi	inchH <sub>2</sub> O	i.w.c	Pa	kPa
C02	±20	±19.61	±0.01961	±0.2845	±7.9402	±7.9402	±1961	±1.961
C04	±40	±39.23	±0.03923	±0.5689	±15.8804	±15.8804	±3922	±3.922
C07	±70	±68.65	±0.06865	±0.9956	±27.7907	±27.7907	±6865	±6.865
C10	±100	±98.07	±0.09807	±1.4223	±39.7010	±39.7010	±9807	±9.807

The contents of this document are subject to change without notice.

## Index

DESCRIPTION .....	1
FEATURES .....	1
BLOCK DIAGRAM.....	4
PIN CONFIGURATION.....	5
TERMINAL EXPLANATIONS .....	6
ABSOLUTE MAXIMUM RATINGS .....	7
RECOMMENDED OPERATING CONDITIONS .....	7
ELECTRICAL CHARACTERISTICS .....	8
Analog characteristics .....	8
Digital I/O.....	8
C02 rank Pressure sensor characteristics.....	9
C04 rank Pressure sensor characteristics.....	10
C07 rank Pressure sensor characteristics.....	11
C10 rank Pressure sensor characteristics.....	12
Temperature sensor characteristics .....	13
Definition of characteristics .....	13
FUNCTION EXPLANATION.....	15
Function Outline .....	15
State transition table .....	16
Command code .....	17
Flow chart of pressure/temperature measurement.....	20
Timing Chart .....	21
Low Pass Filter .....	22
SERIAL COMMUNICATION INTERFACE .....	23
Baud rate.....	23
SPI AC Characteristics.....	24
SPI format .....	25
I2C AC Characteristics .....	27
I2C format .....	28
TYPICAL APPLICATION CIRCUIT .....	30
TYPICAL PERFORMANCE CHARACTERISTICS .....	31
Analog characteristics .....	31
C02 rank Pressure sensor characteristics.....	35
C04 rank Pressure sensor characteristics.....	35
C07 rank Pressure sensor characteristics.....	37
C10 rank Pressure sensor characteristics.....	37
DIMENSIONS .....	38
MARKING CONTENTS .....	39
PRODUCT NAME.....	40
PRODUCT LINEUP .....	40
PRESSURE SENSOR LINEUP .....	41
NOTES.....	42
Safety Precautions.....	42
Application considerations during actual circuit design .....	42
Precautions for Foreign Exchange and Foreign Trade Control Act .....	43
Prohibitions for Industrial Property Rights .....	43
Precautions for Product Liability Act.....	43
Others .....	43
ATTENTION .....	43
ADDDITIONAL NOTES.....	43
PACKING SPECIFICATIONS (TRAY) .....	44
QUANTITY .....	44
PACKING SPECIFICATIONS .....	44

PACKING SPECIFICATIONS (TAPING, R HOUSING) ..... 49

    QUANTITY ..... 49

    PACKING SPECIFICATIONS ..... 49

CONDITION FOR PACKAGE MOUNTING ..... 55

    Design example of mount pad ..... 55

    Pb-Free recommended profile condition ..... 56

    Storage method ..... 57

BLOCK DIAGRAM

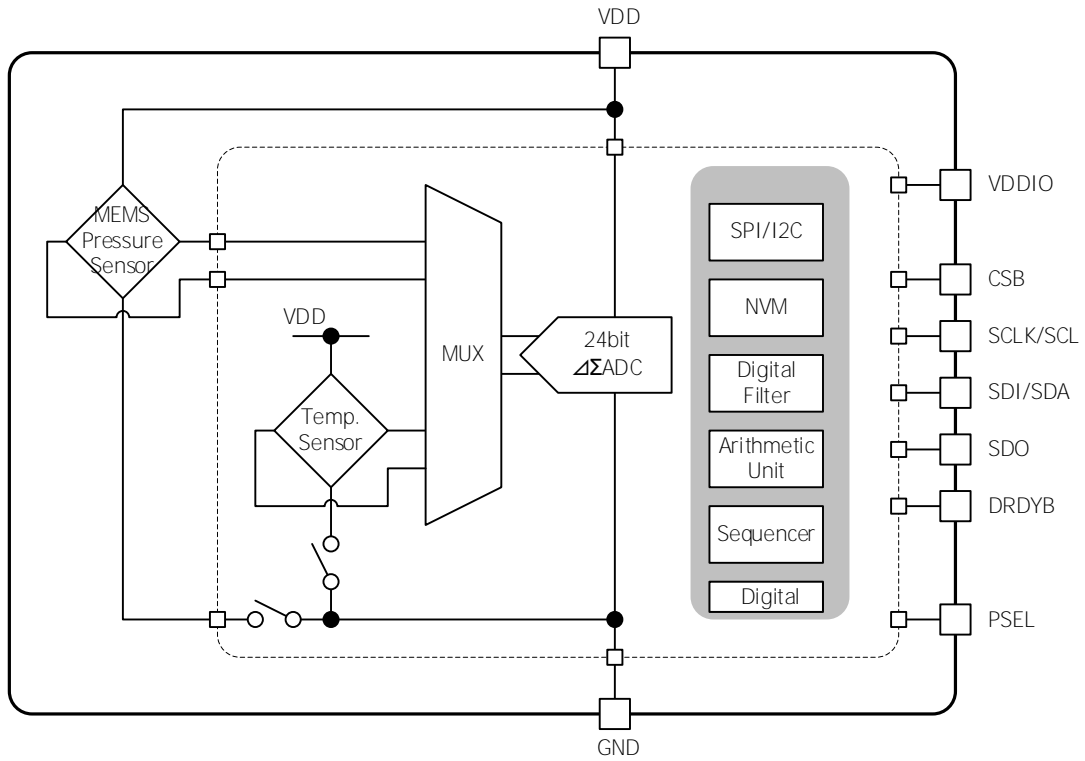


Fig. 1 Block diagram

PIN CONFIGURATION

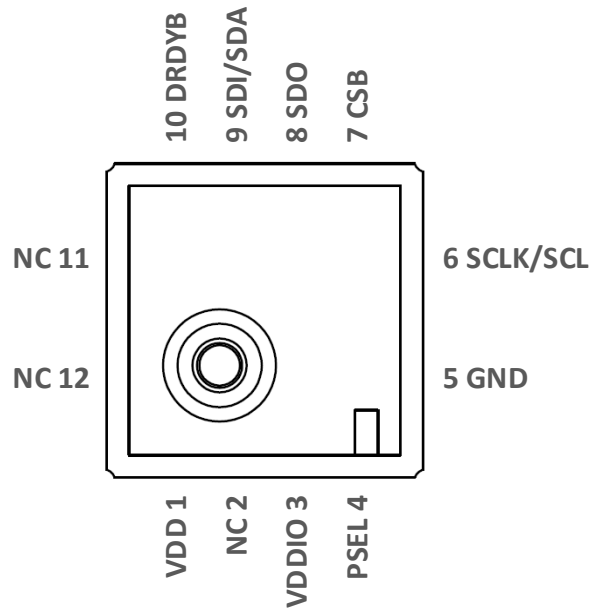


Fig. 2 Pin configuration (Top view)

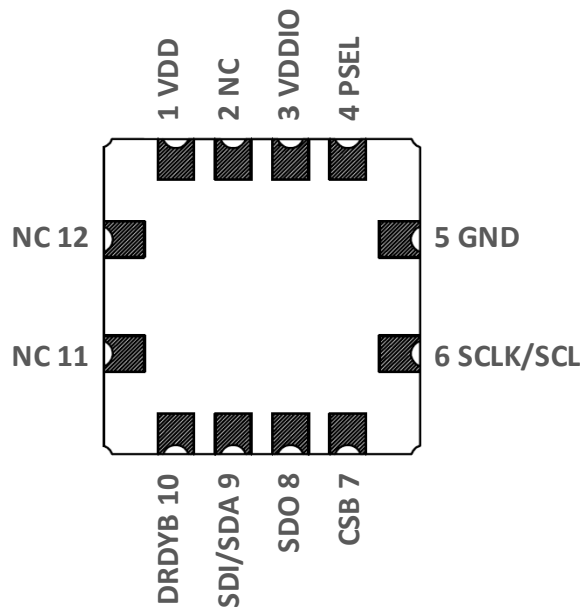


Fig. 3 Pin configuration (Bottom view)

## TERMINAL EXPLANATIONS

Table 1 Pin table

No.	Pin Name	Type	Function
1	VDD	I	Power-supply for analog circuit
2	NC	-	No connect.
3	VDDIO	I	Power-supply for digital I/O
4	PSEL	I	Protocol select terminal(High:SPI/Low:I2C) * PSEL is not pull-up / pull-down in the internal circuit. Please use it must be connected to VDDIO or GND.
5	GND	-	GND
6	SCLK SCL	I I/O	Serial clock for SPI communication (SCLK) Serial clock for I2C communication (SCL)
7	CSB	I	Chip select for SPI communication *Please set to open circuit when I2C is used
8	SDO	O	Serial Data Output for SPI communication (SDO=MISO) *Please set to open circuit when I2C is used
9	SDI SDA	I I/O	Serial Data Input for SPI communication (SDI=MOSI) Serial Data (Input and output) for I2C communication (SDA)
10	DRDYB	O	Output terminal which notifies the completion of pressure measurement and calculation correction (negative logic)
11	NC	-	No connect.
12	NC	-	No connect.

## ABSOLUTE MAXIMUM RATINGS

(unless otherwise specified, Ta=25°C)

Item	Symbol	Min.	Max.	Unit
Storage temperature range	T <sub>STG</sub>	-40	85	°C
Analog supply voltage	VDD <sub>MAX</sub>	-0.3	4.0	V
Digital I/O voltage	VDDIO <sub>MAX</sub>	-0.3	4.0	V
Overpressure (note <sup>1</sup> )	P <sub>MAX</sub>	-200 (-19.6)	200 (19.6)	cmH <sub>2</sub> O (kPa)
Burst pressure (note <sup>2</sup> )	P <sub>Burst</sub>	-500 (-49)	500 (49)	cmH <sub>2</sub> O (kPa)
Pressure medium (note <sup>3</sup> )	-	Non-Corrosive Gas (non-condensing )		-

note<sup>1</sup>: Overpressure is the maximum pressure to which the device can be taken and still meet specifications when return to the Operating pressure range.

note<sup>2</sup>: Burst pressure is the pressure at which the IC is damaged and leaks occur.

note<sup>3</sup>: Storage and operation in an environment of dry and non-corrosive gases.

## RECOMMENDED OPERATING CONDITIONS

(unless otherwise specified, Ta=25°C)

Item	Symbol	Min.	Typ.	Max.	Unit	
Operating temperature range	T <sub>OPR</sub>	-40	-	85	°C	
Analog supply voltage	VDD <sub>OPR</sub>	3.0	3.3	3.6	V	
Digital I/O voltage	VDDIO <sub>OPR</sub>	1.2	-	3.6	V	
Operating pressure range	C02 rank	P <sub>OPR</sub>	-20 (-1.961)	-	20 (1.961)	cmH <sub>2</sub> O (kPa)
			-40 (-3.922)	-	40 (3.922)	
			-70 (-6.865)	-	70 (6.865)	
			-100 (-9.807)	-	100 (9.807)	
Full Scale	C02 rank	FS	-	20 (1.961)	-	cmH <sub>2</sub> O (kPa)
			-	40 (3.922)	-	
			-	70 (6.865)	-	
			-	100 (9.807)	-	

The contents of this document are subject to change without notice.

## ELECTRICAL CHARACTERISTICS

Analog characteristics  
(unless  $T_a=25^\circ\text{C}$ ,  $V_{DD}=V_{DDIO}=3.3\text{V}$ )

Item	Symbol	Condition	Min.	Typ.	Max.	Unit.
VDD Current consumption	$I_{VDDact}$	Pressure measure active	640	800	960	$\mu\text{A}$
	$I_{VDDsd}$	Shutdown	-	0.01	0.1	
VDDIO Current consumption	$I_{VDDIOact}$	Pressure measure active	1.4	2.5	3.0	$\mu\text{A}$
	$I_{VDDIOsd}$	Shutdown	-	0.1	1.0	
Conversion time (note <sup>4</sup> )	$t_{con1}$	MODE1	0.385	0.395	0.405	msec
	$t_{con2}$	MODE2	0.770	0.790	0.810	
	$t_{con3}$	MODE3	1.54	1.58	1.62	
	$t_{con4}$	MODE4	3.08	3.16	3.24	

note<sup>4</sup>: The conversion time is longer when the temperature is measured once every 256 times and the characteristic correction is updated.

Digital I/O  
(unless otherwise specified,  $T_a=25^\circ\text{C}$ ,  $V_{DD}=3.0\sim 3.6\text{V}$ ,  $V_{DDIO}=1.2\sim 3.6\text{V}$ )

Item	Symbol	Conditions	Min.	Typ.	Max.	Unit
High level input voltage	$V_{IH}$	-	$0.8 \times V_{DDIO}$	-	$V_{DDIO} + 0.3$	V
Low level input voltage	$V_{IL}$	-	-0.3	-	$0.2 \times V_{DDIO}$	V
Output voltage High level	$V_{OH1}$	$V_{DDIO} \geq 2.0\text{V}$ $I_{OH} = -3\text{mA}$	$V_{DDIO} - 0.4$	-	-	V
	$V_{OH2}$	$V_{DDIO} < 2.0\text{V}$ $I_{OH} = -1\text{mA}$	$0.8 \times V_{DDIO}$	-	-	V
Output voltage Low level	$V_{OL1}$	$V_{DDIO} \geq 2.0\text{V}$ $I_{OL} = 3\text{mA}$	-	-	0.4	V
	$V_{OL2}$	$V_{DDIO} < 2.0\text{V}$ $I_{OL} = 1\text{mA}$	-	-	$0.2 \times V_{DDIO}$	V



## CO2 rank Pressure sensor characteristics

(unless otherwise specified, Ta=25°C, VDD=3.3V, VDDIO=1.2~3.6V)

Item	Symbol	Condition	Min.	Typ.	Max.	Unit
Operating pressure range	P <sub>OPR</sub>	-	-20	-	20	cmH2O
Full Scale	FS	-	-	20	-	cmH2O
Pressure resolution	P <sub>Res</sub>	-	-	0.00001	-	cmH2O
Pressure effective resolution	P <sub>Eres1</sub>	MODE1 (tcon1 = Typ 0.395ms)	-	0.019	0.076	cmH2O RMS
	P <sub>Eres2</sub>	MODE2 (tcon2 = Typ 0.790ms)	-	0.009	0.036	
	P <sub>Eres3</sub>	MODE3 (tcon3 = Typ 1.58ms)	-	0.004	0.016	
	P <sub>Eres4</sub>	MODE4 (tcon4 = Typ 3.16ms)	-	0.002	0.008	
Pressure measurement error	P <sub>Err</sub>	-20 ~ 20cmH2O Ta = 0°C~50°C	-2.0	-	2.0	%FS (note <sup>5</sup> )
		-20 ~ 20cmH2O Ta = -20°C~85°C	-6.0	-	6.0	
Pressure span accuracy	P <sub>Sacc</sub>	-20 ~ 20cmH2O Ta = 0°C~50°C	-1.30	-	1.30	%FS (note <sup>5</sup> )
		-20 ~ 20cmH2O Ta = -20°C~85°C	-4.00	-	4.00	
Pressure span accuracy Long term drift	P <sub>Std</sub>	-20 ~ 20cmH2O Ta = 0°C~50°C Test condition = 0~50°C 1000h	-	-	±0.7	%FS (note <sup>5</sup> )
Pressure linearity	P <sub>L</sub>	-20 ~ 20cmH2O Ta = 0°C~50°C	-0.44	-	0.44	%FS (note <sup>5</sup> )
		-20 ~ 20cmH2O Ta = -20°C~85°C	-1.20	-	1.20	

note<sup>5</sup>: Ratio to Full Scale (20cmH2O).

## C04 rank Pressure sensor characteristics

(unless otherwise specified, Ta=25°C, VDD=3.3V, VDDIO=1.2~3.6V)

Item	Symbol	Condition	Min.	Typ.	Max.	Unit
Operating pressure range	P <sub>OPR</sub>	-	-40	-	40	cmH <sub>2</sub> O
Full Scale	FS	-	-	40	-	cmH <sub>2</sub> O
Pressure resolution	P <sub>Res</sub>	-	-	0.00001	-	cmH <sub>2</sub> O
Pressure effective resolution	P <sub>Eres1</sub>	MODE1 (tcon1 = Typ 0.395ms)	-	0.019	0.076	cmH <sub>2</sub> O RMS
	P <sub>Eres2</sub>	MODE2 (tcon2 = Typ 0.790ms)	-	0.009	0.036	
	P <sub>Eres3</sub>	MODE3 (tcon3 = Typ 1.58ms)	-	0.004	0.016	
	P <sub>Eres4</sub>	MODE4 (tcon4 = Typ 3.16ms)	-	0.002	0.008	
Pressure measurement error	P <sub>Err</sub>	-40 ~ 40cmH <sub>2</sub> O Ta = 0°C~50°C	-1.0	-	1.0	%FS (note <sup>6</sup> )
		-40 ~ 40cmH <sub>2</sub> O Ta = -20°C~85°C	-3.0	-	3.0	
Pressure span accuracy	P <sub>Sacc</sub>	-40 ~ 40cmH <sub>2</sub> O Ta = 0°C~50°C	-0.65	-	0.65	%FS (note <sup>6</sup> )
		-40 ~ 40cmH <sub>2</sub> O Ta = -20°C~85°C	-2.00	-	2.00	
Pressure span accuracy Long term drift	P <sub>Std</sub>	-40 ~ 40cmH <sub>2</sub> O Ta = 0°C~50°C Test condition = 0~50°C 1000h	-	-	±0.35	%FS (note <sup>6</sup> )
Pressure linearity	P <sub>L</sub>	-40 ~ 40cmH <sub>2</sub> O Ta = 0°C~50°C	-0.22	-	0.22	%FS (note <sup>6</sup> )
		-40 ~ 40cmH <sub>2</sub> O Ta = -20°C~85°C	-0.60	-	0.60	

note<sup>6</sup>: Ratio to Full Scale (40cmH<sub>2</sub>O).

## C07 rank Pressure sensor characteristics

(unless otherwise specified, Ta=25°C, VDD=3.3V, VDDIO=1.2~3.6V)

Item	Symbol	Condition	Min.	Typ.	Max.	Unit
Operating pressure range	P <sub>OPR</sub>	-	-70	-	70	cmH <sub>2</sub> O
Full Scale	FS	-	-	70	-	cmH <sub>2</sub> O
Pressure resolution	P <sub>Res</sub>	-	-	0.00002	-	cmH <sub>2</sub> O
Pressure effective resolution	P <sub>Eres1</sub>	MODE1 (tcon1 = Typ 0.395ms)	-	0.019	0.076	cmH <sub>2</sub> O RMS
	P <sub>Eres2</sub>	MODE2 (tcon2 = Typ 0.790ms)	-	0.009	0.036	
	P <sub>Eres3</sub>	MODE3 (tcon3 = Typ 1.58ms)	-	0.004	0.016	
	P <sub>Eres4</sub>	MODE4 (tcon4 = Typ 3.16ms)	-	0.002	0.008	
Pressure measurement error	P <sub>Err</sub>	-70 ~ 70cmH <sub>2</sub> O Ta = 0°C~50°C	-1.0	-	1.0	%FS (note <sup>7</sup> )
		-70 ~ 70cmH <sub>2</sub> O Ta = -20°C~85°C	-3.0	-	3.0	
Pressure span accuracy	P <sub>Sacc</sub>	-70 ~ 70cmH <sub>2</sub> O Ta = 0°C~50°C	-0.65	-	0.65	%FS (note <sup>7</sup> )
		-70 ~ 70cmH <sub>2</sub> O Ta = -20°C~85°C	-2.00	-	2.00	
Pressure span accuracy Long term drift	P <sub>Std</sub>	-70 ~ 70cmH <sub>2</sub> O Ta = 0°C~50°C Test condition = 0~50°C 1000h	-	-	±0.35	%FS (note <sup>7</sup> )
Pressure linearity	P <sub>L</sub>	-70 ~ 70cmH <sub>2</sub> O Ta = 0°C~50°C	-0.22	-	0.22	%FS (note <sup>7</sup> )
		-70 ~ 70cmH <sub>2</sub> O Ta = -20°C~85°C	-0.60	-	0.60	

note<sup>7</sup>: Ratio to Full Scale (70cmH<sub>2</sub>O).

## C10 rank Pressure sensor characteristics

(unless otherwise specified, Ta=25°C, VDD=3.3V, VDDIO=1.2~3.6V)

Item	Symbol	Condition	Min.	Typ.	Max.	Unit
Operating pressure range	P <sub>OPR</sub>	-	-100	-	100	cmH2O
Full Scale	FS	-	-	100	-	cmH2O
Pressure resolution	P <sub>Res</sub>	-	-	0.00002	-	cmH2O
Pressure effective resolution	P <sub>Eres1</sub>	MODE1 (tcon1 = Typ 0.395ms)	-	0.019	0.076	cmH2O RMS
	P <sub>Eres2</sub>	MODE2 (tcon2 = Typ 0.790ms)	-	0.009	0.036	
	P <sub>Eres3</sub>	MODE3 (tcon3 = Typ 1.58ms)	-	0.004	0.016	
	P <sub>Eres4</sub>	MODE4 (tcon4 = Typ 3.16ms)	-	0.002	0.008	
Pressure measurement error	P <sub>Err</sub>	-100 ~ 100cmH2O Ta = 0°C~50°C	-1.0	-	1.0	%FS (note <sup>8</sup> )
		-100 ~ 100cmH2O Ta = -20°C~85°C	-3.0	-	3.0	
Pressure span accuracy	P <sub>Sacc</sub>	-100 ~ 100cmH2O Ta = 0°C~50°C	-0.65	-	0.65	%FS (note <sup>8</sup> )
		-100 ~ 100cmH2O Ta = -20°C~85°C	-2.00	-	2.00	
Pressure span accuracy Long term drift	P <sub>Std</sub>	-100 ~ 100cmH2O Ta = 0°C~50°C Test condition = 0~50°C 1000h	-	-	±0.35	%FS (note <sup>8</sup> )
Pressure linearity	P <sub>L</sub>	-100 ~ 100cmH2O Ta = 0°C~50°C	-0.22	-	0.22	%FS (note <sup>8</sup> )
		-100 ~ 100cmH2O Ta = -20°C~85°C	-0.60	-	0.60	

note<sup>8</sup>: Ratio to Full Scale (100cmH2O).

Temperature sensor characteristics  
 (unless otherwise specified,  $T_a=25^{\circ}\text{C}$ ,  $V_{DD}=3.3\text{V}$   $V_{DDIO}=1.2\sim 3.6\text{V}$ )

Item	Symbol	Conditions	Min.	Typ.	Max.	Unit
Temperature measurement error	$T_{acc}$	$0^{\circ}\text{C}\sim 50^{\circ}\text{C}$	-2.0	-	2.0	$^{\circ}\text{C}$

Definition of characteristics

Pressure measurement value  $P_{result}$

It is the device output value obtained by Read Pressure Result Command.

Pressure resolution  $P_{Res}$

This Value is equivalent to 1LSB of output digital value.

Pressure effective resolution  $P_{Eres}$

Measure 16 points after the pressure output is stable, and it is the standard deviation of the 16 points.

Pressure measurement error  $P_{Err}$

It is the deviation amount of the Pressure measurement value from the ideal line. (Refer to Fig. 4)

Fig. 5 shows source of error included in the pressure measurement error.

Pressure linearity  $P_L$

It is the amount of deviation from the Ref. line connecting measurement value  $-FS$  cmH2O with  $FS$  cmH2O.

(Refer to Fig. 4)

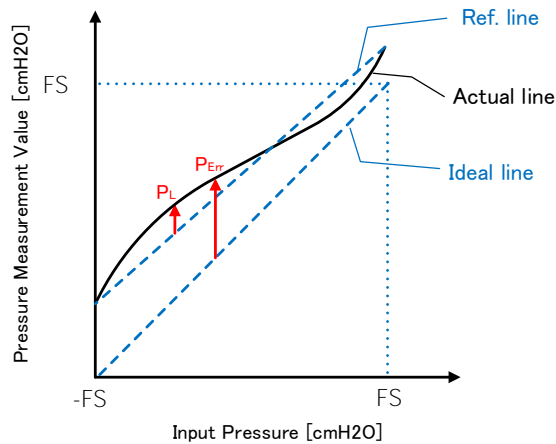


Fig. 4 Definition of Characteristics

Pressure span accuracy  $P_{Sacc}$

It is the accuracy removing the error caused by the offset from the pressure measurement error. (Refer to Fig. 5)

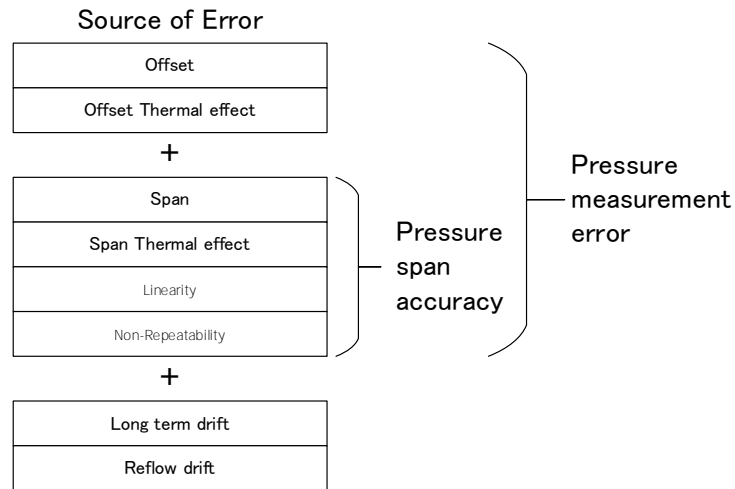


Fig. 5 Source of Error

Pressure span accuracy Long term drift  $P_{Std}$

The amount of fluctuation in Pressure span accuracy over a long term.

## FUNCTION EXPLANATION

### Function Outline

The MMR920 is consists of piezo resistive pressure sensor and an analog front end IC.

It converts analog output voltage from piezo resistive pressure sensor to digital value of 24 bits, and corrects and outputs variations of sensor characteristics due to variations of temperature and process.

Conversion time and Pressure effective resolution are selectable with the mode of different four. Conversion time and Pressure effective resolution are in the relationship of trade-off.

Noise reduction is possible by a built-in Low Pass Filter. Cutoff frequency of Low Pass Filter can be changed.

State transition table

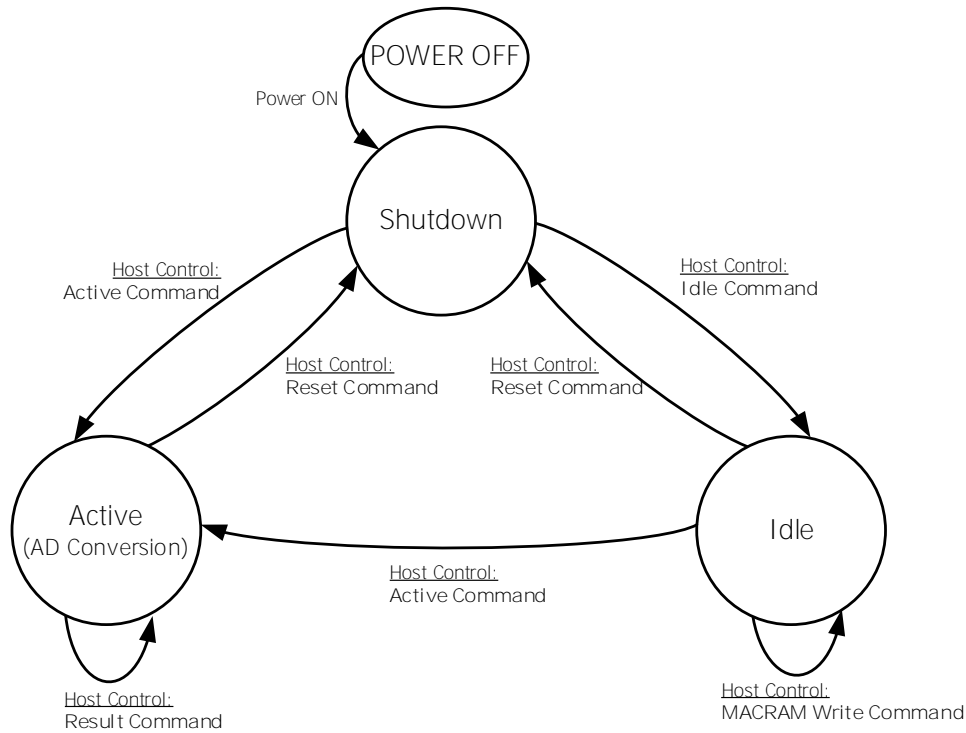


Fig. 6 State transition diagram

Table 2 State transition table

State Command	Shutdown	Active	Idle
Reset	Power on Reset & Initial Boot =>Shutdown	Power on Reset & Initial Boot =>Shutdown	Power on Reset & Initial Boot =>Shutdown
Active	Reset & Boot Load =>Active state(AD conversion)	Ignore(note <sup>9</sup> ) =>Keep state	=>Active state (AD conversion)
Result	Ignore(note <sup>9</sup> ) =>Keep state	Output result =>Keep state	Do not issue(note <sup>10</sup> ) =>Keep state
Idle	Reset & Boot Load =>Idle state	Do not issue(note <sup>11</sup> ) =>Idle state	=>Keep state
MACRAM Write	Ignore(note <sup>9</sup> ) =>Keep state	Do not issue(note <sup>11</sup> ) =>Keep state	Change cutoff frequency =>Keep state
Status	Output code =>Keep state	Output code =>Keep state	Output code =>Keep state

note<sup>9</sup>: NACK is returned to the command.

note<sup>10</sup>: **The correct result isn't output. Additionally, ACK is returned to the command.**

note<sup>11</sup>: Although command is acceptable, it goes unintended behavior since sequence is running.



Command code

Table 3 Command code list

Command Name		Command Code									Applicable format
		HEX.	BIN.								
			C7	C6	C5	C4	C3	C2	C1	C0	
Reset		0x72	0	1	1	1	0	0	1	0	<a href="#">SPI Write format</a> <a href="#">I2C Write format</a>
		Reset and Return to Shutdown state. It becomes busy for the maximum 1.8msec.									
Idle		0x94	1	0	0	1	0	1	0	0	<a href="#">SPI Write format</a> <a href="#">I2C Write format</a>
		Start up the internal circuit and put it in the idle state.									
Active	Measure at MODE 1	0xA0	1	0	1	0	0	0	0	0	<a href="#">SPI Write format</a> <a href="#">I2C Write format</a>
	Measure at MODE 2	0xA2	1	0	1	0	0	0	1	0	
	Measure at MODE 3	0xA4	1	0	1	0	0	1	0	0	
	Measure at MODE 4	0xA6	1	0	1	0	0	1	1	0	
		Start AD conversion.									

Table 4 Command code list (continued)

Command Name		Command Code								Applicable format																								
		HEX.	BIN.																															
			C7	C6	C5	C4	C3	C2	C1		C0																							
Normal	0xC0	1	1	0	0	0	0	0	0	<a href="#">SPI Write/Read format</a> <a href="#">I2C Combined format</a>																								
With Low Pass Filter	0xC4	1	1	0	0	0	1	0	0																									
Read Pressure Result		Read compensated pressure result. It outputs the result of pressure measurement at 24bits, MSB first. A negative number is <b>expressed by 2's complement</b> . About output range, in case of positive output : 000000 h ~ 7FFFFFF h (in decimal number : 0 ~ 8388607), in case of negative output : FFFFFFF h ~ 800000 h (in decimal number : -1 ~ -8388608) However, the result of measurement when being used beyond a recommended operating condition can't be guaranteed.  C02 rank, C04 rank Pressure value = DEC. / 10 <sup>5</sup>  Output example:																																
		<table border="1"> <thead> <tr> <th>HEX.</th> <th>DEC.</th> <th>Pressure</th> </tr> </thead> <tbody> <tr> <td>800000 h</td> <td>-8388608</td> <td>-83.88608 cmH2O</td> </tr> <tr> <td>C2F700 h</td> <td>-4000000</td> <td>-40.00000 cmH2O</td> </tr> <tr> <td>E17B80 h</td> <td>-2000000</td> <td>-20.00000 cmH2O</td> </tr> <tr> <td>FFFFFF h</td> <td>-1</td> <td>-0.00001 cmH2O</td> </tr> <tr> <td>000000 h</td> <td>0</td> <td>0.00000 cmH2O</td> </tr> <tr> <td>000001 h</td> <td>1</td> <td>0.00001 cmH2O</td> </tr> <tr> <td>1E8480 h</td> <td>2000000</td> <td>20.00000 cmH2O</td> </tr> <tr> <td>3D0900 h</td> <td>4000000</td> <td>40.00000 cmH2O</td> </tr> <tr> <td>7FFFFFF h</td> <td>8388607</td> <td>83.88607 cmH2O</td> </tr> </tbody> </table>			HEX.	DEC.	Pressure	800000 h	-8388608	-83.88608 cmH2O	C2F700 h	-4000000	-40.00000 cmH2O	E17B80 h	-2000000	-20.00000 cmH2O	FFFFFF h	-1	-0.00001 cmH2O	000000 h	0	0.00000 cmH2O	000001 h	1	0.00001 cmH2O	1E8480 h	2000000	20.00000 cmH2O	3D0900 h	4000000	40.00000 cmH2O	7FFFFFF h	8388607	83.88607 cmH2O
		HEX.	DEC.	Pressure																														
		800000 h	-8388608	-83.88608 cmH2O																														
		C2F700 h	-4000000	-40.00000 cmH2O																														
		E17B80 h	-2000000	-20.00000 cmH2O																														
		FFFFFF h	-1	-0.00001 cmH2O																														
		000000 h	0	0.00000 cmH2O																														
		000001 h	1	0.00001 cmH2O																														
		1E8480 h	2000000	20.00000 cmH2O																														
3D0900 h	4000000	40.00000 cmH2O																																
7FFFFFF h	8388607	83.88607 cmH2O																																
C07 rank, C10 rank Pressure value = DEC. x 2 / 10 <sup>5</sup>  Output example:																																		
<table border="1"> <thead> <tr> <th>HEX.</th> <th>DEC.</th> <th>Pressure</th> </tr> </thead> <tbody> <tr> <td>800000 h</td> <td>-8388608</td> <td>-167.77216 cmH2O</td> </tr> <tr> <td>B3B4C0 h</td> <td>-5000000</td> <td>-100.00000 cmH2O</td> </tr> <tr> <td>CA9820 h</td> <td>-3500000</td> <td>-70.00000 cmH2O</td> </tr> <tr> <td>FFFFFF h</td> <td>-1</td> <td>-0.00002 cmH2O</td> </tr> <tr> <td>000000 h</td> <td>0</td> <td>0.00000 cmH2O</td> </tr> <tr> <td>000001 h</td> <td>1</td> <td>0.00002 cmH2O</td> </tr> <tr> <td>3567E0 h</td> <td>3500000</td> <td>70.00000 cmH2O</td> </tr> <tr> <td>4C4B40 h</td> <td>5000000</td> <td>100.00000 cmH2O</td> </tr> <tr> <td>7FFFFFF h</td> <td>8388607</td> <td>167.77214 cmH2O</td> </tr> </tbody> </table>			HEX.	DEC.	Pressure	800000 h	-8388608	-167.77216 cmH2O	B3B4C0 h	-5000000	-100.00000 cmH2O	CA9820 h	-3500000	-70.00000 cmH2O	FFFFFF h	-1	-0.00002 cmH2O	000000 h	0	0.00000 cmH2O	000001 h	1	0.00002 cmH2O	3567E0 h	3500000	70.00000 cmH2O	4C4B40 h	5000000	100.00000 cmH2O	7FFFFFF h	8388607	167.77214 cmH2O		
HEX.	DEC.	Pressure																																
800000 h	-8388608	-167.77216 cmH2O																																
B3B4C0 h	-5000000	-100.00000 cmH2O																																
CA9820 h	-3500000	-70.00000 cmH2O																																
FFFFFF h	-1	-0.00002 cmH2O																																
000000 h	0	0.00000 cmH2O																																
000001 h	1	0.00002 cmH2O																																
3567E0 h	3500000	70.00000 cmH2O																																
4C4B40 h	5000000	100.00000 cmH2O																																
7FFFFFF h	8388607	167.77214 cmH2O																																

Table 5 Command code list (continued)

Command Name	Command Code									Applicable format																																			
	HEX.	BIN.																																											
		C7	C6	C5	C4	C3	C2	C1	C0																																				
Read Temperature Result	0xC2	1	1	0	0	0	0	1	0	<a href="#">SPI Write/Read format</a> <a href="#">I2C Combined format</a>																																			
	<p>Read compensated temperature result. It outputs the result of pressure measurement at 24bits, MSB first. <b>A negative number is expressed by 2's complement.</b> About output range, in case of positive output : 000000 h ~ 7FFFFFFF h (in decimal number : 0 ~ 8388607), in case of negative output : FFFFFFFF h ~ 800000 h (in decimal number : -1 ~ -8388608) However, the result of measurement when being used beyond a recommended operating condition can't be guaranteed.</p> <p>Temperature value = DEC. / 2<sup>7</sup></p> <p>Output example:</p> <table border="1"> <thead> <tr> <th>HEX.</th> <th>DEC.</th> <th>Temperature</th> </tr> </thead> <tbody> <tr> <td>000000 h</td> <td>0</td> <td>0.000 °C</td> </tr> <tr> <td>000C80 h</td> <td>3200</td> <td>25.000 °C</td> </tr> <tr> <td>001900 h</td> <td>6400</td> <td>50.000 °C</td> </tr> </tbody> </table>										HEX.	DEC.	Temperature	000000 h	0	0.000 °C	000C80 h	3200	25.000 °C	001900 h	6400	50.000 °C																							
HEX.	DEC.	Temperature																																											
000000 h	0	0.000 °C																																											
000C80 h	3200	25.000 °C																																											
001900 h	6400	50.000 °C																																											
Status	0x80	1	0	0	0	0	0	0	0	<a href="#">SPI Write/Read format</a> <a href="#">I2C Combined format</a>																																			
	<p>Output 8bits data depending on the IC conditions</p> <table border="1"> <thead> <tr> <th>D7</th> <th>D6</th> <th>D5</th> <th>D4</th> <th>D3</th> <th>D2</th> <th>D1</th> <th>D0</th> <th>State</th> </tr> </thead> <tbody> <tr> <td>0</td> <td>0</td> <td>0</td> <td>0</td> <td>0</td> <td>0</td> <td>0</td> <td>0</td> <td>Shutdown</td> </tr> <tr> <td>1</td> <td>1</td> <td>1</td> <td>0</td> <td>0</td> <td>1</td> <td>0</td> <td>1</td> <td>Idle</td> </tr> <tr> <td>1</td> <td>1</td> <td>1</td> <td>0</td> <td>1</td> <td>1</td> <td>0</td> <td>1</td> <td>Active</td> </tr> </tbody> </table>										D7	D6	D5	D4	D3	D2	D1	D0	State	0	0	0	0	0	0	0	0	Shutdown	1	1	1	0	0	1	0	1	Idle	1	1	1	0	1	1	0	1
D7	D6	D5	D4	D3	D2	D1	D0	State																																					
0	0	0	0	0	0	0	0	Shutdown																																					
1	1	1	0	0	1	0	1	Idle																																					
1	1	1	0	1	1	0	1	Active																																					
MACRAM Write	0xE4	1	1	1	0	0	1	0	0	<a href="#">SPI MACRAM Write format</a> <a href="#">I2C MACRAM Write format</a> (special format)																																			
	It is used for writing filter coefficient. For the filter coefficient, refer to <a href="#">10-6. LowPassFilter</a> .																																												

Flow chart of pressure/temperature measurement

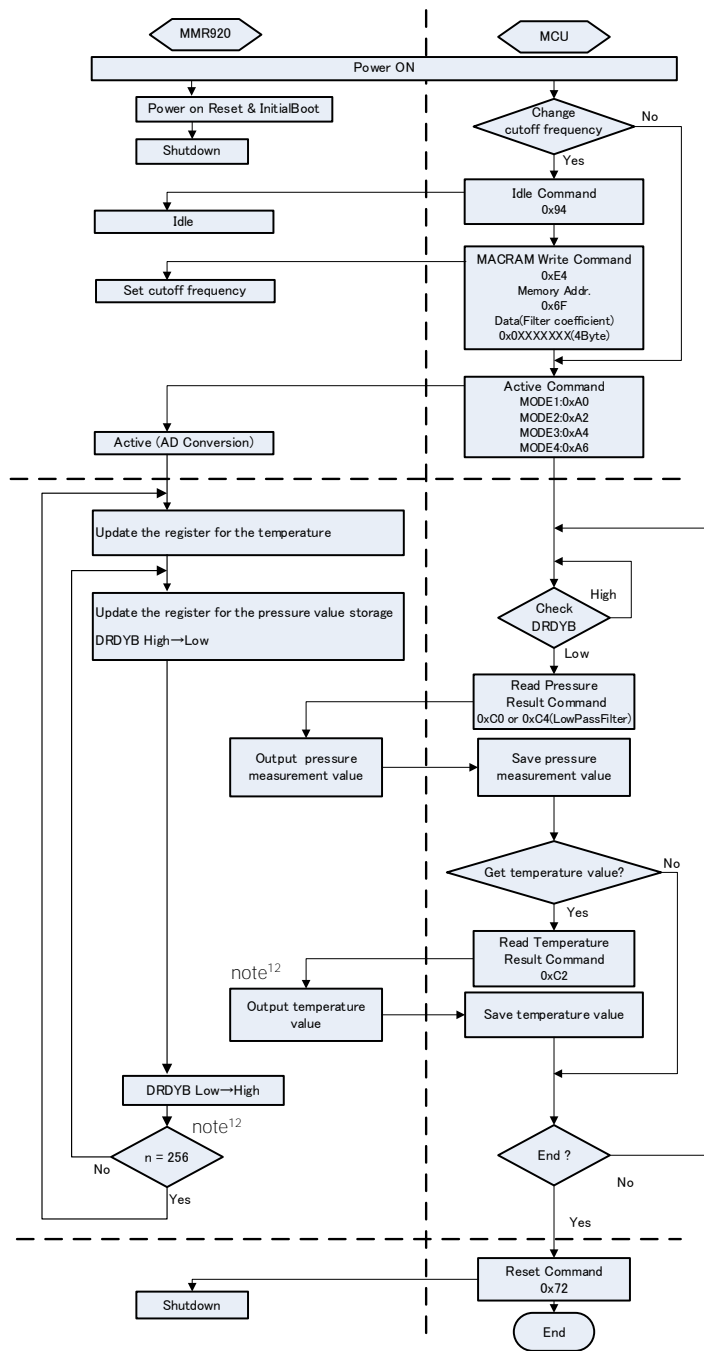


Fig. 7 Flow chart of pressure/temperature measurement

note<sup>12</sup>: Temperature is measured once every 256 times and the pressure characteristic correction is updated. Conversion time will be longer at this timing.

Timing Chart

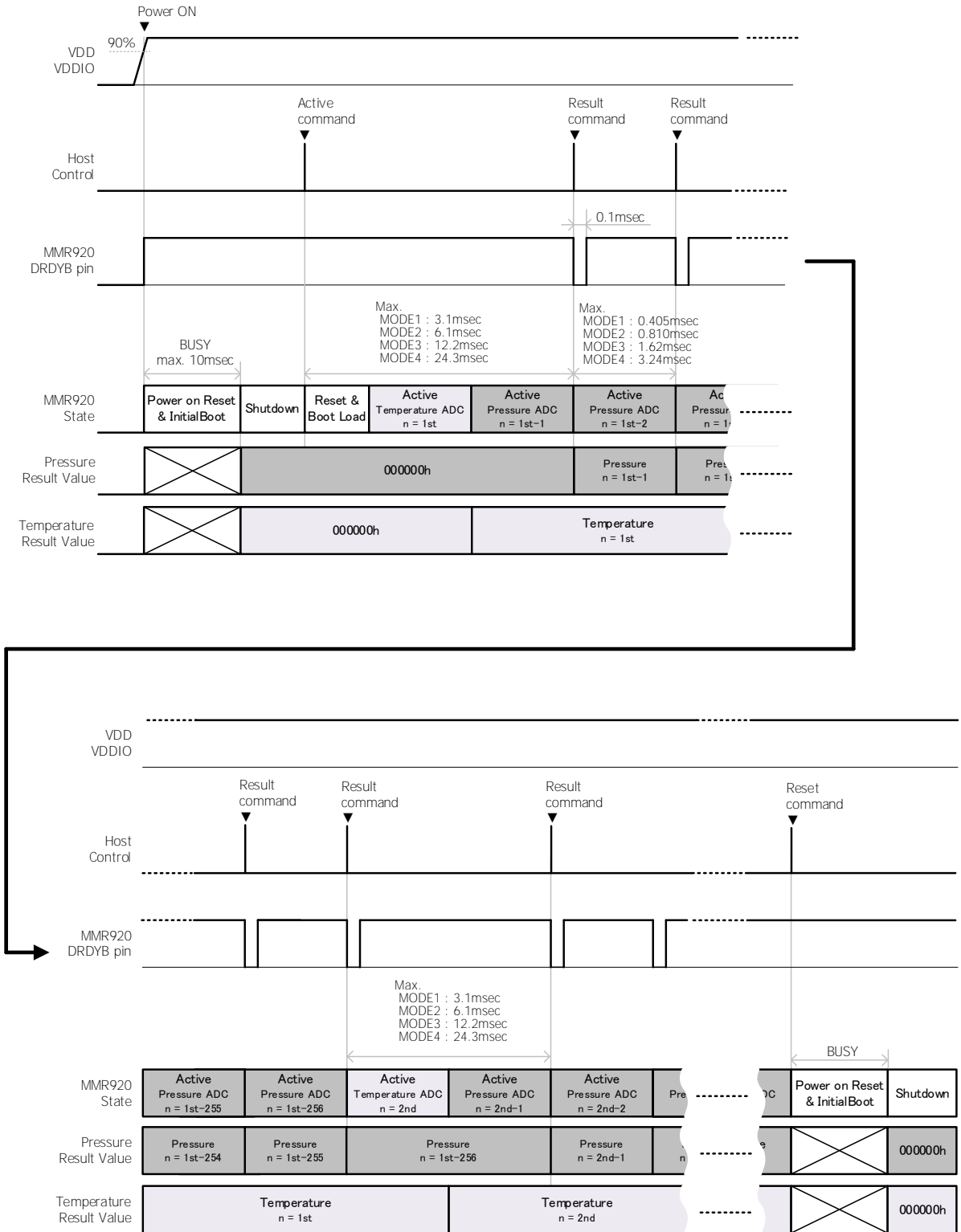


Fig. 8 Timing Chart

The contents of this document are subject to change without notice.

Low Pass Filter

Noise reduction is possible by a built-in Low Pass Filter. Pressure value with Low Pass Filter applied can be got using command code 0xC4. Cutoff frequency  $f_c$  can be changed by filter coefficient 4Bytes calculated by the equation (1). Filter coefficient is written to the IC using the MACRAM Write command in the idle state. Filter coefficient is cleared to the default value in the shutdown state.

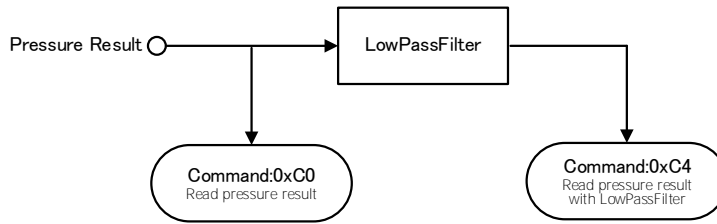


Fig. 9 Low Pass Filter Configuration

Table 6 example of character with Low Pass Filter

Cutoff frequency		No filter	$f_c=100\text{Hz}$	$f_c=10\text{Hz}$
Pressure effective resolution example [cmH2O RMS]	MODE1	0.019	0.012	0.0068
	MODE2	0.008	0.0064	0.0034
	MODE3	0.0044	0.0036	0.0022
	MODE4	0.0025	0.0023	0.0013

Filter coefficient equation

$$\text{Filter coefficient(4Bytes)} = 2^{27} \times \exp(-2\pi \times f_c \times t_{con}) \dots \dots \dots (\text{Eq1})$$

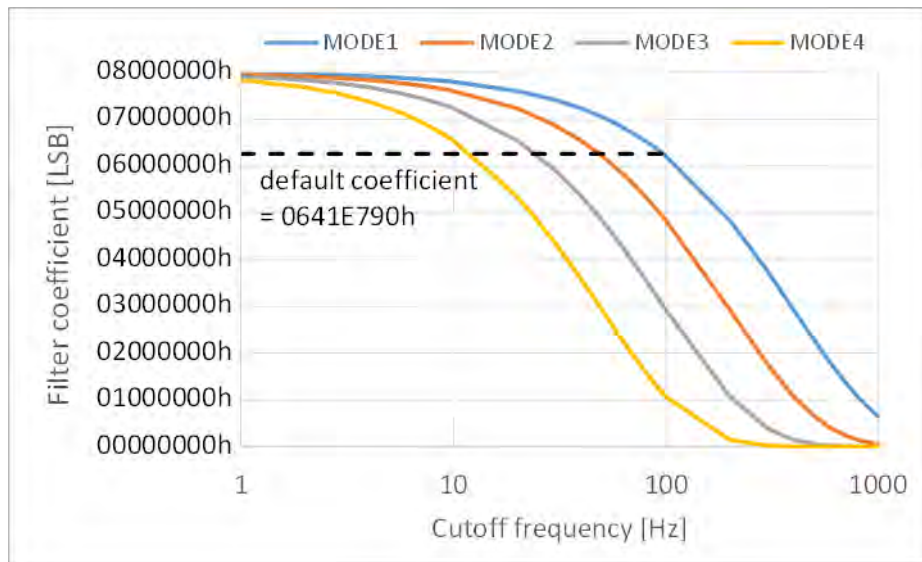


Fig. 10 Filter coefficient example

## SERIAL COMMUNICATION INTERFACE

It supports SPI and I2C as an interface for serial communication. SPI (max. 5Mbps) or I2C (max.3.4Mbps) can be selected by PSEL terminal. When PSEL terminal is set to High, SPI will be selected. When it is set to Low, I2C will be selected. Please set High voltage of PSEL terminal the same potential as VDDIO terminal.

Baud rate

※ This item is not inspected at the time of shipment.

(unless otherwise specified, Ta=25°C, VDD=3.0~3.6V)

Item	Symbol	Conditions	Min.	Typ.	Max.	Unit
I2C communication speed	BR <sub>I2C1</sub>	VDDIO ≥ 2.0V Cb ≤ 100pF	-	-	3.4	Mbps
	BR <sub>I2C2</sub>	VDDIO < 2.0V Cb ≤ 100pF	-	-	0.4	
	BR <sub>I2C3</sub>	VDDIO ≥ 2.0V Cb ≤ 400pF	-	-	1.7	
	BR <sub>I2C4</sub>	VDDIO < 2.0V Cb ≤ 400pF	-	-	0.4	
SPI communication speed	BR <sub>SPI1</sub>	VDDIO ≥ 2.0V Cb ≤ 100pF	-	-	5.0	
	BR <sub>SPI2</sub>	VDDIO < 2.0V Cb ≤ 100pF	-	-	1.0	
	BR <sub>SPI3</sub>	VDDIO ≥ 2.0V Cb ≤ 400pF	-	-	2.5	
	BR <sub>SPI4</sub>	VDDIO < 2.0V Cb ≤ 400pF	-	-	0.5	

SPI AC Characteristics

※ This item is not inspected at the time of shipment.

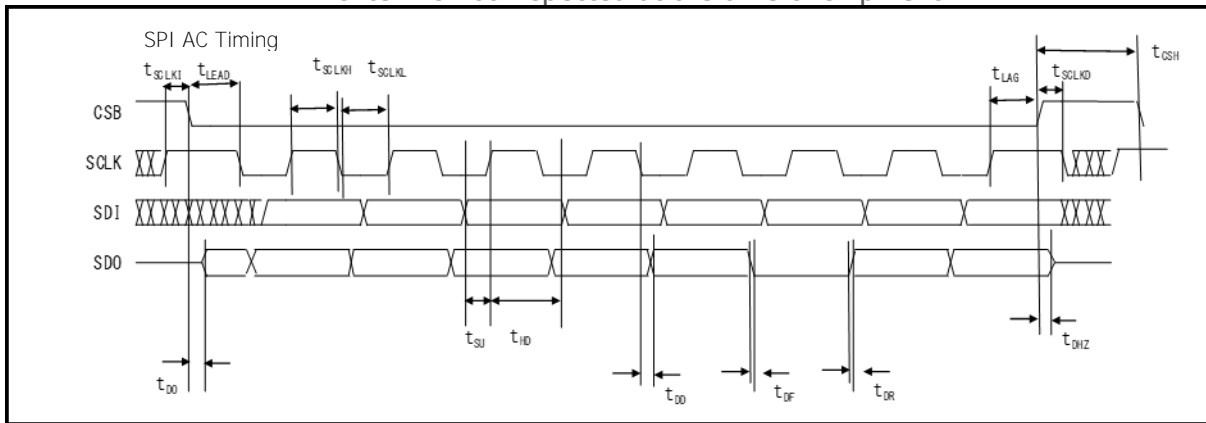


Fig. 11 SPI AC timing chart

Table 7 SPI AC Characteristics

Items	Symbol	VDDIO<2V		VDDIO≥2V		Unit
		min.	max.	min.	max.	
SCLK frequency (Duty 50±10%)	$f_{SCLK}$	-	1	-	5	MHz
SCLK High period (90%~90%)	$t_{SCLKH}$	400	-	80	-	ns
SCLK Low period (10%~10%)	$t_{SCLKL}$	400	-	80	-	ns
SCLK wait time	$t_{SCLKI}$	500	-	100	-	ns
SCLK Delay time	$t_{SCLKD}$	0	-	0	-	ns
CSB High period (90%~90%)	$t_{CSH}$	1000	-	200	-	ns
Time from CSB falling to SCLK falling	$t_{LEAD}$	0	-	0	-	ns
Time from SCLK rising to CSB rising	$t_{LAG}$	500	-	100	-	ns
SDI setup time	$t_{SU}$	100	-	10	-	ns
SDI hold time	$t_{HD}$	10	-	10	-	ns
SDO rise time (Load 100pF) (10%~90%)	$t_{DR}$	-	50	-	50	ns
SDO fall time (Load 100pF) (10%~90%)	$t_{DF}$	-	50	-	50	ns
SDO output delay time (Load 100pF)	$t_{DDY}$	-	120	-	60	ns
Time from CSB falling to SDO output (Load 100pF)	$t_{ACC}$	-	120	-	60	ns
Time from CSB rising to SDO output HiZ (Load 100pF)	$t_{DZ}$	-	170	-	170	ns



SPI format

The basic format of SPI is shown below. The relationship between clock (SCLK) and data (SDI/SDO) is Mode3. Data send/receive is started when CSB becomes low level from the status when SCLK is high level. Data is updated on falling edges of the SCLK, and sampled on rising edges of the SCLK. Data send/receive is ended when CSB becomes high level from the status when SCLK is high level.

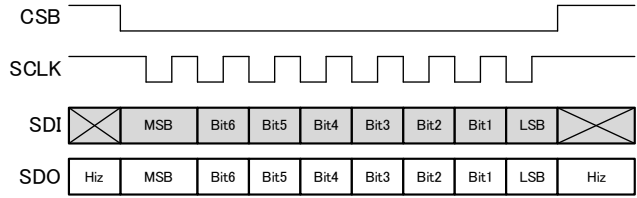


Fig. 12 SPI Waveform

SPI Write form

Please send command code of 8 bits. When their commands are received, it turns over ACK to 8 bits.



Fig. 13 SPI Write forma

SPI Write/Read format

Please send command code of 8 bits. When the command is received, it turns over ACK to 8 bits and it outputs the data MSB first.

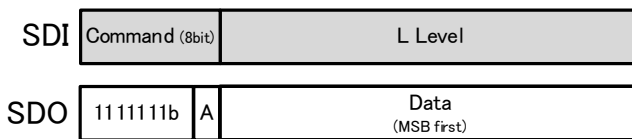


Fig. 14 SPI Write/Read format

SPI MACRAM Write format

Please send command code (0xE4) and memory address (0x6F). When command is received, it turns over ACK to 8 bits. Then please send Filter coefficient of 4Bytes MSB first. After receiving data, it becomes busy for the maximum 15msec in order to data- writing. During this time, 00h which indicates busy is output. When data- writing is completed, 01h is output.

How to discern busy:

After sending write data, continue to input clock with maintaining communicating mode. Then, 00h is output to indicate that it is busy. When the writing has been completed, 01h will be output. \*The "00h" to indicate busy may sometimes be output or not depending on the clock frequency.

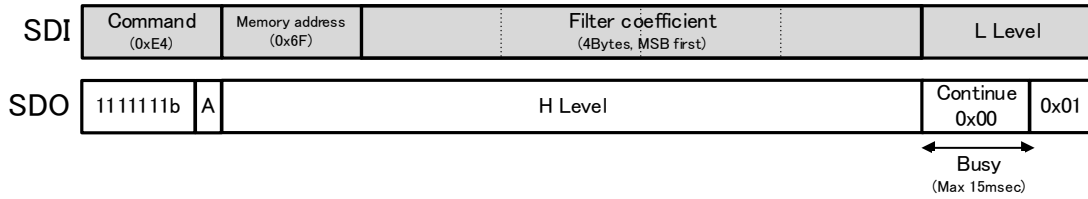


Fig. 15 SPI MACRAM Write forma

SPI ACK

When command code which is send in each SPI format is received, it outputs L level to 8 bits as ACK. If command code is not accepted or command code is not valid, it outputs H Level to 8 bits as NACK.

I2C AC Characteristics

※ This item is not inspected at the time of shipment

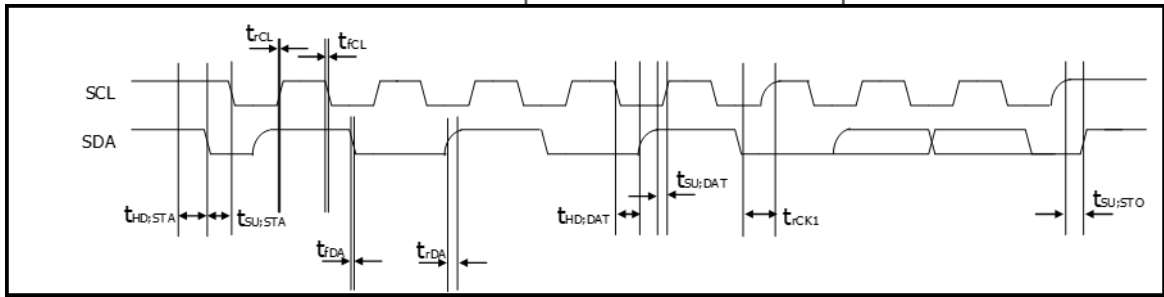


Fig. 16 I2C AC timing chart

Table 8 I2C AC Characteristics

Items	Symbol	VDDIO < 2.0V		VDDIO ≥ 2.0V				Unit
		Fast mode		Hsmode				
				Cb=100pF		Cb=400pF		
		min.	max.	min.	max.	min.	max.	
SCL frequency	$f_{SCL}$	0	400kHz	0	3.4	0	1.7	MHz
Start condition setup time	$t_{SU:STA}$	600	-	160	-	160	-	ns
Start condition hold time	$t_{HD:STA}$	600	-	160	-	160	-	ns
Stop condition setup time	$t_{SU:STO}$	600	-	160	-	160	-	ns
Data setup time	$t_{SU:DAT}$	100	-	20	-	20	-	ns
Data hold time (note <sup>13</sup> )	$t_{HD:DAT}$	20	-	20	70	20	150	ns
SCL rise time	$t_{rCL}$	-	300	10	40	20	80	ns
Rise time of SCL after ACK (When clock stretch is released.)	$t_{rCK1}$	-	300	10	80	20	160	ns
SCL fall time	$t_{fCL}$	10	300	10	-	20	80	ns
SDA rise time	$t_{rDA}$	-	300	10	80	20	160	ns
SDA fall time	$t_{fDA}$	10	300	10	80	20	160	ns

note<sup>13</sup>: This product does not have the function to retain data in SDA.  
Please ensure the hold of SDA with 20nsec for the area where SCL falling edge is not defined.

I2C format

It conforms to I2C protocol except some special formats. I2C address is the total of 8 bits. The first 7 bits are slave address and the rest of 1 bit is R/W bit. Slave address for MMR920 (7 bits) is 0x67. I2C address (8 bits) will be 0xCE (Write) and 0xCF (Read) by combining with R/W bit.

Table 9 I2C address

HEX.	I2C Address (8 bit)							R/W bit
	Slave address (7 bit)							
	A6	A5	A4	A3	A2	A1	A0	
0xCE	1	1	0	0	1	1	1	0
0xCF	1	1	0	0	1	1	1	1

I2C Write format

Please send I2C address of 8 bits (0xCE) by Write Mode. Then please send command code.

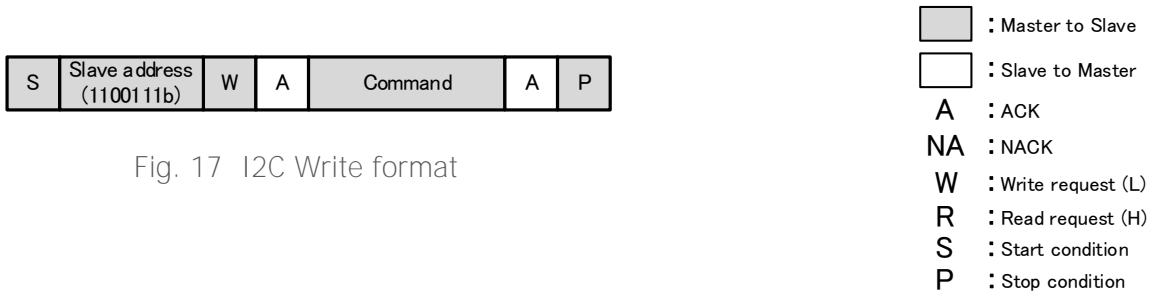


Fig. 17 I2C Write format

Combined format

Please send I2C address (0xCE) and the command code by Write Mode. Then please send I2C address (0xCF) by Read Mode. It outputs the data MSB first

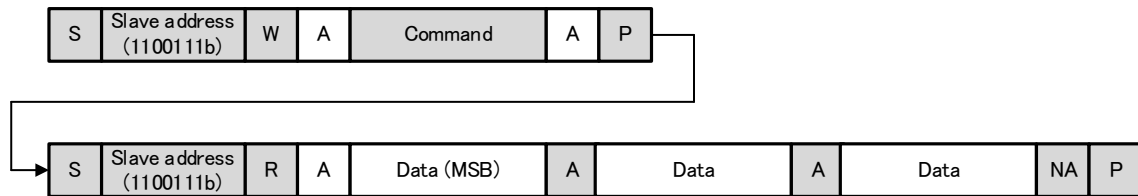


Fig. 18 I2C Combined format

I2C MAC Write format (special format)

It is a format unique to this product that does not partially conform to I2C protocol. Please send I2C address (0xCE), the command (0xE4), and memory address (0x6F) by Write Mode. Then send the data of 4Bytes Filter coefficient. At this time, please be careful that NACK is returned after transmitting LSB. After receiving data, it becomes busy for the maximum 15msec in order to data- writing. During this time, SCL is put in clock stretch. When data- writing is completed, SCL is released.

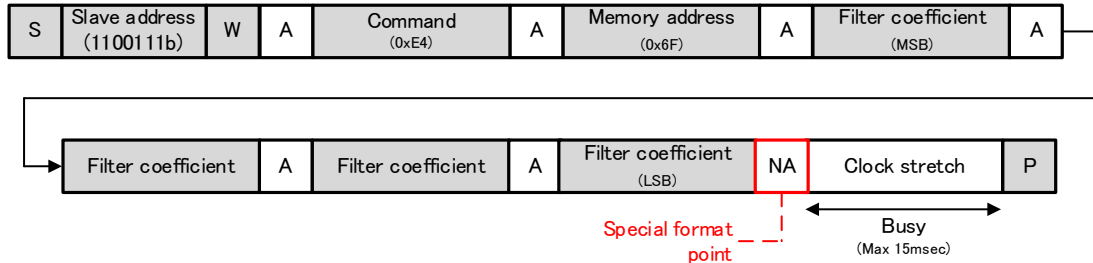


Fig. 19 I2C MACRAM Write format

TYPICAL APPLICATION CIRCUIT

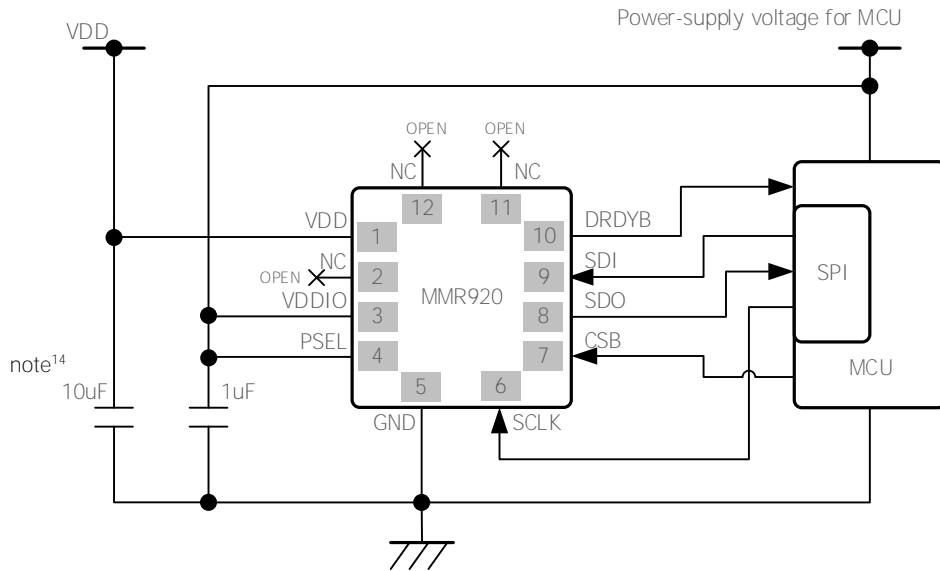


Fig. 20 Typical Electrical Connection (SPI)

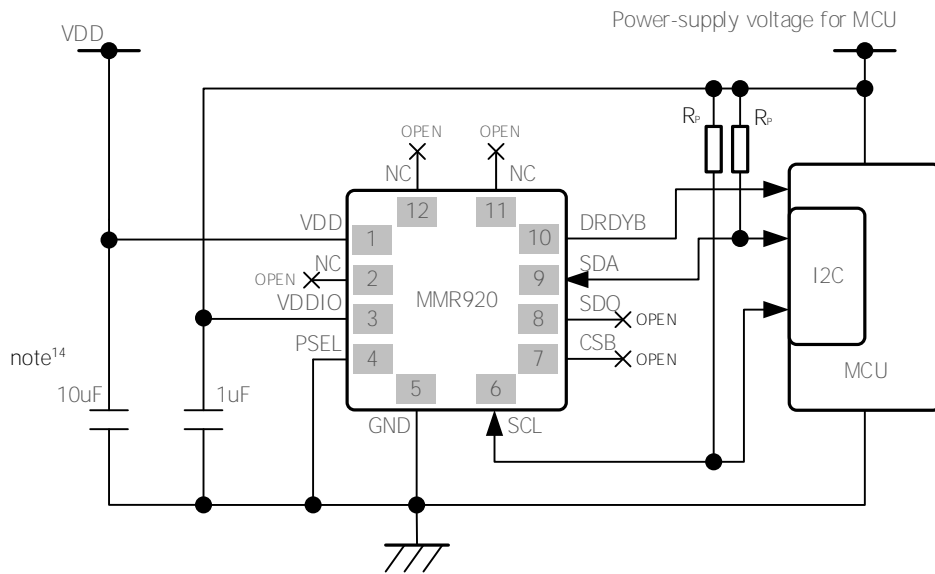


Fig. 21 Typical Electrical Connection (I2C)

note<sup>14</sup>: Place the bypass capacitor for the power supply as close to the IC as possible.

TYPICAL PERFORMANCE CHARACTERISTICS

Analog characteristics

(unless otherwise specified,  $T_a=25^\circ\text{C}$ ,  $V_{DD}=V_{DDIO}=3.3\text{V}$ )

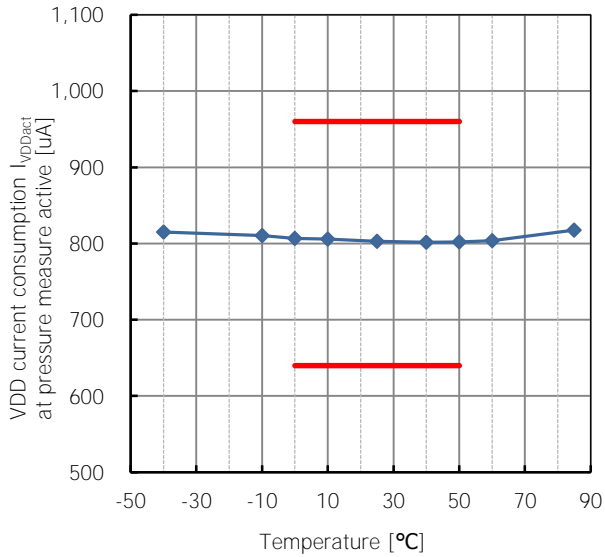


Fig. 22.1 VDD current consumption  $I_{VDDact}$  at pressure measure active temperature characteristic

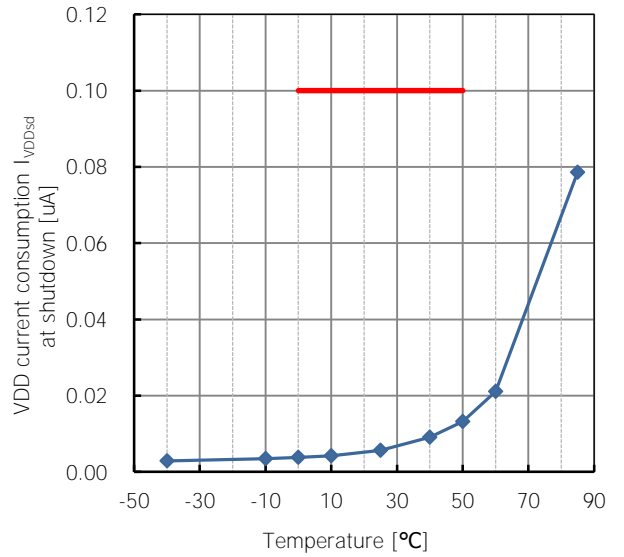


Fig. 22.2 VDD current consumption  $I_{VDDact}$  at pressure measure active supply voltage characteristic

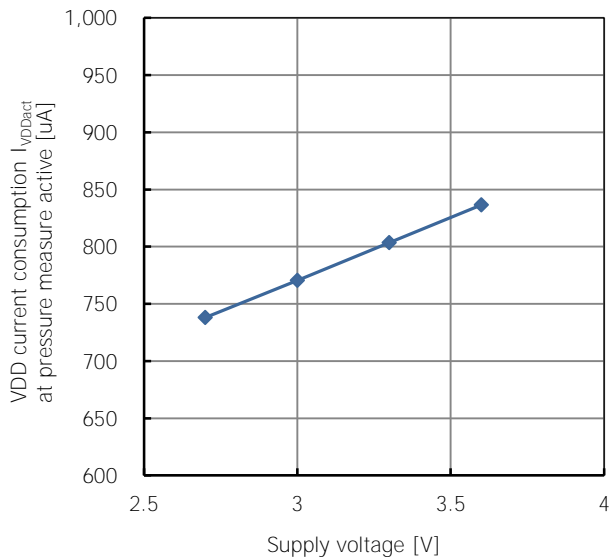


Fig. 22.3 VDD current consumption  $I_{VDDsd}$  at shutdown temperature characteristic

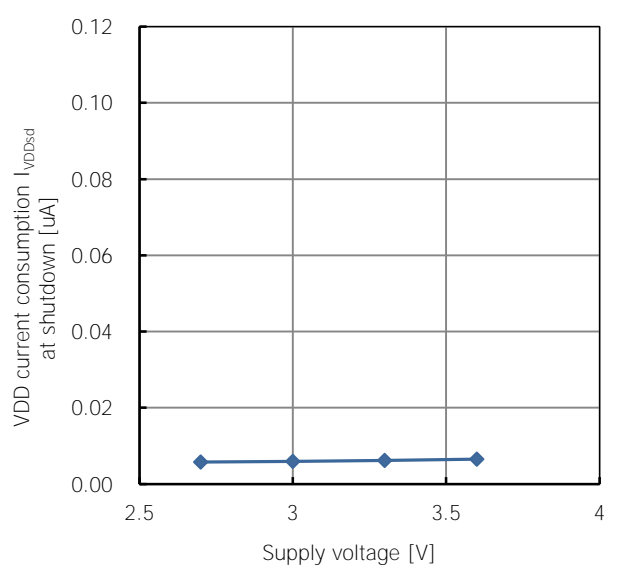


Fig. 22.4 VDD current consumption  $I_{VDDsd}$  at shutdown supply voltage characteristic

(unless otherwise specified,  $T_a=25^{\circ}\text{C}$ ,  $V_{DD}=V_{DDIO}=3.3\text{V}$ )

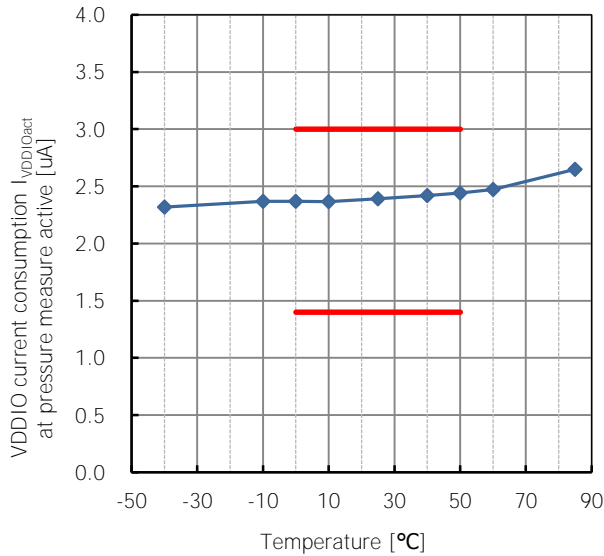


Fig. 22.5 VDDIO current consumption  $I_{VDDIOact}$  at pressure measure active temperature characteristic

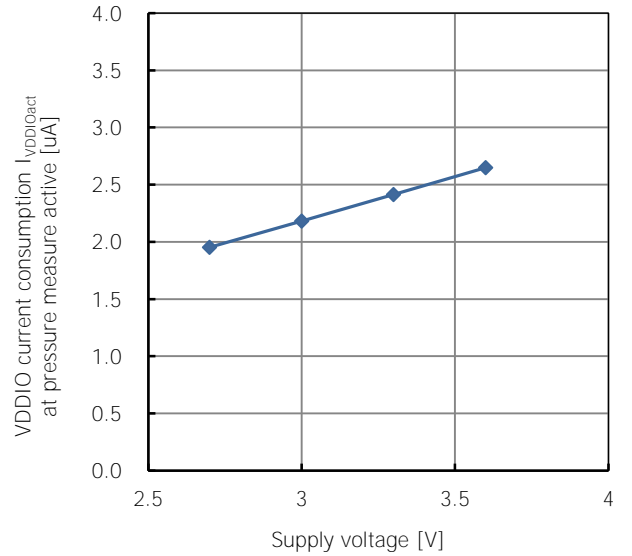


Fig. 22.6 VDDIO current consumption  $I_{VDDIOact}$  at pressure measure active supply voltage characteristic

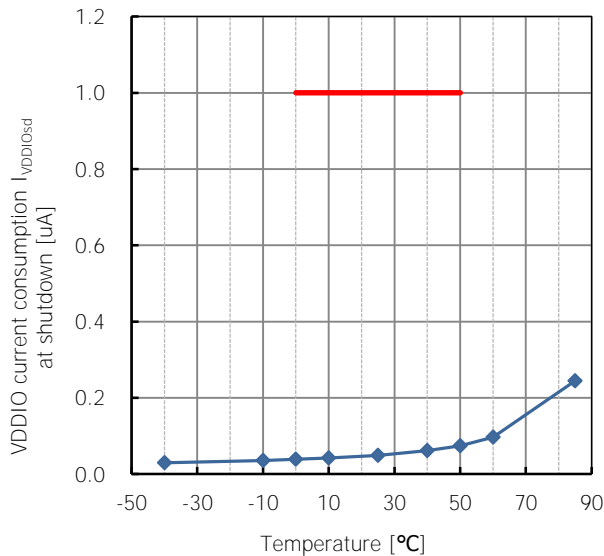


Fig. 22.7 VDD current consumption  $I_{VDDsd}$  at shutdown temperature characteristic

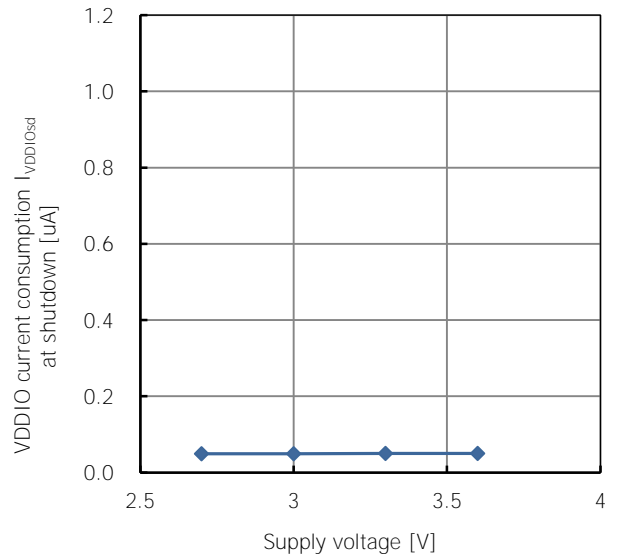


Fig. 22.8 VDDIO current consumption  $I_{VDDIOsd}$  at shutdown supply voltage characteristic



(unless otherwise specified,  $T_a=25^\circ\text{C}$ ,  $V_{DD}=V_{DDIO}=3.3\text{V}$ )

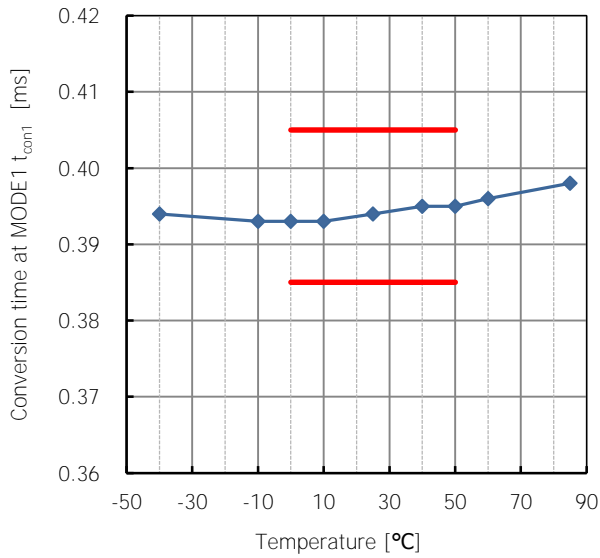


Fig. 22.9 Conversion time at MODE 1 temperature characteristic

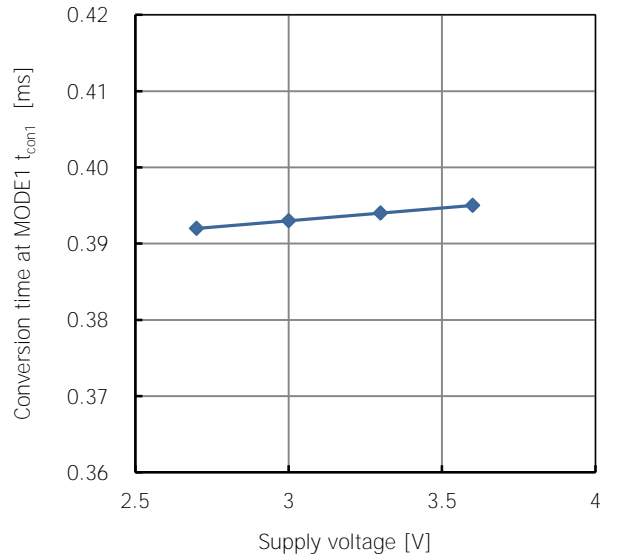


Fig. 22.10 Conversion time at MODE 1 supply voltage characteristic

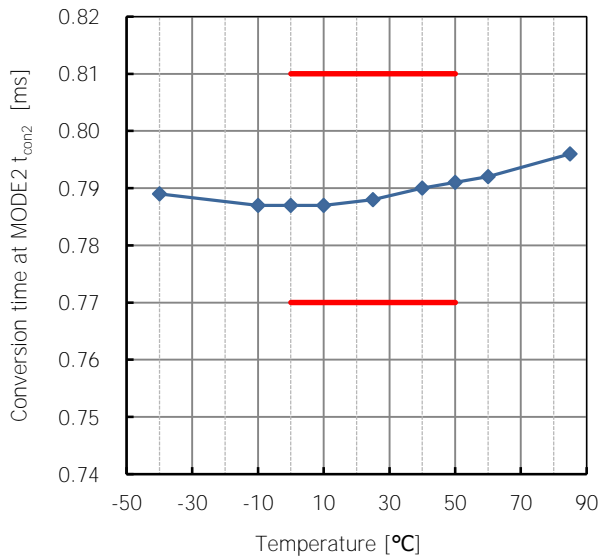


Fig. 22.11 Conversion time at MODE 2 temperature characteristic

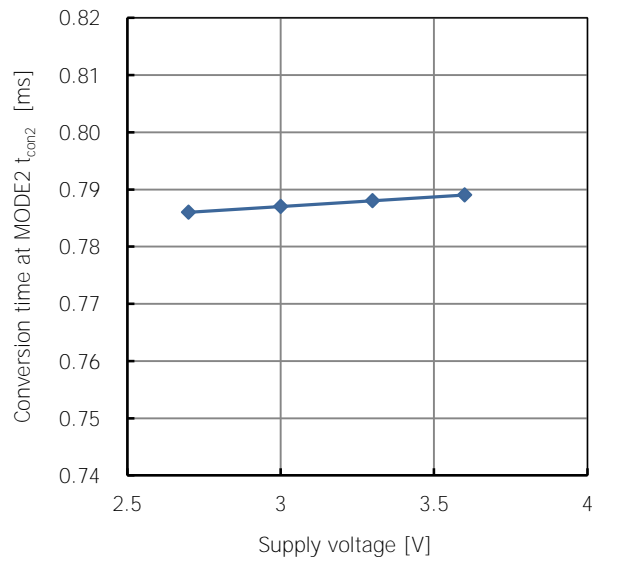


Fig. 22.12 Conversion time at MODE 2 supply voltage characteristic

(unless otherwise specified,  $T_a=25^\circ\text{C}$ ,  $V_{DD}=V_{DDIO}=3.3\text{V}$ )

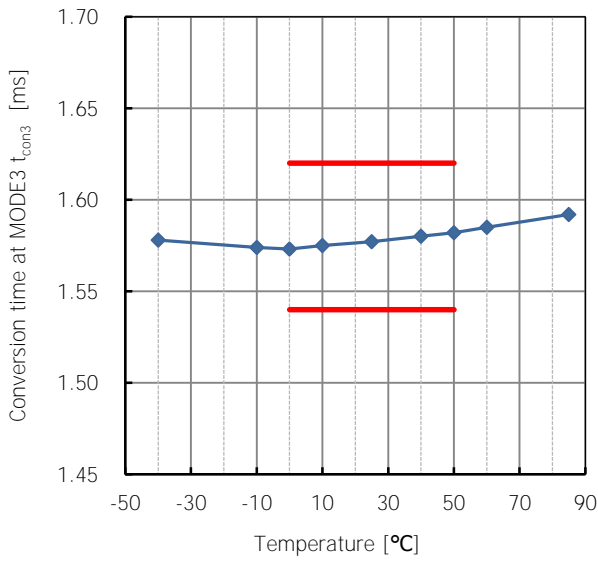


Fig. 22.13 Conversion time at MODE 3 temperature characteristic

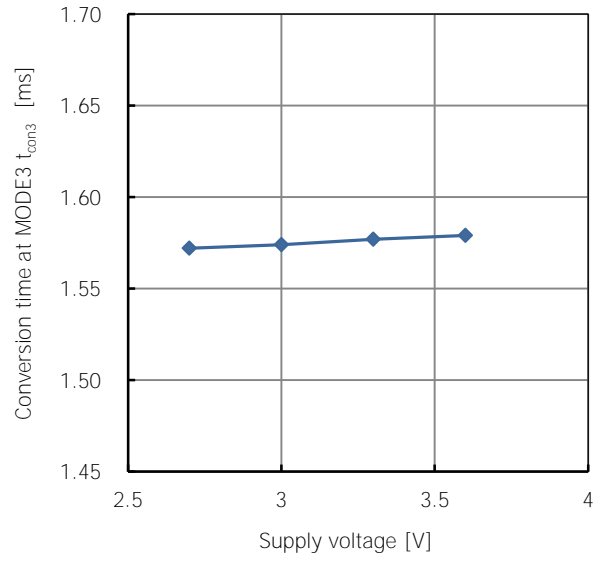


Fig. 22.14 Conversion time at MODE 3 supply voltage characteristic

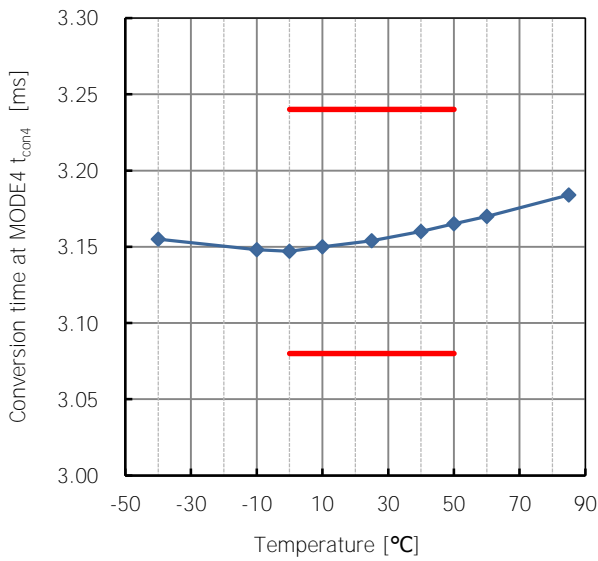


Fig. 22.15 Conversion time at MODE 4 temperature characteristic

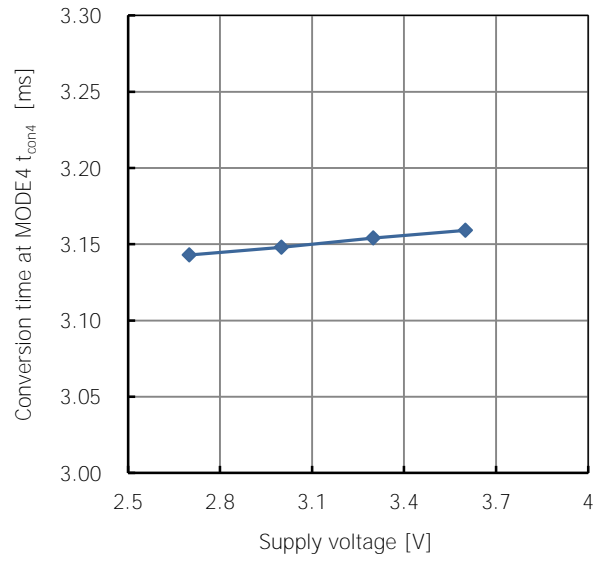


Fig. 22.16 Conversion time at MODE 4 supply voltage characteristic

C02 rank Pressure sensor characteristics  
 (unless otherwise specified,  $T_a=25^{\circ}\text{C}$ ,  $V_{DD}=V_{DDIO}=3.3\text{V}$ )  
**TBD**

C04 rank Pressure sensor characteristics  
 (unless otherwise specified,  $T_a=25^{\circ}\text{C}$ ,  $V_{DD}=V_{DDIO}=3.3\text{V}$ )

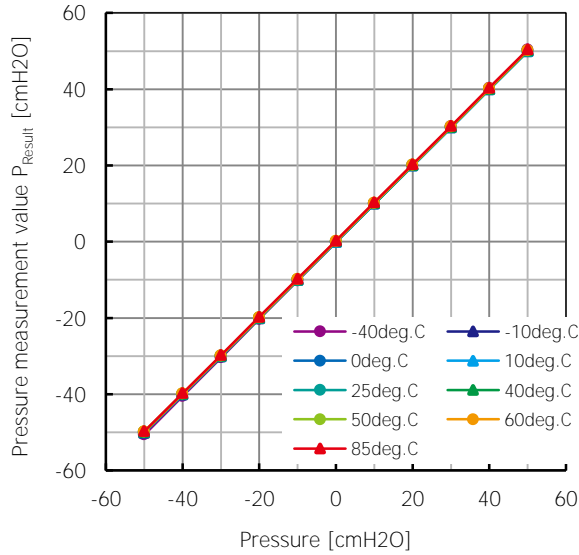


Fig. 23.1 Pressure measurement value  $P_{\text{Result}}$  temperature characteristic

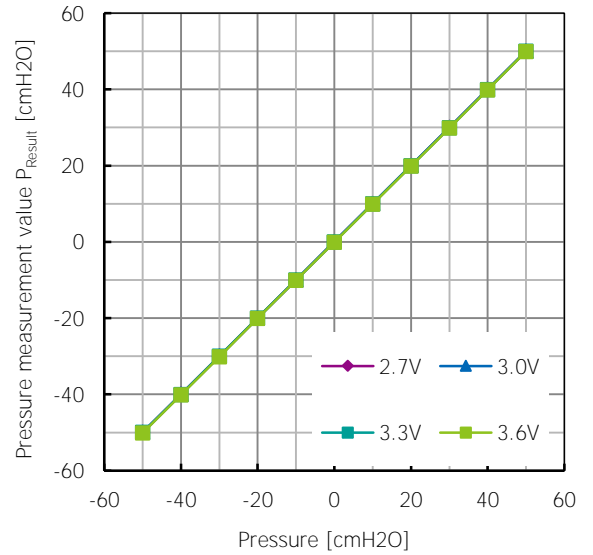


Fig. 23.2 Pressure measurement value  $P_{\text{Result}}$  supply voltage characteristic

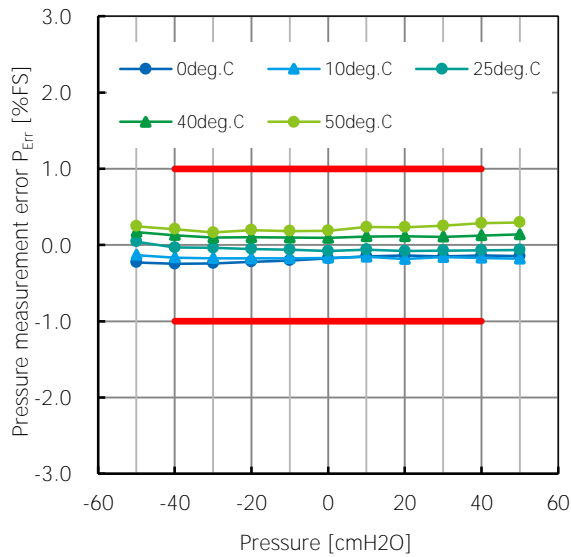


Fig. 23.3 Pressure measurement error  $P_{\text{Err}}$  temperature characteristic 0~50deg.C

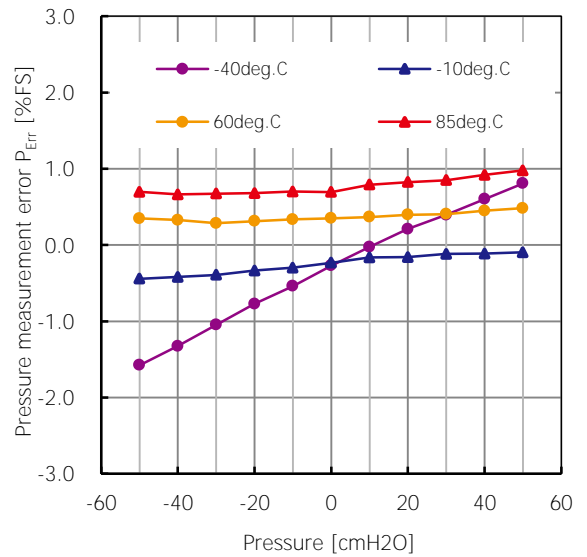


Fig. 23.4 Pressure measurement error  $P_{\text{Err}}$  temperature characteristic -40~85deg.C

(unless otherwise specified,  $T_a=25^{\circ}\text{C}$ ,  $V_{DD}=V_{DDIO}=3.3\text{V}$ )

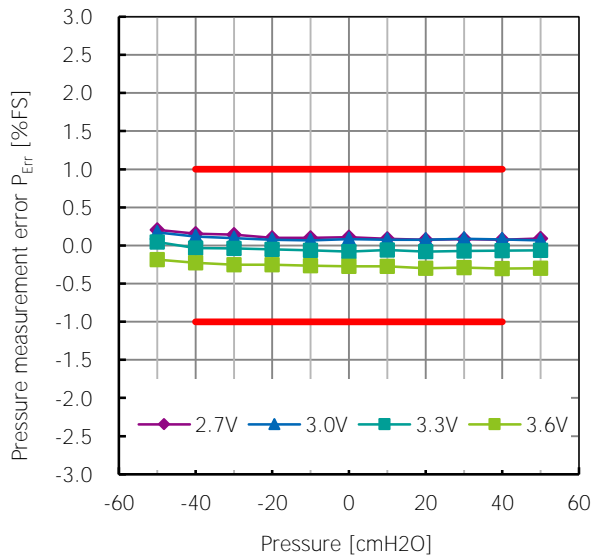


Fig. 23.5 Pressure measurement error  $P_{Err}$  supply voltage characteristic

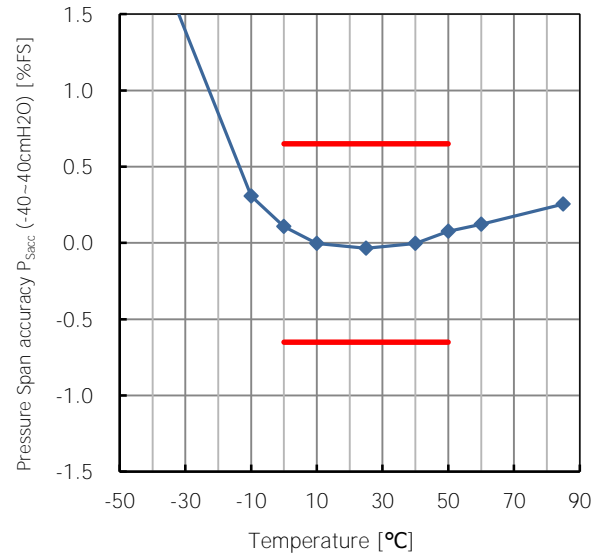


Fig. 23.6 Pressure Span accuracy  $P_{Sacc}$  temperature characteristic

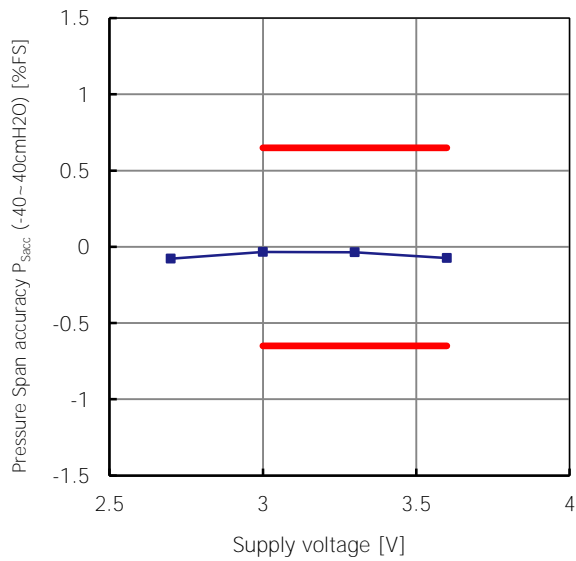


Fig. 23.7 Pressure Span accuracy  $P_{Sacc}$  supply voltage characteristic

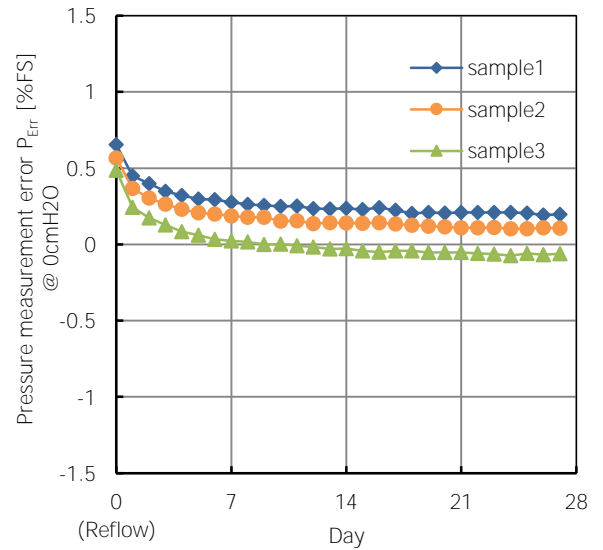


Fig. 23.8 Pressure measurement error  $P_{Err}$  @0cmH2O Reflow drift

C07 rank Pressure sensor characteristics  
(unless otherwise specified,  $T_a=25^{\circ}\text{C}$ ,  $V_{DD}=V_{DDIO}=3.3\text{V}$ )

TBD

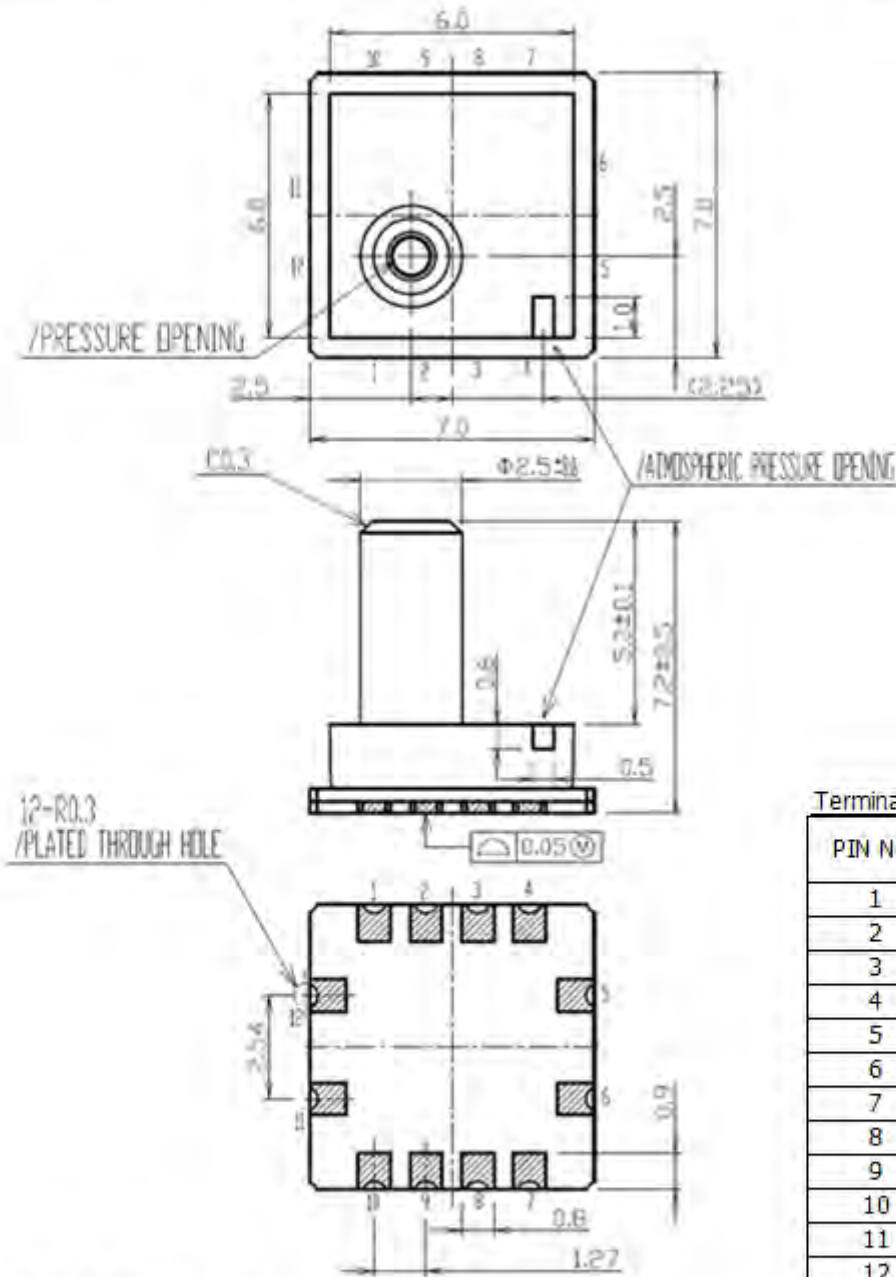
C10 rank Pressure sensor characteristics  
(unless otherwise specified,  $T_a=25^{\circ}\text{C}$ ,  $V_{DD}=V_{DDIO}=3.3\text{V}$ )

TBD

DIMENSIONS

PACKAGE : MEMS-12B

UNIT mm



Terminal list

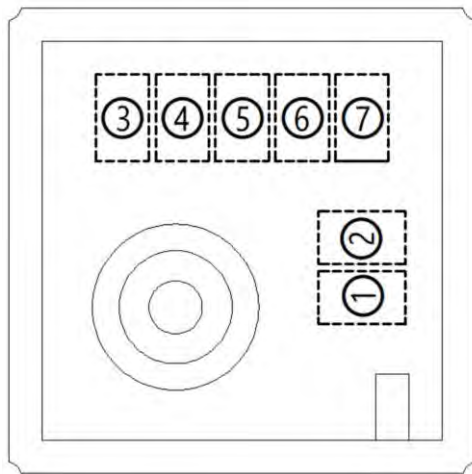
PIN No.	Name
1	VDD
2	NC
3	VDDIO
4	PSEL
5	GND
6	SCLK/SLC
7	CSB
8	SDO
9	SDI/SDA
10	DRDYB
11	NC
12	NC

Print circuit board specifications

Grade	BT Resin
UL	94V-0
Thickness	0.6±0.1
Structure	2Layers PCB with through holes
Parts assemble	One side
resist	Both side

No. A01-MEMS12B-0002

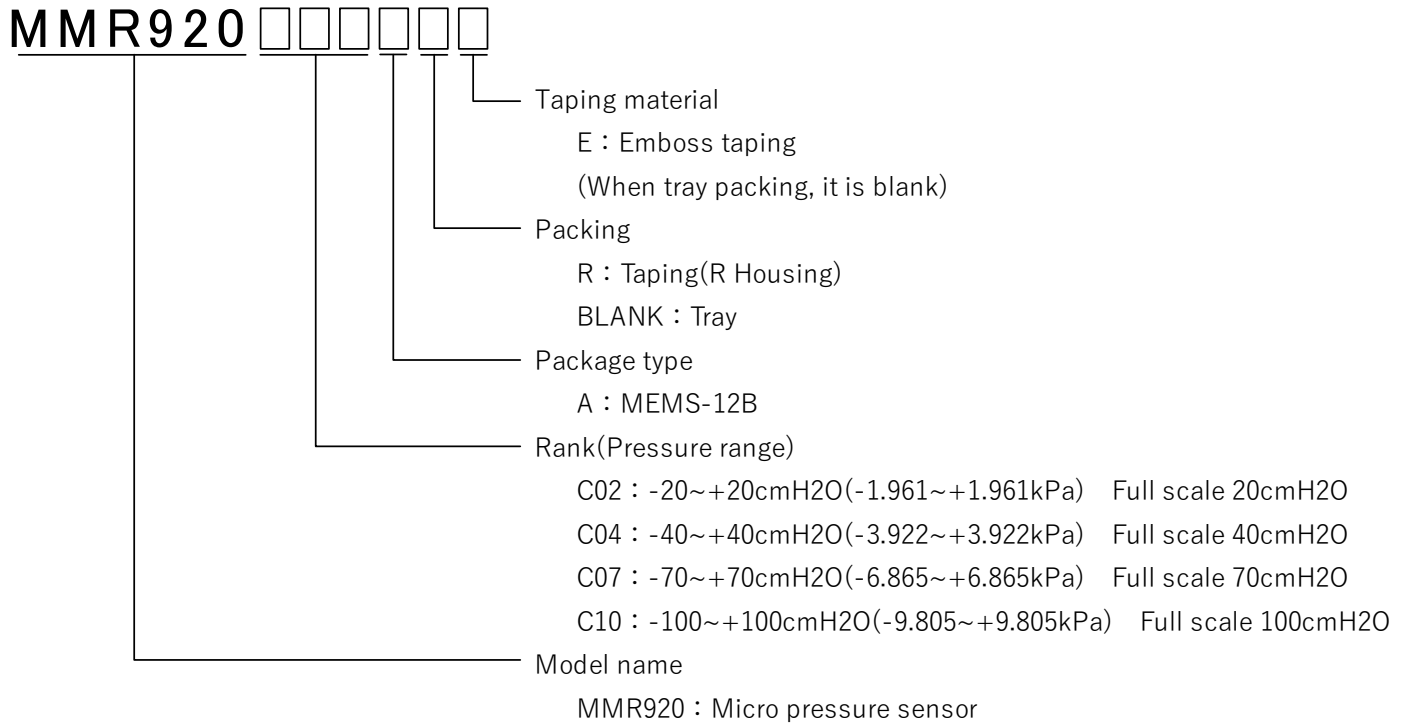
MARKING CONTENTS



①	Model name		marking	
	MMR920		L	
②~④	Rank		marking	
	C02		C02	
	C04		C04	
	C07		C07	
⑤	Production year			
	Production month			
⑥	month	marking	month	marking
	JAN	1	JUL	7
	FEB	2	AUG	8
	MAR	3	SEP	9
	APR	4	OCT	J
	MAY	5	NOV	K
	JUN	6	DEC	L
	⑦	Production day		
day		marking	day	marking
1		1	16	G
2		2	17	H
3		3	18	J
4		4	19	K
5		5	20	L
6		6	21	M
7		7	22	N
8		8	23	P
9		9	24	R
10		A	25	S
11		B	26	T
12		C	27	U
13		D	28	V
14		E	29	W
15		F	30	X
		31	Y	

The contents of this document are subject to change without notice.

PRODUCT NAME



PRODUCT LINEUP

Product Name	Rank	Pressure Range	Packing	Status
MMR920C02A	C02	-20~20cmH2O(-1.961~1.961kPa)	Tray	Planning
MMR920C02ARE	C02	-20~20cmH2O(-1.961~1.961kPa)	Taping(R)	Planning
MMR920C04A	C04	-40~40cmH2O(-3.922~3.922kPa)	Tray	Developing
MMR920C04ARE	C04	-40~40cmH2O(-3.922~3.922kPa)	Taping(R)	Developing
MMR920C07A	C07	-70~70cmH2O(-6.865~6.865kPa)	Tray	Planning
MMR920C07ARE	C07	-70~70cmH2O(-6.865~6.865kPa)	Taping(R)	Planning
MMR920C10A	C10	-100~100cmH2O(-9.807~9.807kPa)	Tray	Planning
MMR920C10ARE	C10	-100~100cmH2O(-9.807~9.807kPa)	Taping(R)	Planning



## PRESSURE SENSOR LINEUP

Function	Product Name	Size [mm] (L x W x H)	Pressure Range [Pa]	Full Scale [Pa]	Pressure Measurement error [%FS]	Span Accuracy [%FS]	Effective Resolution [PaRMS]	Packing	Halogen	Status
Gage Pressure Sensor	MMR920C02A	7 x 7 x 7.2	-1,961 ~ 1,961	1,961	2.0	1.30	0.2	Tray	Contain	Planning
	MMR920C02ARE	7 x 7 x 7.2	-1,961 ~ 1,961	1,961	2.0	1.30	0.2	Taping (R)	Contain	Planning
	MMR920C04A	7 x 7 x 7.2	-3,922 ~ 3,922	3,922	1.0	0.65	0.2	Tray	Contain	Developing
	MMR920C04ARE	7 x 7 x 7.2	-3,922 ~ 3,922	3,922	1.0	0.65	0.2	Taping (R)	Contain	Developing
	MMR920C07A	7 x 7 x 7.2	-6,865 ~ 6,865	6,865	1.0	0.65	0.2	Tray	Contain	Planning
	MMR920C07ARE	7 x 7 x 7.2	-6,865 ~ 6,865	6,865	1.0	0.65	0.2	Taping (R)	Contain	Planning
	MMR920C10A	7 x 7 x 7.2	-9,807 ~ 9,807	9,807	1.0	0.65	0.2	Tray	Contain	Planning
	MMR920C10ARE	7 x 7 x 7.2	-9,807 ~ 9,807	9,807	1.0	0.65	0.2	Taping (R)	Contain	Planning
	MMR906XAN	6 x 5 x 7.2	-1,000 ~ 40,000	40,000	-	0.66	1.0	Tray	Free	MP
	MMR906XARE	6 x 5 x 7.2	-1,000 ~ 40,000	40,000	-	0.66	1.0	Taping (R)	Free	Developing
	MMR902A34A	7 x 7 x 7.2	-1,000 ~ 40,000	40,000	2.3	0.66	0.7	Tray	Free	MP
	MMR902A34ABE	7 x 7 x 7.2	-1,000 ~ 40,000	40,000	2.3	0.66	0.7	Taping (B)	Free	Developing
	MMR902A34ARE	7 x 7 x 7.2	-1,000 ~ 40,000	40,000	2.3	0.66	0.7	Taping (R)	Free	Developing
Differential Pressure Sensor	MMR940C02A	29 x 18 x 14.25	-1,961 ~ 1,961	1,961	(2.0)	1.30	0.2	Tray	Contain	Planning
	MMR940C04A	29 x 18 x 14.25	-3,922 ~ 3,922	3,922	(1.0)	0.65	0.2	Tray	Contain	Developing
	MMR940C07A	29 x 18 x 14.25	-6,865 ~ 6,865	6,865	(1.0)	0.65	0.2	Tray	Contain	Planning
	MMR940C10A	29 x 18 x 14.25	-9,807 ~ 9,807	9,807	(1.0)	0.65	0.2	Tray	Contain	Planning

The contents of this document are subject to change without notice.

## NOTES

## Safety Precautions

- Though Mitsumi Electric Co., Ltd. (hereinafter referred to as "Mitsumi") works continually to improve our product's quality and reliability, semiconductor products may generally malfunction or fail. Customers are responsible for complying with safety standards and for providing adequate designs and safeguards for their hardware, software and systems which minimize risk and avoid situations in which a malfunction or failure of this product could cause loss of human life, bodily injury, or damage to property, including data loss or corruption. Before customers use this product, create designs including this product, or incorporate this product into their own applications, customers must also refer to and comply with (a) the latest versions or all of our relevant information, including without limitation, product **specifications, data sheets and application notes for this product and (b) the user's manual**, handling instructions or all relevant information for any products which is to be used, or combined with this products. Customers are solely responsible for all aspects of their own product design or applications, including but not limited to (a) determining the appropriateness of the use of this product in such design or applications; (b) evaluating and determining the applicability of any information contained in this document, or in charts, diagrams, programs, algorithms, sample application circuits, or any other referenced documents; and (c) validating all operating parameters for such designs and **applications. Mitsumi assumes no liability for customers' product design or applications.**
- This product is intended for applying to computers, OA units, communication units, instrumentation units, machine tools, industrial robots, AV units, household electrical appliances, and other general electronic units.
- If you have any intentions to apply this product to the units related to the control and safety of transportation units (vehicles, trains, etc.), traffic signaling units, disaster-preventive & burglar-proof units, or the like, contact our sales representatives in advance.
- Don't apply this product to any aeronautical & space systems, submarine repeaters, nuclear power controllers, medical units involving the human life, or the like.
- Before using this product, even when it is not used for the usage written above, notify and present us beforehand if special care and attention are needed for its application, intended purpose, environment of usage, risk, and the design or inspection specification corresponding to them.
- If any damage to our customer is objectively identified to be caused by the defect of this product, Mitsumi is responsible for it. In this case, Mitsumi is liable for the cost limited to the delivery price of this product.

## Application considerations during actual circuit design

- The outline of parameters described herein has been chosen as an explanation of the standard parameters and performance of the product. When you actually plan to use the product, please ensure that the outside conditions are reflected in the actual circuit and assembling designs.
- Before using this product, please evaluate and confirm the actual application with this product mounted and embedded.
- To investigate the influence by applied transient load or external noise, It is necessary to evaluate and confirm them with mounting this product to the actual application.
- Any usage above the maximum rating may destroy this product or shorten the lifetime. Be sure to use this product under the maximum rating.
- If you continue to use this product highly-loaded (applying high temperature, large current or high voltage; or variation of temperature) even under the absolute maximum rating and even in the operating range, the reliability of this product may decrease significantly. Please design appropriate reliability in consideration of power dissipation and voltage corresponding to the temperature and designed lifetime after confirming our individual reliability documents (such as reliability test report or estimated failure rate). It is recommended that, before using this product, you appropriately derate the maximum power dissipation (typically, 80% or less of the maximum value) considering parameters including ambient temperature, input voltage, and output current.

## Precautions for Foreign Exchange and Foreign Trade Control Act

- If you export or take products and technologies in this document which are subject to security trade control based on the Foreign Exchange and Foreign Trade Act to overseas from Japan, permission of the Japanese government is required.

## Prohibitions for Industrial Property Rights

- Since this document contains the contents related to our copyright and know-how, you are requested not to use this document for any purpose other than the application of this product.
- If a use of this product causes a dispute related to the industrial property rights of a third party, Mitsumi has no liability for any disputes except those which arise directly from the manufacturing and manufacturing method of our products.

## Precautions for Product Liability Act

- No responsibility is assumed by us for any consequence resulting from any wrong or improper use or operation, etc. of this product.

## Others

- Any part of the contents contained herein must not be reprinted or reproduced without our prior permission.
- In case of any question arises out of the description in this specification, it shall be settled by the consultation between both parties promptly.

## ATTENTION

- This product is designed and manufactured with the intention of normal use in general electronics. No special circumstance as described below is considered for the use of it when it is designed. With this reason, any use and storage under the circumstances below may affect the performance of this product. Prior confirmation of performance and reliability is requested to customers.
  - Environment with strong static electricity or electromagnetic wave
  - Environment with high temperature or high humidity where dew condensation may occur
- This product is not designed to withstand radioactivity, and must avoid using in a radioactive environment.

## ADDDITIONAL NOTES

- The pressure medium which can use directly is only air. Please do not use other media, especially corrosive gases (organic solvent gas, sulfurous acid gas, hydrogen sulfide gas, etc.) and media which include moisture and foreign substance, since they could cause damages or malfunctions.
- Please handle it noting the foreign body mixing with the pressure opening and atmospheric pressure opening after opening packing.
- When cut folding the PCB after mounting this product, take measures to prevent stress to the package. Also, when you insert the tube in this product, please note that plugging it vertically. Load in the lateral direction of the cover of the nozzle is up to 1kg or less. (Load condition: position of height 4mm from the marking surface.) Excessive load could cause damages of cover, or air leak by peeling from the interface of the cover and the substrate, or malfunctions.
- The light that enters from the pressure entrance reaches the semiconductor chip. Please avoid use in the environment that light enters into the pressure entrance directly, because the semiconductor chip might malfunction because of light.

PACKING SPECIFICATIONS (TRAY)

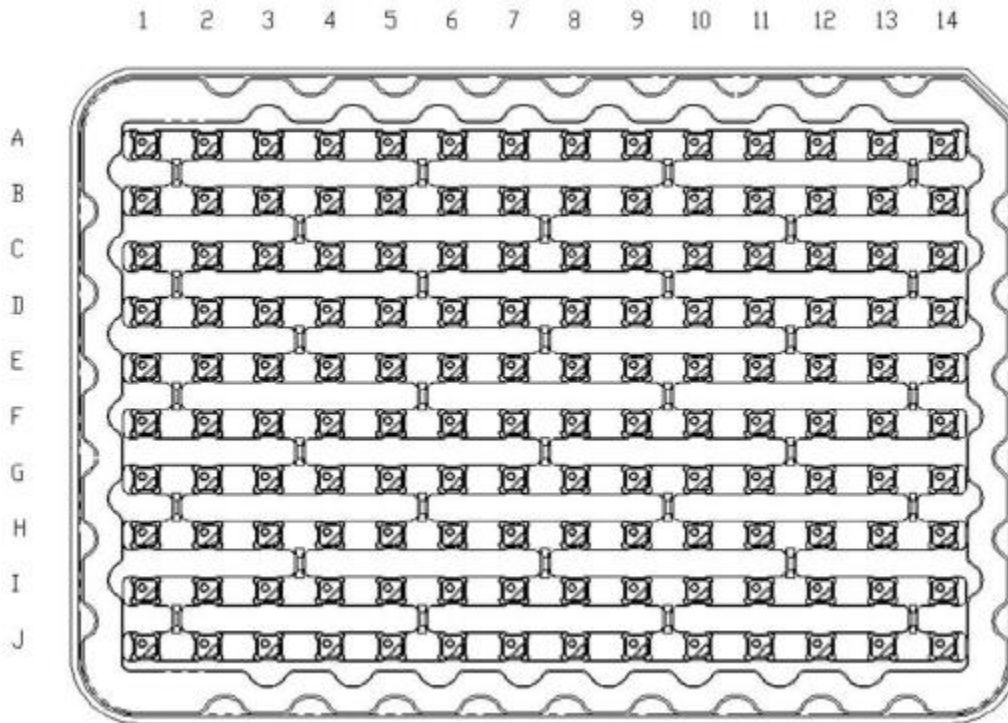
QUANTITY

- VACUUM PACKING 700 pcs / SHIELD BAG
- BOX PACKING MAX 5,600 pcs / BOX (8BAGS)

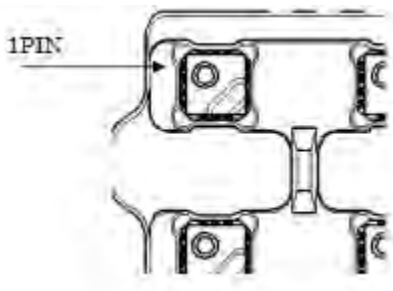
THE QUANTITY IS FILLED IN THE PACKING SLIP

PACKING SPECIFICATIONS

- TRAY STORAGE SPECIFICATION



1. PRODUCTION STORAGE DIRECTION



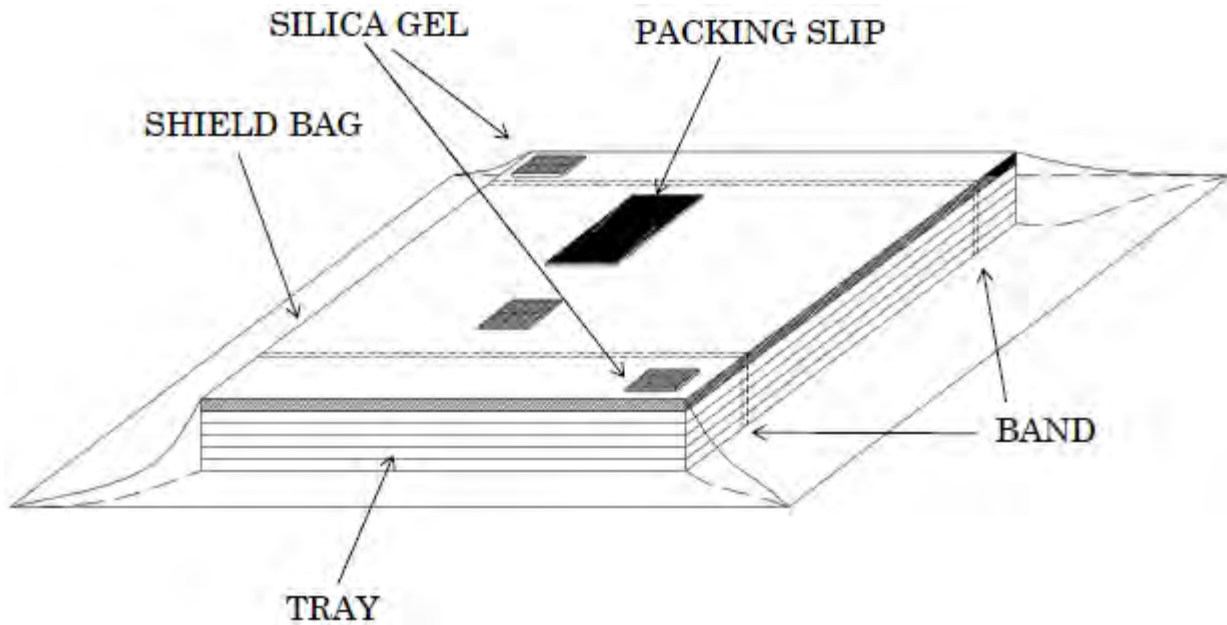
2. BROKEN NUMBER PRODUCTION STORAGE

REGARDING BROKEN NUMBER PRODUCTION STORAGE ,  
IT IS HOUSED IN FOLLOWING-ORDER.  
(A1、B1、....、I1、J1)、(A2、B2、....、I2、J2)、....、(A14、B14、....、I14、J14) .

3. TRAY MATERIAL, DISPOSED ELECTRICATION PREVENTION.



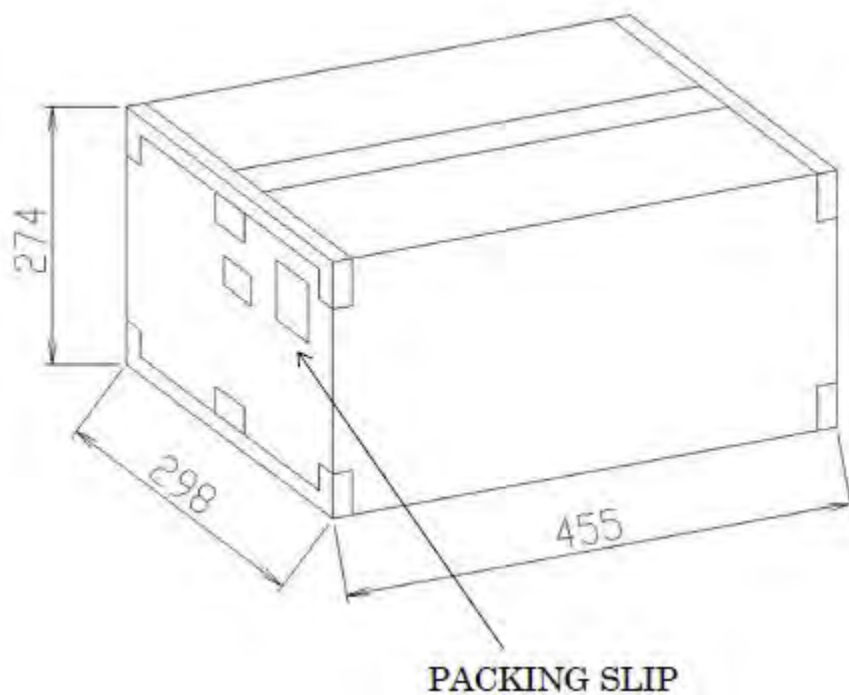
## • PACKING SPECIFICATION



THESE 6 TRAYS WHICH ARE 5 TRAYS WITH PRODUCTS AND EMPTY TRAY AS LID ARE PILED UP. ALSO, THESE TRAYS ARE FIXED BY BAND. THESE ARE VACUUM-HEAT-SEALED TOGETHER WITH THE SILICA GEL.  
※THIS TRAY HAS TYPE A AND TYPE B. THEY ARE PILED UP ALTERNATELY.  
(IT IS POSSIBLE TO USE BOTH TYPE TRAYS AS EMPTY ONE.)

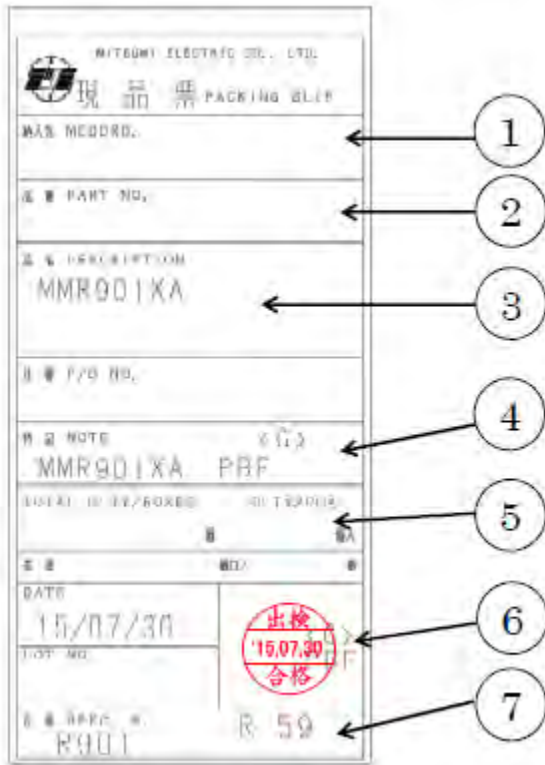
## • BOX DIMENSION

UNIT : mm



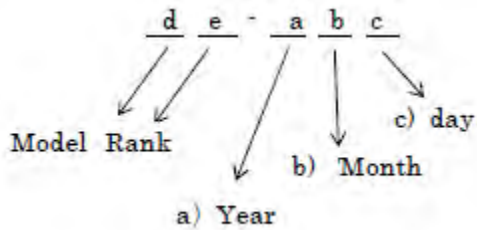
PUT MAX 8 BAGS IN THE CARTON BOX.  
AFTER PACKING BY TAPE (5,600 PCS MAX)  
PUT THE PACKING SLIP ON THE SIDE OF THE CARTON BOX.

PACKING SLIP SPECIFICATION



- ① CUSTOMER NAME
- ② CUSTOMER'S MODEL NAME
- ③ MITSUMI MODEL NAME
- ④ "G mark" meaning is RoHS-compliant.
- ⑤ PACKING Q'TY (PACK/CARTON)
- ⑥ QC STAMP(SHIPMENT DATE)
  - ※This is pass-stamp about shipment inspection.
- ⑦ MITSUMI DRAWING NUMBER

MARK LOT NUMBER



a)	Production year			
	Production month			
	month	marking	month	marking
	JAN	1	JUL	7
	FEB	2	AUG	8
	MAR	3	SEP	9
	APR	4	OCT	J
b)	MAY	5	NOV	K
	JUN	6	DEC	L
	Production day			
	day	marking	day	marking
	1	1	16	G
	2	2	17	H
	3	3	18	J
4	4	19	K	
5	5	20	L	
6	6	21	M	
7	7	22	N	
8	8	23	P	
9	9	24	R	
10	A	25	S	
11	B	26	T	
12	C	27	U	
13	D	28	V	
14	E	29	W	
15	F	30	X	
		31	Y	

The contents of this document are subject to change without notice.



PACKING SPECIFICATIONS (TAPING, R HOUSING)

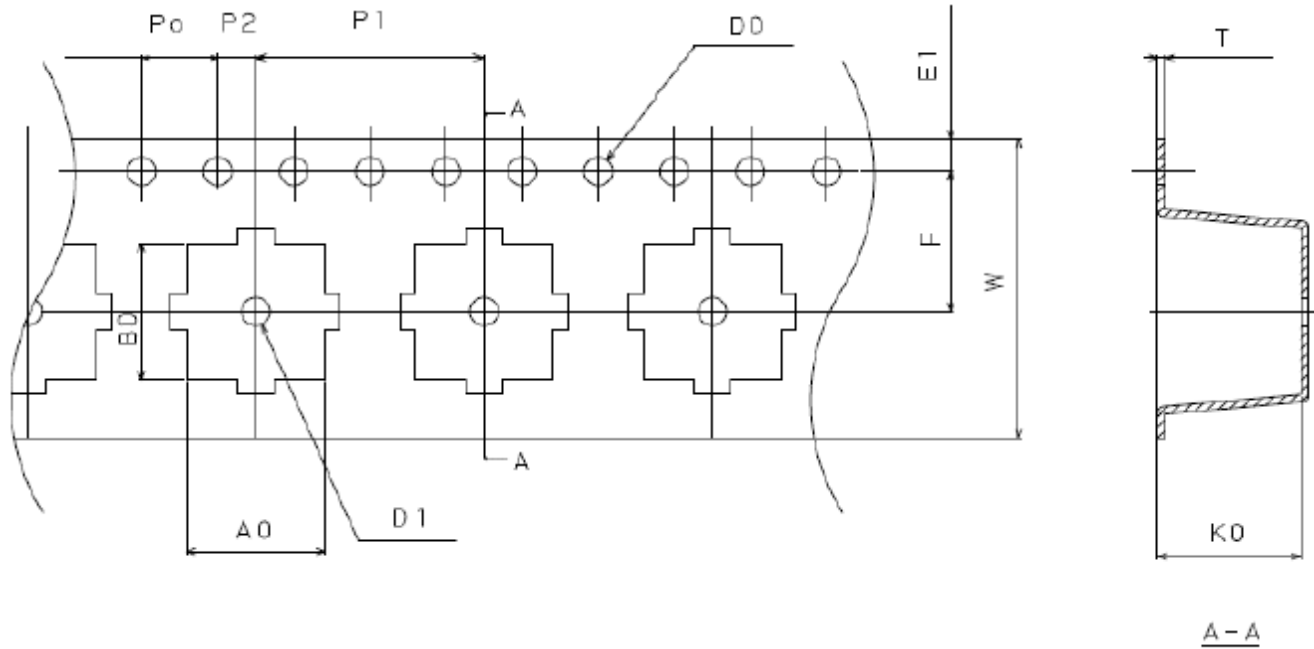
QUANTITY

- REEK PACKING 700 pcs/REEL
- BOX PACKING MAX 700 pcs /BOX (1REEL)

THE QUANTITY IS FILLED IN THE PACKING SLIP

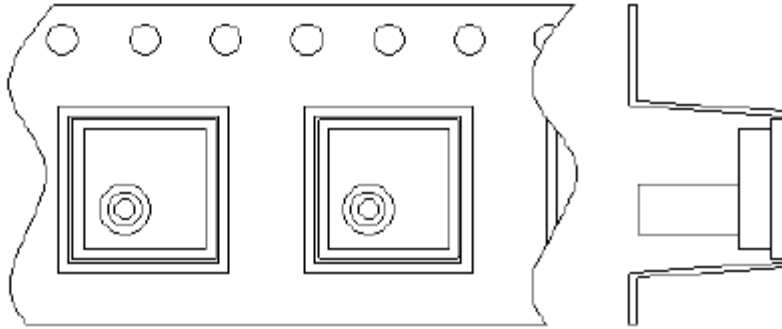
PACKING SPECIFICATIONS

- HOUSING SPECIFICATION



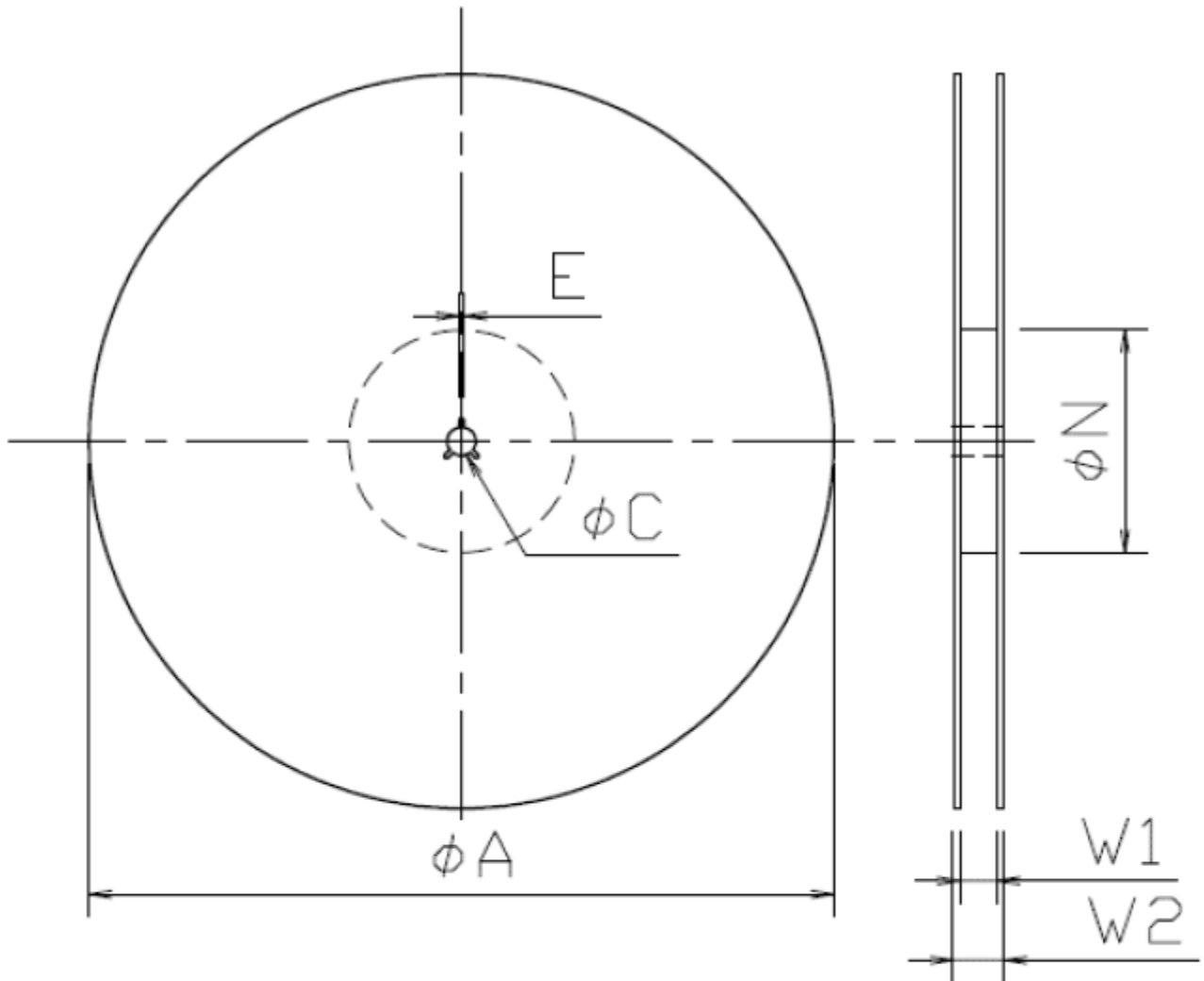
SYM.	A0	B0	W	F	E1	P1	P2	P0	φ D0	T	K0	φ D1
UNIT	7.3	7.3	16.0	7.5	1.75	12.0	2.0	4.0	1.5	0.4	7.5	1.5
mm	±0.1	±0.1	+0.3 -0.1	±0.1	±0.1	±0.1	±0.1	±0.1	+0.1 -0.0	±0.05	±0.1	±0.1

## 1. PRODUCTION STORAGE DIRECTION

**R HOUSING**

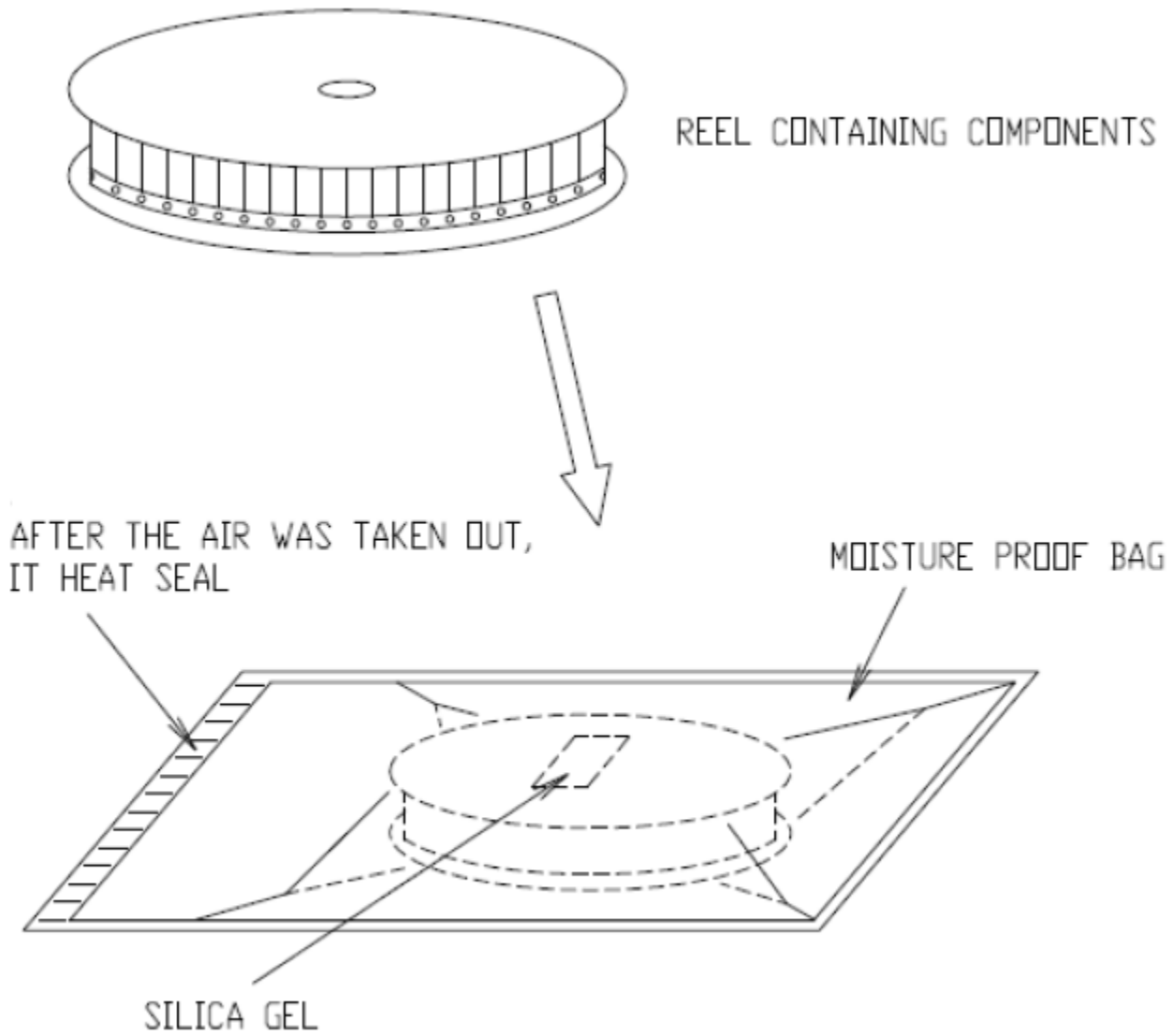
2. CARRIER TAPE MATERIEL : DISPOSED ELECTRICATION PREVENTION.
3. THE LENGTH OF LEADER TAPE : MORE THAN 100 mm INCLUDING 9 OR MORE EMBOSES IN WHICH NO COMPONENT IS PLACED.
4. THE LENGTH OF TRAILER TAPE : MORE THAN 160 mm INCLUDING EMBOSES IN WHICH NO COMPONENT IS PLACED.

REEL DIMENSION

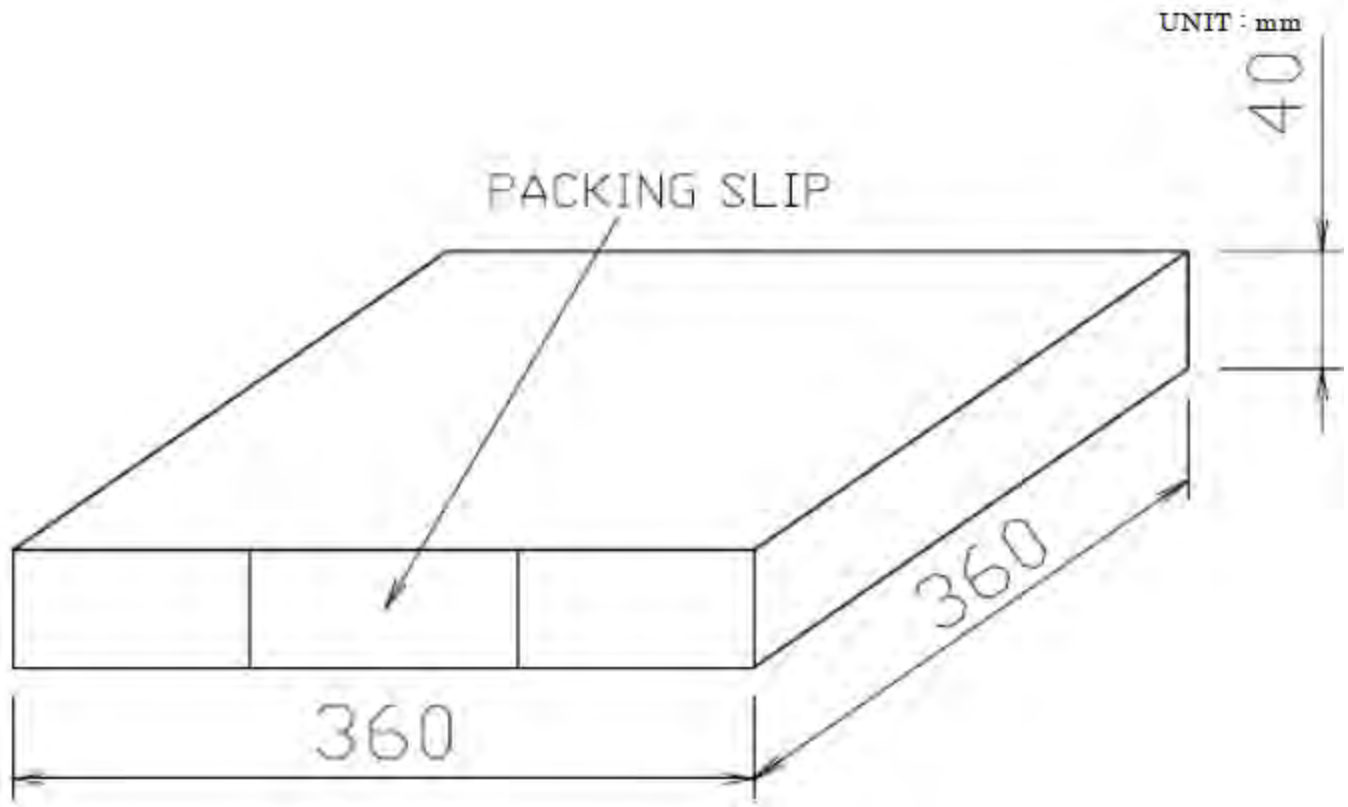


記号 SYM.	$\phi A$	$\phi C$	$\phi N$	E	W1	W2
UNIT	330	13.0	100	2.0	17.4	21.4
mm	$\pm 2.0$	$\pm 0.2$	$\pm 1.0$	$\pm 0.5$	$\pm 1.0$	$\pm 1.0$

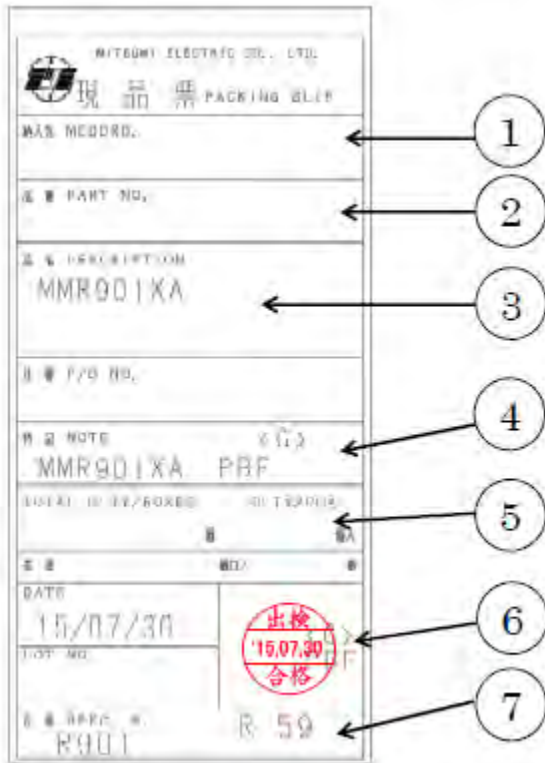
- MOISTURE PROOF PACKING



• BOX DIMENSION

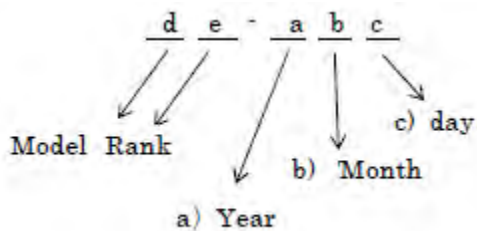


PACKING SLIP SPECIFICATION



- ① CUSTOMER NAME
- ② CUSTOMER'S MODEL NAME
- ③ MITSUMI MODEL NAME
- ④ "G mark" meaning is RoHS-compliant.
- ⑤ PACKING Q'TY (PACK/CARTON)
- ⑥ QC STAMP(SHIPMENT DATE)  
※This is pass-stamp about shipment inspection.
- ⑦ MITSUMI DRAWING NUMBER

MARK LOT NUMBER



a)	Production year			
	Production month			
	month	marking	month	marking
	JAN	1	JUL	7
	FEB	2	AUG	8
	MAR	3	SEP	9
	APR	4	OCT	J
b)	MAY	5	NOV	K
	JUN	6	DEC	L
	Production day			
	day	marking	day	marking
	1	1	16	G
	2	2	17	H
	3	3	18	J
c)	4	4	19	K
	5	5	20	L
	6	6	21	M
	7	7	22	N
	8	8	23	P
	9	9	24	R
	10	A	25	S
	11	B	26	T
	12	C	27	U
	13	D	28	V
	14	E	29	W
	15	F	30	X
			31	Y

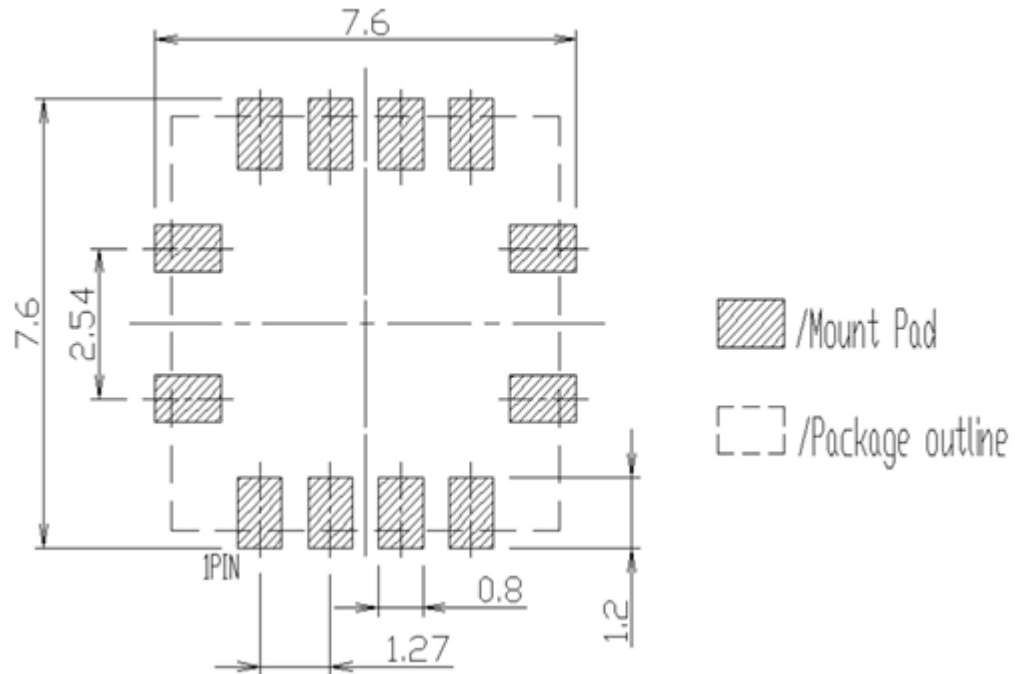
The contents of this document are subject to change without notice.

CONDITION FOR PACKAGE MOUNTING

Design example of mount pad

UNIT	mm
------	----

The dimension is for reference only and not guaranteed by design.

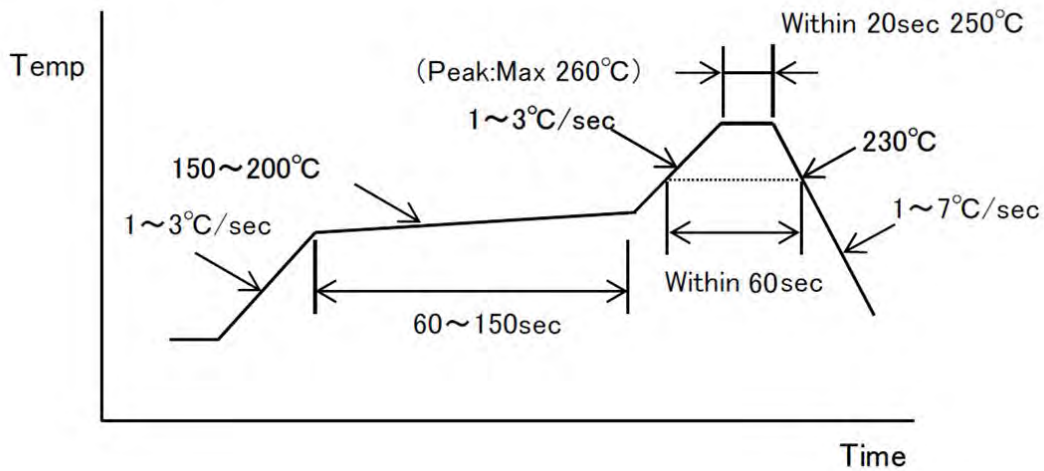


The dimension is for reference only and not guaranteed by design.

To design practically, correction should be made for optimized dimensions considering the effects of the board type to be mounted, mount (soldering) method, type and coating thickness of cream solder.

Pb-Free recommended profile condition

Reflow Soldering (max 2times)



This profile gives recommended values, which are not guaranteed. For mounting the package, evaluate the profile with the equipment, conditions, and materials to be used.

- Mounting by flow soldering  
Flow soldering cannot be used for mounting of this package.
- Mounting by manual soldering  
Manual soldering cannot be used for mounting of this package.

In the case of cleaning, please use cotton swab, and also please keep soldering-solution from entering into the pressure and atmospheric pressure opening. Please do not use ultrasonic cleaning (dipping).

Cleaning method

Cleaning solution	Isopropyl alcohol
Solvent temperature	Max 45°C
Cleaning time	Within 3 min

Note

When insert a tube to this package, please keep direction of a tube at right angle with this package. Also, after mounting by reflow, please make sure not to insert a tube to package before finish cooling. If place an extra strain on cover nozzle, it is possible that occur cover nozzle broken, interface delamination between cover nozzle and printed wiring board. It has the potential to become air-leak problem.



## Storage method

### Storage condition

Store the device under the following conditions.

Temperature: **5~30°C**

Humidity: 40~70%RH

Storage life: 1year

For the product in the moisture-proof packaging, follow these conditions after unpacking.

Temperature: **5~30°C**

Humidity: 40~70%RH

Storage life: 168hours

Do not store this device where a large amount of dust or harmful volatile gas exists, electrostatic is easily charged, condensation is generated, or changes in temperature and humidity are wide, or under the direct sunlight.

### Baking

If the storage time specified above has passed, mounting by soldering may cause cracks on the moistureabsorbed package. Before mounting, the package should be baked under the following conditions.

Temperature: 125°C

Treating time: 16 to 24 hours

Trays, embossing tapes and reels are not heat-resistant type.

Before baking, the device should be placed in a heat-resistant container.

In consideration of the time-consuming baking process and the possibility of deformed terminal, the device should be mounted promptly within the time observing the storage conditions.

If a long-term storage is needed, a desiccator or a dry box should be used.

Handling instructions

Shipping boxes must be handled with care because any drop or shock may damage the device.

Additionally, the device must be handled in the place with the protection against electrostatic charge and without extreme changes of temperature/humidity.

This device is a piezoresistive pressure sensor. Due to its sensing principle, the output value of a piezoresistive pressure sensor is affected by thermal stress fluctuations. Therefore, after reflow soldering, the offset value of this device shifts. And the shift amount decreases gradually over time. (See the Fig. below.) Please evaluate and confirm the offset shift after reflow soldering.

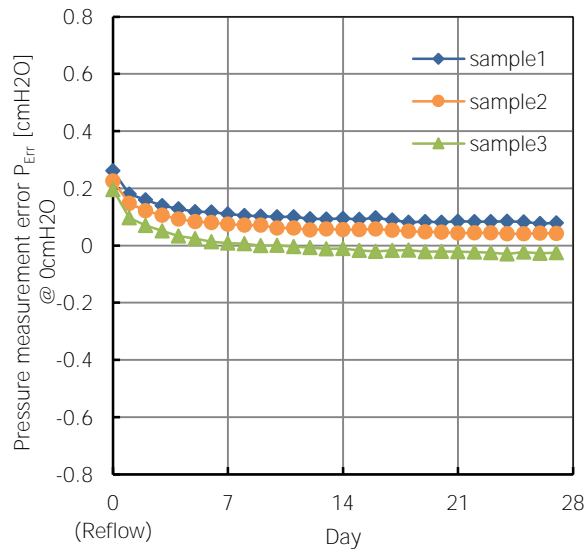


Fig. Offset Shift and Relaxation after Reflow Soldering

## MITSUMI ELECTRIC CO., LTD.

Strategy Engineering Department Semiconductor Business Division

Tel: +81-46-230-3470 / <https://www.mitsumi.co.jp/profile/contact.html>

### Notes:

Any products mentioned this datasheet are subject to any modification in their appearance and others for improvements without prior notification. The details listed here are not a guarantee of the individual products at the time of ordering. When using the products, you will be asked to check their specifications.

## X-ON Electronics

Largest Supplier of Electrical and Electronic Components

*Click to view similar products for [Board Mount Pressure Sensors](#) category:*

*Click to view products by [MinebeaMitsumi](#) manufacturer:*

Other Similar products are found below :

[6407-249V-17343P](#) [6407-250V-09273P](#) [6407-250V-09343P](#) [80527-25.0H2-05](#) [80541-B00000150-01](#) [80541-B00000200-05](#) [80554-00700100-05](#) [80568-00300050-01](#) [93.631.4253.0](#) [93.731.4353.0](#) [93.932.4553.0](#) [136PC15A1](#) [142PC95AW71](#) [142PC05DW70](#) [15PSI-G-4V1805-01A-L0N-B](#) [26PCBKT](#) [26PCCFA6D26](#) [26PCCFS2G](#) [26PCCVA6D](#) [93.632.7353.0](#) [93.731.3653.0](#) [93.931.4853.0](#) [93.932.4853.0](#) [SDP510-500PA](#) [185PC30DH](#) [20INCH-G-MV-MINI](#) [26PCAFJ3G](#) [26PCCEP5G24](#) [26PCCFJ3G](#) [26PCDFA3G](#) [26PCJEU5G19](#) [30INCH-D1-MV-MINI](#) [ASCX15AN-90](#) [ASCX15AN/SZ76114](#) [4426-015G](#) [4525-DS5A030DP](#) [DCAL401DN](#) [DCAL401GN](#) [4515-DS5A020DP](#) [XZ202798SSC](#) [XZ203676HSC](#) [6407-249V-09273P](#) [6407-249V-09343P](#) [6407-249V-17273P](#) [6407-250V-17273P](#) [6407-250V-17343P](#) [81717-00000050-05](#) [81794-B00001200-01](#) [82681-B00000100-01](#)