

# Slide and Rotary Encoder Switches SIQ Series

## FEATURES

1. Small mount area.(11.1×10).
2. Rotary encoder is 15 detents.
3. By the composite with a rotary encoder and slide switch, compound operation of three directions is possible.
4. Example of rotary encoder+slide switch use.  
It can be used as a function key called menu selection+determination.
5. The mounting height to the operation dial in a set state is 4mm. and thin shape-ized realization.(Operation dial can be customized.)
6. SMT type and reflow-soldering for surface mounting.
7. After the installation, you can attach the knob of your design on the type without the knob.

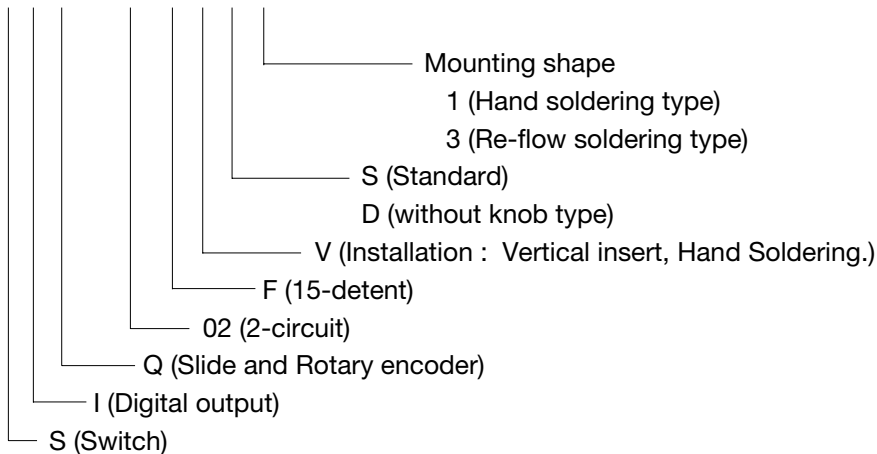


## USES

1. A compound control switch for the machine which is portable besides that the CD-MD player, PDA, digital still camera.

## MODEL NAME CODE

**SIQ - 02 F V S 1**



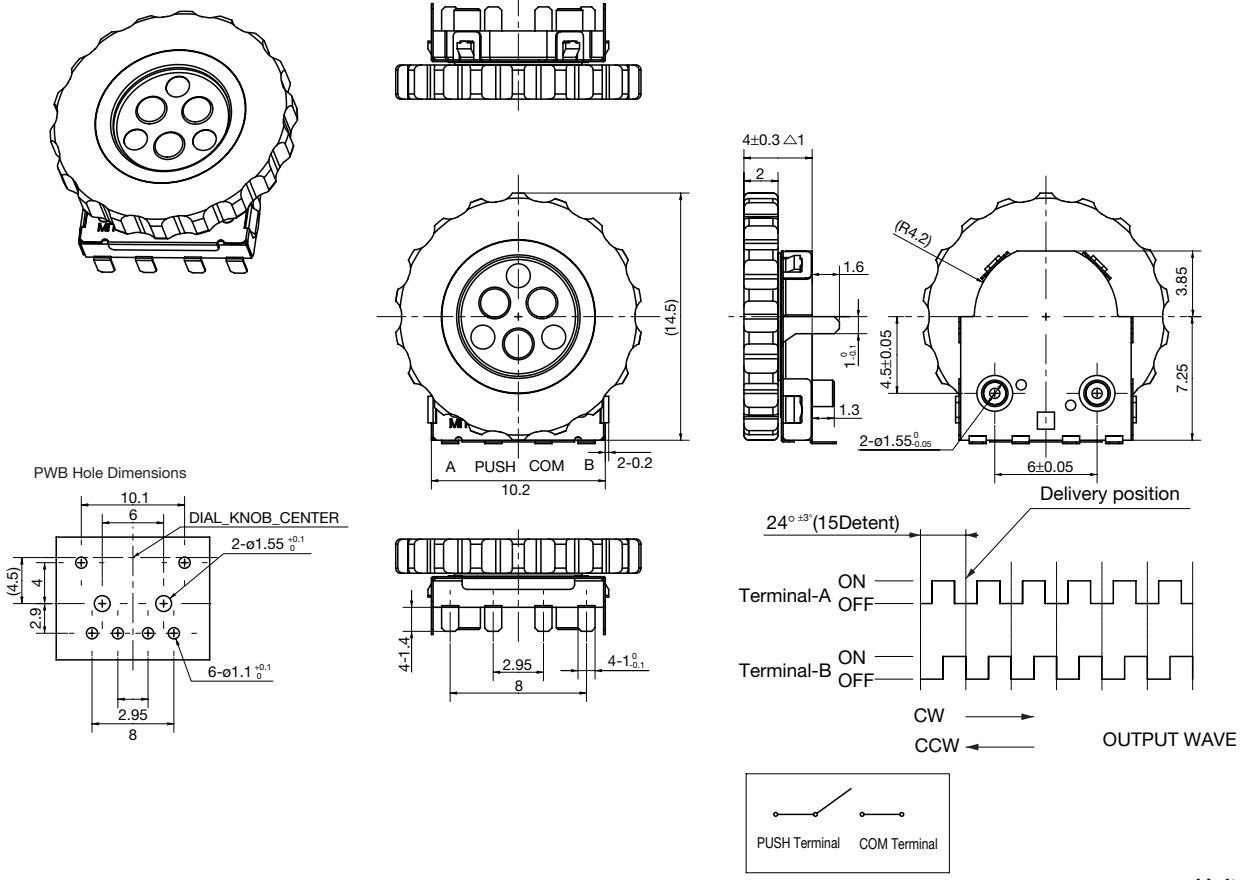
## TYPE

Model Name Code	Order Number	No. of Detent	Rotational Torque	Pcs
SIQ-02FVS1	R66 6288	15	5mN · m (49gf · cm) or less	250
SIQ-02FVS3	R66 6557	15	5mN · m (49gf · cm) or less	500
SIQ-02FVD1	R66 6861	15	5mN · m (49gf · cm) or less	500

## SPECIFICATIONS

Electrical Characteristics	Rating	0.5mA, 5V DC
	Contact Resistance	1Ω or less
	Insulation Resistance	10MΩ or more
	Withstand Voltage	1 minute at 50V AC
Mechanical Characteristics	Operating Force	3~6N (Part Slide)
	Rotational Torque	5mN · m (49gf · cm) or less (Part Rotary encoder)
	Life	50,000 cycles (Part Slide) 50,000 cycles (Part Rotary encoder)

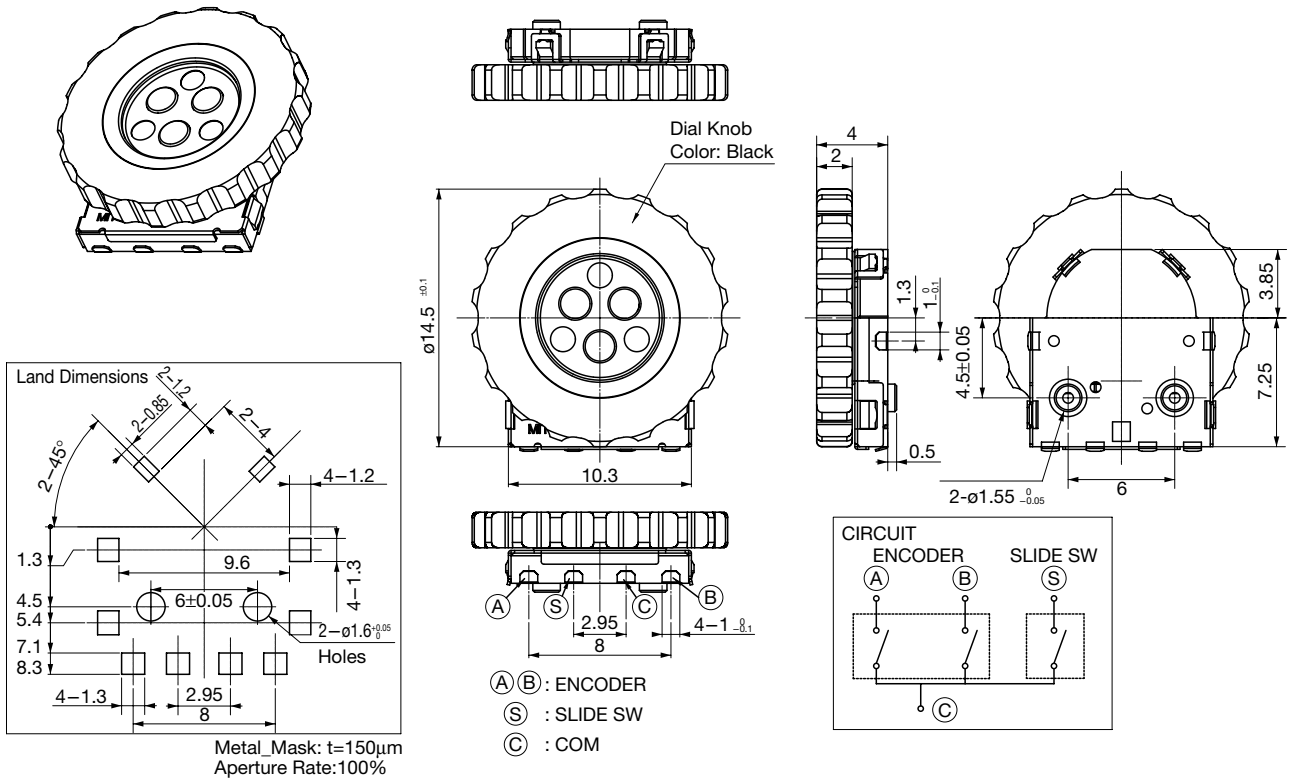
**DIMENSIONS**



**SIQ-02FVS1**

Push switch Circuit Diagram

Unit : mm



Metal\_Mask: t=150µm  
Aperture Rate:100%

**SIQ-02FVS3**

Unit : mm



## X-ON Electronics

Largest Supplier of Electrical and Electronic Components

*Click to view similar products for [Coded Rotary Switches](#) category:*

*Click to view products by [MinebeaMitsumi](#) manufacturer:*

Other Similar products are found below :

[PT65503RT](#) [Y36D02243FPLFT](#) [RTAP31S12WFLSP](#) [MADR-16H1](#) [GSER-10](#) [6KF001B-3S10R4-0](#) [EC11E153442W](#) [SC-2110](#) [SD-2010TB](#)  
[MER-16H](#) [EDR-08](#) [USR-10](#) [FSR-08](#) [FSR-04S](#) [ESR-16](#) [HAMR-10S](#) [SDR-10H](#) [QSR-16H](#) [HAMR-16](#) [FDR-04S](#) [EDR-16S](#) [ESR-10S](#) [QDR-](#)  
[08H1](#) [TDR-04](#) [EDR-08S](#) [ESR-16H](#) [QDR-10](#) [EDR-10S](#) [QSR-06S](#) [ESR-08S](#) [EC11E156040N](#) [EC11B15243DC](#) [EC35AH220501](#)  
[EC18AGB20406](#) [EC11E09244C3](#) [EC11G1534414](#) [EC11E156T402](#) [EC60A1520405](#) [EC11E1564454](#) [EC11J0925501](#) [EC11E15204B1](#)  
[EC11E1564439](#) [EC50A0920403](#) [ED103180-FE14.5S7.5-A16-1010](#) [ED08C030-FE18C9.0-A16-1002X](#) [ED08C210-FE18A6.0-A16-1002](#)  
[ED08C110-FE18S9.0-A16-1040](#) [ED08C150-BM20S6.0-A16-1026](#) [ED103010-SP17S8.0-A16-1012](#) [ED113020-FB15S7.0-C12-0005](#)