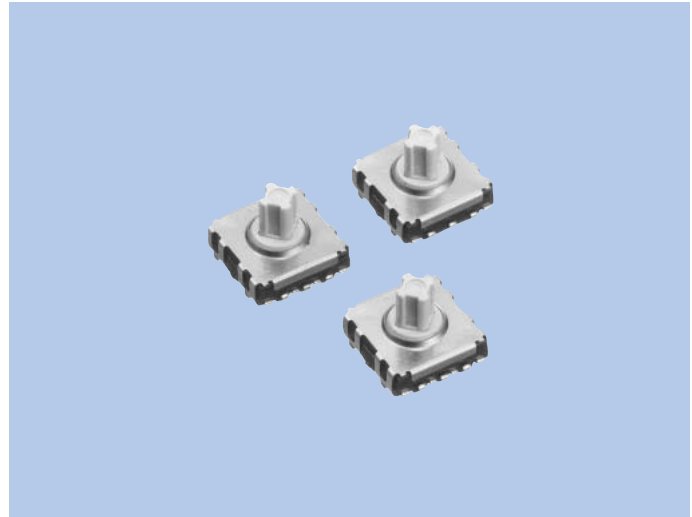


Multi-Function Tactile Switches SOQ Series

FEATURES

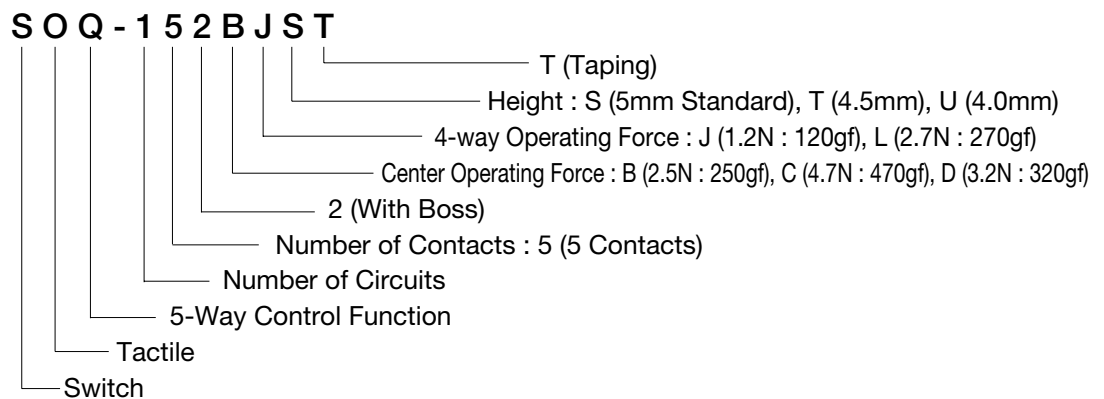
1. Minimized surface area (Just 6mm square).
2. Each circuit has 5 contacts to accommodate comparators.
3. Unique 2 layer construction to accommodate larger center click springs for longer service life.
4. Unique 4 way control function for enhanced tactile control sensations.
5. SMT type and reflow-soldering for surface mounting.



USES

1. Mobile phones, Digital still camera, Game machines and PDA peripherals.

MODEL NAME CODE



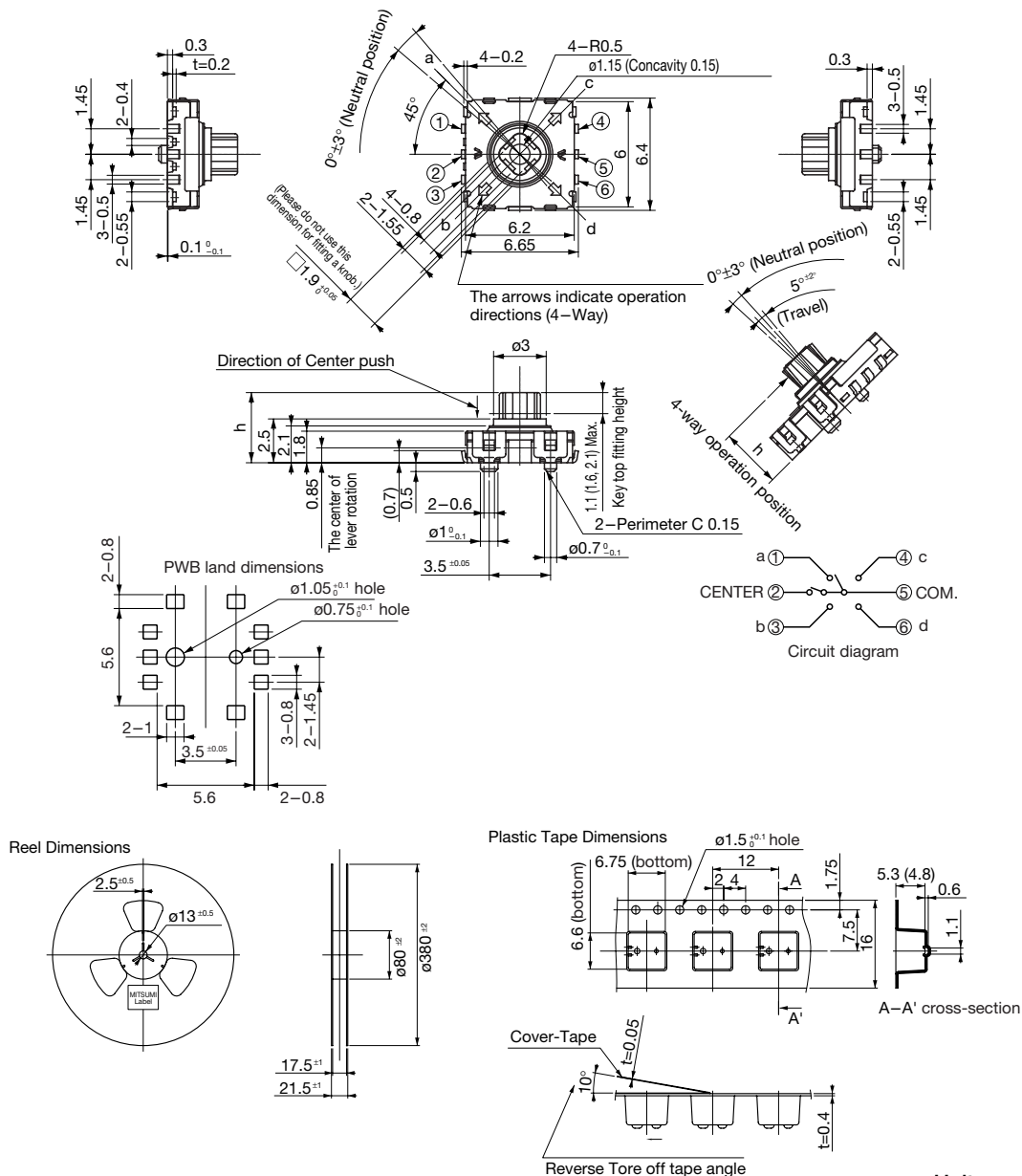
SPECIFICATIONS

Electrical Characteristics	Rating		50mA, 12V DC
	Contact Resistance		200mΩ or less
	Insulation Resistance		100MΩ or more
	Withstand Voltage		1 minute at 100V
Mechanical Characteristics	4-Way	J Type	1.2N (120gf)
		L Type	2.7N (270gf)
	Center	B Type	2.5N (250gf)
		C Type	4.7N (470gf)
		D Type	3.2N (320gf)
Life	BJ Type		200,000cycles
	CL Type		100,000cycles
	DJ Type		100,000cycles

TYPE

Model Name Code	Order Number	Operating Force		Number of Contacts	Mounting Height (h)	Pcs/Reel
		Center	4-Way			
SOQ-152BJST	R66 6538	2.5N(250gf)	1.2N(120gf)	5	5.0mm	1,000
SOQ-152BJTT	R66 6539	2.5N(250gf)	1.2N(120gf)	5	4.5mm	1,000
SOQ-152CLST	R66 6540	4.7N(470gf)	2.7N(270gf)	5	5.0mm	1,000
SOQ-152CLTT	R66 6541	4.7N(470gf)	2.7N(270gf)	5	4.5mm	1,000
SOQ-152DJST	R66 6542	3.2N(320gf)	1.2N(120gf)	5	5.0mm	1,000
SOQ-152DJTT	R66 6543	3.2N(320gf)	1.2N(120gf)	5	4.5mm	1,000
SOQ-152BJUT	R66 6815	2.5N(250gf)	1.2N(120gf)	5	4.0mm	1,000

DIMENSIONS



*One reel accommodates 1,000 pieces (Ø380).
Inside (), 4.5mm specification.

Unit : mm
★Tolerance : ±0.3mm

X-ON Electronics

Largest Supplier of Electrical and Electronic Components

Click to view similar products for [Multi-Directional Switches](#) category:

Click to view products by [MinebeaMitsumi](#) manufacturer:

Other Similar products are found below :

[MJTP1109AL](#) [RA3CSH6A](#) [APTCFVTR](#) [RKJXW1014002](#) [RKJXW2014001](#) [T4-0183](#) [T4-TCN3332](#) [TSWA-3N-CUP2-LFS](#) [TSW A-3N-CUP-LFS](#) [3J2115-200N](#) [3J2015-200](#) [T5-CK2212](#) [3J2015-200N](#) [SOQ-152BJST](#) [CS41001E](#) [T4-0010](#) [2200-000301](#) [PL3-AC-V-T/R](#) [T4-CN211N](#) [RKJXK1210002](#) [RKJXK122000D](#) [RKJXK122400Y](#) [RKJXL100401V](#) [RKJXM1015004](#) [RKJXS1004001](#) [RKJXT1F42001](#) [RKJXV1220001](#) [RKJXV1224005](#) [RKJXY1000006](#) [SKQUDBE010](#) [SKRHAAE010](#) [SKRHABE010](#) [SKRHACE010](#) [SKRHADE010](#) [SLLB120100](#) [SLLB120200](#) [SLLB120300](#) [SLLB510100](#) [SLLB510200](#) [SLLB520100](#) [SRBE110301](#) [SRBE210200](#) [AMPTFP2VTR](#) [D162023302](#) [QS1 KQS1 BK S C](#) [QS2 KQS1 BK N C](#) [QS2 KQS1 BK S C](#) [Tsw A-3n-Cb11 Lfs](#) [TSW A-3N-C-LFS](#)