



**General Description**

The MD70XX series is a set of three-terminal low power voltage detectors implemented in CMOS technology. Each voltage detector in the series detects a particular fixed voltage ranging from 1.2V to 7V. The voltage detectors consist of a high-precision and low power consumption standard voltage source, a comparator, hysteresis circuit, and an output driver. CMOS technology ensures low power consumption. Although designed primarily as fixed voltage detectors, these devices can be used with external components to detect user specified threshold voltages

**Features**

- Low power consumption
- Low temperature coefficient
- Built-in high-stability reference source
- Open drain types:
  - NMOS: MD70XX
  - CMOS: 70XXC
- Built-in hysteresis characteristic
- TO-92 package
- SOT-89 package
- SOT-23-3/5 package
- SSOT-24 package

**Applications**



- Battery checkers
- Level selectors
- Power failure detectors
- Microcomputer reset
- Battery memory backup
- Non-volatile RAM signal storage protectors

**Absolute Maximum Ratings**

Supply Voltage.....	-0.3V to 18V	Power Consumption:	
Output Voltage .....	V <sub>SS</sub> -0.3V to V <sub>DD</sub> +0.3V	SOT89-3	500mW
Storage Temperature.....	-50°C to 125°C	TO-92	300mW
Operating Temperature.....	-40°C to 85°C	SOT23-/5	250mW
Output Current.....	10mA	SSOT-24	250mW

Note: These are stress ratings only. Stresses exceeding the range specified under Absolute Maximum Ratings may cause substantial damage to the device. Functional operation of this device at other conditions beyond those listed in the specification is not implied and prolonged exposure to extreme conditions may affect device reliability.

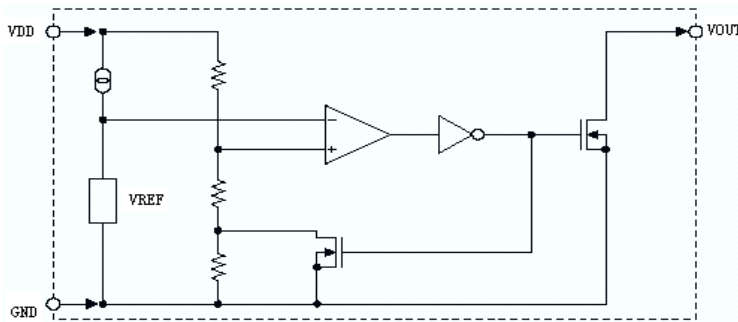
**Selection Table**

Part No.	Detectable Voltage	Hysteresis Width	Tolerance	Marking		
				NMOS Drain output		CMOS output
				TO92/SOT89-3	SOT23-3/5	SOT23-3/5
MD7015	1.5V	0.075V	±3%	 70XX	 0XX	70XXC
MD7019	1.9V	0.095V	±3%			
MD7020	2.0V	0.100V	±3%			
MD7021	2.1V	0.105V	±3%			
MD7022	2.2V	0.110V	±3%			
MD7023	2.3V	0.115V	±3%			
MD7024	2.4V	0.120V	±3%			
MD7025	2.5V	0.125V	±3%			
MD7027	2.7V	0.135V	±3%			
MD7030	3.0V	0.150V	±3%			
MD7033	3.3V	0.165V	±3%			
MD7036	3.6V	0.180V	±3%			
MD7039	3.9V	0.195V	±3%			
MD7042	4.2V	0.210V	±3%			
MD7044	4.4V	0.220V	±3%			
MD7050	5.0V	0.250V	±3%			
MD7070	7.0V	0.350V	±3%			

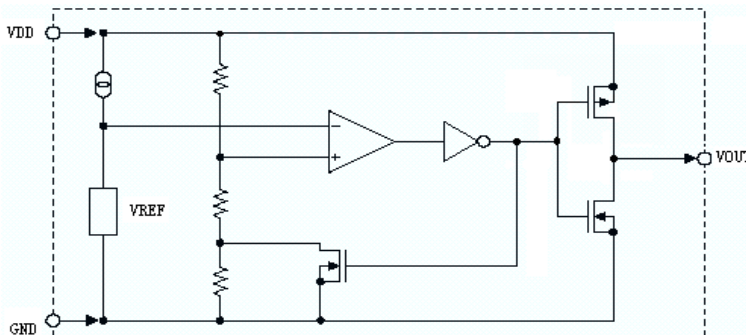
For example: The MD7044 is a 4.4V, NMOS open drain active low output  
 For semi-custom parts,selectable regulated voltage range is from 1.2V to 12V in 0.1V increment.  
 For semi-custom parts,selectable output type CMOS .

**Block Diagram**

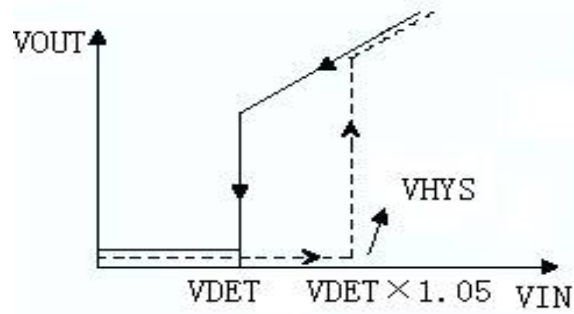
**N channel open drain output (normal open; active low)**



**CMOS output (normal high; active low)**

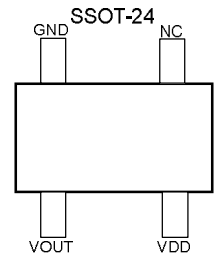
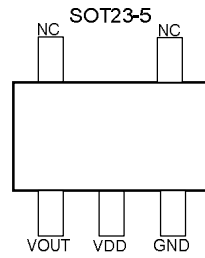
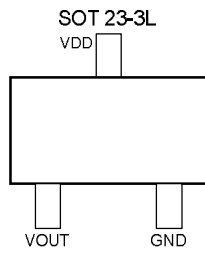
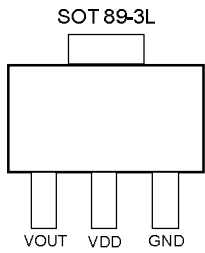
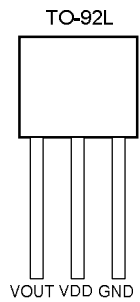


**Logical Characteristic(NMOS/CMOS TYPE)**



- (1) Solid Line ..... $V_{IN}$  from Hi→Lo
- (2) Dash Line ..... $V_{IN}$  from Lo→Hi

**Pin Assignment**



**Electrical Characteristic****MD7015**T<sub>A</sub>=25°C

Symbol	Parameter	Test Conditions		Min.	Typ.	Max.	Unit
		V <sub>DD</sub>	Conditions				
V <sub>DET</sub>	Hi→Lo Detectable Voltage	--	--	1.455	1.5	1.545	V
V <sub>HYS</sub>	Hysteresis Width	--	--	0.02 V <sub>DET</sub>	0.05 V <sub>DET</sub>	0.07 V <sub>DET</sub>	%
I <sub>DD</sub>	Operating Current	2.5	No load	--	1.2	3	uA
V <sub>DD</sub>	Operating Voltage	--	--	1.0	--	15	V
I <sub>OL</sub>	Output Sink Current	1.45	V <sub>OUT</sub> =0.2V	1	1.5	--	mA
$\frac{\Delta V_{DET}}{\Delta T_A}$	Temperature Coefficient	--	0°C<T <sub>a</sub> <70°C	--	±0.4	--	mV/°C

**MD7019**T<sub>A</sub>=25°C

Symbol	Parameter	Test Conditions		Min.	Typ.	Max.	Unit
		V <sub>DD</sub>	Conditions				
V <sub>DET</sub>	Hi→Lo Detectable Voltage	--	--	1.843	1.9	1.957	V
V <sub>HYS</sub>	Hysteresis Width	--	--	0.02 V <sub>DET</sub>	0.05 V <sub>DET</sub>	0.07 V <sub>DET</sub>	%
I <sub>DD</sub>	Operating Current	2.9	No load	--	1.2	3	uA
V <sub>DD</sub>	Operating Voltage	--	--	1.5	--	15	V
I <sub>OL</sub>	Output Sink Current	1.8	V <sub>OUT</sub> =0.2V	1	2	--	mA
$\frac{\Delta V_{DET}}{\Delta T_A}$	Temperature Coefficient	--	0°C<T <sub>a</sub> <70°C	--	±0.5	--	mV/°C

**MD7020**T<sub>A</sub>=25°C

Symbol	Parameter	Test Conditions		Min.	Typ.	Max.	Unit
		V <sub>DD</sub>	Conditions				
V <sub>DET</sub>	Hi→Lo Detectable Voltage	--	--	1.94	2.0	2.06	V
V <sub>HYS</sub>	Hysteresis Width	--	--	0.02 V <sub>DET</sub>	0.05 V <sub>DET</sub>	0.07 V <sub>DET</sub>	%
I <sub>DD</sub>	Operating Current	2.9	No load	--	1.2	3	uA
V <sub>DD</sub>	Operating Voltage	--	--	1.5	--	15	V
I <sub>OL</sub>	Output Sink Current	1.8	V <sub>OUT</sub> =0.2V	1	2	--	mA
$\frac{\Delta V_{DET}}{\Delta T_A}$	Temperature Coefficient	--	0°C<T <sub>a</sub> <70°C	--	±0.5	--	mV/°C

**MD7021**T<sub>A</sub>=25°C

Symbol	Parameter	Test Conditions		Min.	Typ.	Max.	Unit
		V <sub>DD</sub>	Conditions				
V <sub>DET</sub>	Hi→Lo Detectable Voltage	--	--	2.037	2.1	2.163	V
V <sub>HYS</sub>	Hysteresis Width	--	--	0.02 V <sub>DET</sub>	0.05 V <sub>DET</sub>	0.07 V <sub>DET</sub>	%
I <sub>DD</sub>	Operating Current	3.1	No load	--	1.2	3	uA
V <sub>DD</sub>	Operating Voltage	--	--	1.5	--	15	V
I <sub>OL</sub>	Output Sink Current	2	V <sub>OUT</sub> =0.2V	1	2	--	mA
$\frac{\Delta V_{DET}}{\Delta T_A}$	Temperature Coefficient	--	0°C<T <sub>a</sub> <70°C	--	±0.5	--	mV/°C

**MD7022**

T<sub>A</sub>=25°C

Symbol	Parameter	Test Conditions		Min.	Typ.	Max.	Unit
		V <sub>DD</sub>	Conditions				
V <sub>DET</sub>	Hi→Lo Detectable Voltage	--	--	2.134	2.2	2.266	V
V <sub>HYS</sub>	Hysteresis Width	--	--	0.02 V <sub>DET</sub>	0.05 V <sub>DET</sub>	0.07 V <sub>DET</sub>	%
I <sub>DD</sub>	Operating Current	3.2	No load	--	1.2	3	uA
V <sub>DD</sub>	Operating Voltage	--	--	1.5	--	15	V
I <sub>OL</sub>	Output Sink Current	2	V <sub>OUT</sub> =0.2V	1.5	3	--	mA
$\frac{\Delta V_{DET}}{\Delta T_A}$	Temperature Coefficient	--	0°C<T <sub>a</sub> <70°C	--	±0.5	--	mV/°C

**MD7023**

T<sub>A</sub>=25°C

Symbol	Parameter	Test Conditions		Min.	Typ.	Max.	Unit
		V <sub>DD</sub>	Conditions				
V <sub>DET</sub>	Hi→Lo Detectable Voltage	--	--	2.231	2.3	2.369	V
V <sub>HYS</sub>	Hysteresis Width	--	--	0.02 V <sub>DET</sub>	0.05 V <sub>DET</sub>	0.07 V <sub>DET</sub>	%
I <sub>DD</sub>	Operating Current	2.9	No load	--	1.2	3	uA
V <sub>DD</sub>	Operating Voltage	--	--	1.5	--	15	V
I <sub>OL</sub>	Output Sink Current	1.8	V <sub>OUT</sub> =0.2V	1	2	--	mA
$\frac{\Delta V_{DET}}{\Delta T_A}$	Temperature Coefficient	--	0°C<T <sub>a</sub> <70°C	--	±0.5	--	mV/°C

**MD7024**

T<sub>A</sub>=25°C

Symbol	Parameter	Test Conditions		Min.	Typ.	Max.	Unit
		V <sub>DD</sub>	Conditions				
V <sub>DET</sub>	Hi→Lo Detectable Voltage	--	--	2.328	2.4	2.472	V
V <sub>HYS</sub>	Hysteresis Width	--	--	0.02 V <sub>DET</sub>	0.05 V <sub>DET</sub>	0.07 V <sub>DET</sub>	%
I <sub>DD</sub>	Operating Current	3.4	No load	--	1.2	3	uA
V <sub>DD</sub>	Operating Voltage	--	--	1.5	--	15	V
I <sub>OL</sub>	Output Sink Current	2.2	V <sub>OUT</sub> =0.2V	1.5	3	--	mA
$\frac{\Delta V_{DET}}{\Delta T_A}$	Temperature Coefficient	--	0°C<T <sub>a</sub> <70°C	--	±0.5	--	mV/°C

**MD7025**

T<sub>A</sub>=25°C

Symbol	Parameter	Test Conditions		Min.	Typ.	Max.	Unit
		V <sub>DD</sub>	Conditions				
V <sub>DET</sub>	Hi→Lo Detectable Voltage	--	--	2.425	2.5	2575	V
V <sub>HYS</sub>	Hysteresis Width	--	--	0.02 V <sub>DET</sub>	0.05 V <sub>DET</sub>	0.07 V <sub>DET</sub>	%
I <sub>DD</sub>	Operating Current	3.5	No load	--	1.2	3	uA
V <sub>DD</sub>	Operating Voltage	--	--	1.5	--	15	V
I <sub>OL</sub>	Output Sink Current	2.3	V <sub>OUT</sub> =0.2V	1.5	3	--	mA
$\frac{\Delta V_{DET}}{\Delta T_A}$	Temperature Coefficient	--	0°C<T <sub>a</sub> <70°C	--	±0.5	--	mV/°C

**MD7027**

T<sub>A</sub>=25°C

Symbol	Parameter	Test Conditions		Min.	Typ.	Max.	Unit
		V <sub>DD</sub>	Conditions				
V <sub>DET</sub>	Hi→Lo Detectable Voltage	--	--	2.619	2.7	2.781	V
V <sub>HYS</sub>	Hysteresis Width	--	--	0.02	0.05	0.07	%
I <sub>DD</sub>	Operating Current	3.7	No load	--	1.2	3	uA
V <sub>DD</sub>	Operating Voltage	--	--	1.5	--	15	V
I <sub>OL</sub>	Output Sink Current	2.5	V <sub>OUT</sub> =0.2V	2	4	--	mA
$\frac{\Delta V_{DET}}{\Delta T_A}$	Temperature Coefficient	--	0°C<T <sub>a</sub> <70°C	--	±0.5	--	mV/°C

**MD7030**

T<sub>A</sub>=25°C

Symbol	Parameter	Test Conditions		Min.	Typ.	Max.	Unit
		V <sub>DD</sub>	Conditions				
V <sub>DET</sub>	Hi→Lo Detectable Voltage	--	--	2.91	3.0	3.09	V
V <sub>HYS</sub>	Hysteresis Width	--	--	0.02	0.05	0.07	%
I <sub>DD</sub>	Operating Current	4.0	No load	--	1.2	3	uA
V <sub>DD</sub>	Operating Voltage	--	--	1.5	--	15	V
I <sub>OL</sub>	Output Sink Current	2.7	V <sub>OUT</sub> =0.2V	2	4	--	mA
$\frac{\Delta V_{DET}}{\Delta T_A}$	Temperature Coefficient	--	0°C<T <sub>a</sub> <70°C	--	±0.5	--	mV/°C

**MD7033**

T<sub>A</sub>=25°C

Symbol	Parameter	Test Conditions		Min.	Typ.	Max.	Unit
		V <sub>DD</sub>	Conditions				
V <sub>DET</sub>	Hi→Lo Detectable Voltage	--	--	3.201	3.3	3.399	V
V <sub>HYS</sub>	Hysteresis Width	--	--	0.02	0.05	0.07	%
I <sub>DD</sub>	Operating Current	4.3	No load	--	1.2	3	uA
V <sub>DD</sub>	Operating Voltage	--	--	1.5	--	15	V
I <sub>OL</sub>	Output Sink Current	3.1	V <sub>OUT</sub> =0.2V	2	4	--	mA
$\frac{\Delta V_{DET}}{\Delta T_A}$	Temperature Coefficient	--	0°C<T <sub>a</sub> <70°C	--	±0.5	--	mV/°C

**MD7036**

T<sub>A</sub>=25°C

Symbol	Parameter	Test Conditions		Min.	Typ.	Max.	Unit
		V <sub>DD</sub>	Conditions				
V <sub>DET</sub>	Hi→Lo Detectable Voltage	--	--	3.492	3.6	3.708	V
V <sub>HYS</sub>	Hysteresis Width	--	--	0.02	0.05	0.07	%
I <sub>DD</sub>	Operating Current	2.9	No load	--	1.2	3	uA
V <sub>DD</sub>	Operating Voltage	--	--	1.5	--	15	V
I <sub>OL</sub>	Output Sink Current	1.8	V <sub>OUT</sub> =0.2V	1	2	--	mA
$\frac{\Delta V_{DET}}{\Delta T_A}$	Temperature Coefficient	--	0°C<T <sub>a</sub> <70°C	--	±0.5	--	mV/°C

**MD7039**T<sub>A</sub>=25°C

Symbol	Parameter	Test Conditions		Min.	Typ.	Max.	Unit
		V <sub>DD</sub>	Conditions				
V <sub>DET</sub>	Hi→Lo Detectable Voltage	--	--	3.783	3.9	4.017	V
V <sub>HYS</sub>	Hysteresis Width	--	--	0.02 V <sub>DET</sub>	0.05 V <sub>DET</sub>	0.07 V <sub>DET</sub>	%
I <sub>DD</sub>	Operating Current	4.9	No load	--	.22	3	uA
V <sub>DD</sub>	Operating Voltage	--	--	1.5	--	15	V
I <sub>OL</sub>	Output Sink Current	3.7	V <sub>OUT</sub> =0.2V	3	6	--	mA
$\frac{\Delta V_{DET}}{\Delta T_A}$	Temperature Coefficient	--	0°C<T <sub>a</sub> <70°C	--	±0.5	--	mV/°C

**MD7042**T<sub>A</sub>=25°C

Symbol	Parameter	Test Conditions		Min.	Typ.	Max.	Unit
		V <sub>DD</sub>	Conditions				
V <sub>DET</sub>	Hi→Lo Detectable Voltage	--	--	4.074	4.2	4.326	V
V <sub>HYS</sub>	Hysteresis Width	--	--	0.02 V <sub>DET</sub>	0.05 V <sub>DET</sub>	0.07 V <sub>DET</sub>	%
I <sub>DD</sub>	Operating Current	5.2	No load	--	1.2	3	uA
V <sub>DD</sub>	Operating Voltage	--	--	1.5	--	15	V
I <sub>OL</sub>	Output Sink Current	3.8	V <sub>OUT</sub> =0.2V	3	6	--	mA
$\frac{\Delta V_{DET}}{\Delta T_A}$	Temperature Coefficient	--	0°C<T <sub>a</sub> <70°C	--	±0.6	--	mV/°C

**MD7044**T<sub>A</sub>=25°C

Symbol	Parameter	Test Conditions		Min.	Typ.	Max.	Unit
		V <sub>DD</sub>	Conditions				
V <sub>DET</sub>	Hi→Lo Detectable Voltage	--	--	4.268	4.4	4.532	V
V <sub>HYS</sub>	Hysteresis Width	--	--	0.02 V <sub>DET</sub>	0.05 V <sub>DET</sub>	0.07 V <sub>DET</sub>	%
I <sub>DD</sub>	Operating Current	5.4	No load	--	1.2	3	uA
V <sub>DD</sub>	Operating Voltage	--	--	1.5	--	15	V
I <sub>OL</sub>	Output Sink Current	4.0	V <sub>OUT</sub> =0.2V	4	8	--	mA
$\frac{\Delta V_{DET}}{\Delta T_A}$	Temperature Coefficient	--	0°C<T <sub>a</sub> <70°C	--	±0.6	--	mV/°C

**MD7050**T<sub>A</sub>=25°C

Symbol	Parameter	Test Conditions		Min.	Typ.	Max.	Unit
		V <sub>DD</sub>	Conditions				
V <sub>DET</sub>	Hi→Lo Detectable Voltage	--	--	4.850	5.0	5.150	V
V <sub>HYS</sub>	Hysteresis Width	--	--	0.02 V <sub>DET</sub>	0.05 V <sub>DET</sub>	0.1 V <sub>DET</sub>	%
I <sub>DD</sub>	Operating Current	6.0	No load	--	1.2	3	uA
V <sub>DD</sub>	Operating Voltage	--	--	1.5	--	15	V
I <sub>OL</sub>	Output Sink Current	4.8	V <sub>OUT</sub> =0.2V	4	8	--	mA
$\frac{\Delta V_{DET}}{\Delta T_A}$	Temperature Coefficient	--	0°C<T <sub>a</sub> <70°C	--	±0.6	--	mV/°C

MD7070		T <sub>A</sub> =25°C					
Symbol	Parameter	Test Conditions		Min.	Typ.	Max.	Unit
		V <sub>DD</sub>	Conditions				
V <sub>DET</sub>	Hi→Lo Detectable Voltage	--	--	6.790	7.0	7.210	V
V <sub>HYS</sub>	Hysteresis Width	--	--	0.02 V <sub>DET</sub>	0.05 V <sub>DET</sub>	0.07 V <sub>DET</sub>	%
I <sub>DD</sub>	Operating Current	8.0	No load	--	1.2	3	uA
V <sub>DD</sub>	Operating Voltage	--	--	1.0	--	15	V
I <sub>OL</sub>	Output Sink Current	6.7	V <sub>OUT</sub> =0.2V	5	8	--	mA
$\frac{\Delta V_{DET}}{\Delta T_A}$	Temperature Coefficient	--	0°C<T <sub>a</sub> <70°C	--	±0.8	--	mV/°C

**Functional Description**

The MD70XX series is a set of voltage detectors equipped with a high stability voltage reference which is connected to the negative input of a comparator---denoted as V<sub>REF</sub> in the following figure for NMOS output voltage detector. When the voltage drop to the positive input of the comparator (i.e,V<sub>B</sub>) is higher than V<sub>REF</sub>, V<sub>OUT</sub> goes high, M1 turns off, and V<sub>B</sub> is expressed as V<sub>BH</sub>=V<sub>DD</sub>×(RB+RC)/(RA+RB+RC). If V<sub>DD</sub> is decreased so that V<sub>B</sub> falls to a value less than V<sub>REF</sub>, the comparator output inverts from high to low, V<sub>OUT</sub> goes low, V<sub>C</sub> is high, M1 turns on, RC is bypassed, and V<sub>B</sub> becomes: V<sub>BL</sub>=V<sub>DD</sub>×RB/(RA+RB), which is less than V<sub>BH</sub>. By so doing, the comparator output will stay low to prevent the circuit from oscillating when V<sub>B</sub> ≈ V<sub>REF</sub>. If V<sub>DD</sub> falls below the minimum operating voltage, the output becomes undefined. When V<sub>DD</sub>

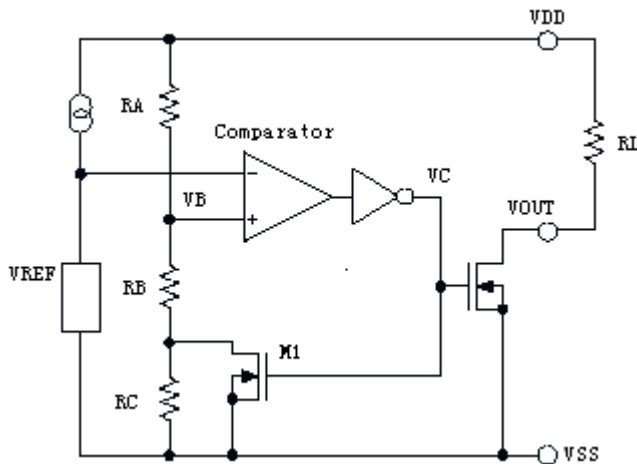
goes from low to V<sub>DD</sub>×RB/(RA+RB) > V<sub>REF</sub>, the comparator output and V<sub>OUT</sub> goes high. The detectable voltage is defined as:  

$$V_{DET(-)} = \frac{RA + RB + RC}{RB + RC} \times V_{REF}$$
 The release voltage is defined as:  

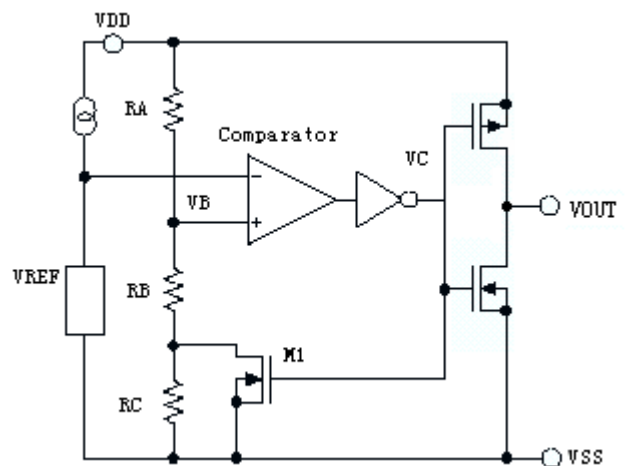
$$V_{DET(+)} = \frac{RA + RB}{RB} \times V_{REF}$$
 The hysteresis width is:  

$$V_{HYS} = V_{DET(+)} - V_{DET(-)}$$
 The figure demonstrates the NMOS output type with positive output polarity (V<sub>OUT</sub> is normally open, active low). The MD70XX series also supplies options for other output types with active high outputs. Application circuits shown are examples of positive output polarity (normally open, active low) unless otherwise specified.

NMOS output voltage detector



CMOS output voltage detector



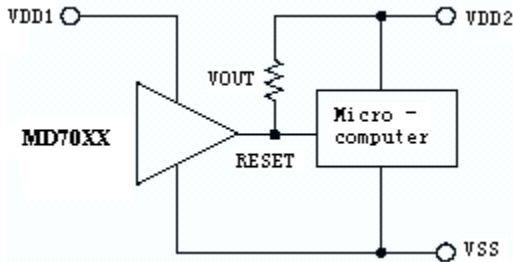


**Application Circuits**

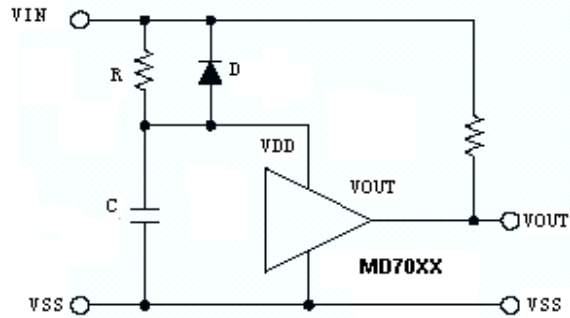
**Microcomputer reset circuit**

Normally a reset circuit is required to protect the microcomputer system from malfunctions due to power line interruptions. The following examples show how different output configurations perform a reset function in various systems.

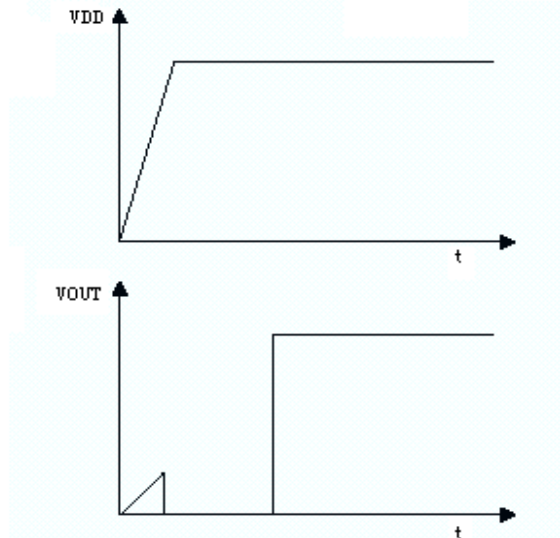
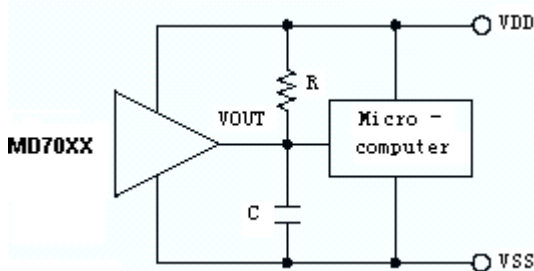
- NMOS open drain output application for separate power supply



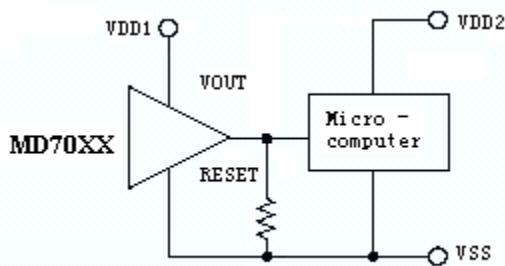
- Power-on reset circuit  
With several external components, the NMOS open drain type of the MD70XX series can be used to perform a power-on reset function as shown:



- NMOS open drain output application with R-C delay



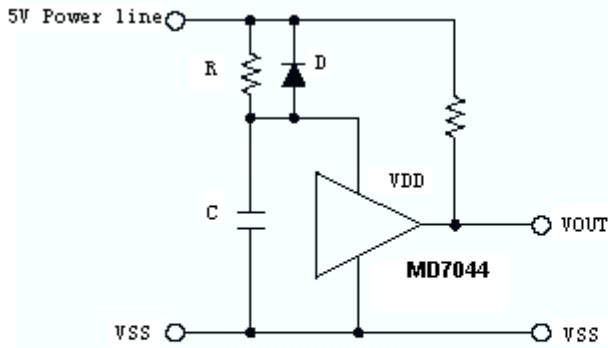
- PMOS open drain output application for separate power supply



## 5V power line monitoring circuit

Generally, a minimum operating voltage of 4.5V is guaranteed in a 5V power line system. The MD7044 is recommended for use as 5V power line monitoring circuit.

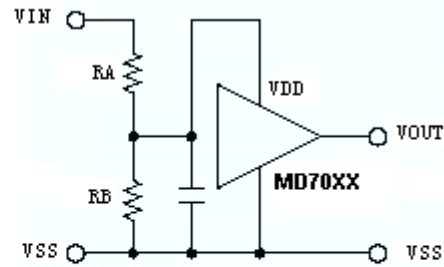
- 5V power line monitor with power-on reset



## Change of detectable voltage

If the required voltage is not found in the standard product selection table, it is possible to change it by using external resistance dividers or diodes.

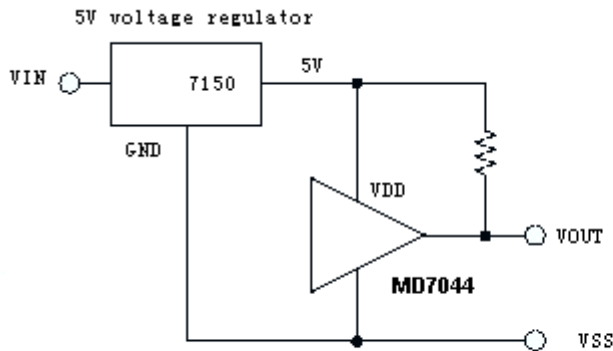
- Varying the detectable voltage with a resistance divider



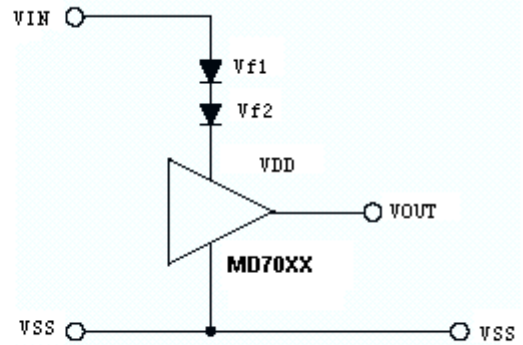
$$\text{Detectable voltage} = \frac{RA \times RB}{RB} \times V_{DET}$$

$$\text{Hysteresis width} = \frac{RA \times RB}{RB} \times V_{HYS}$$

- with 5V voltage regulator



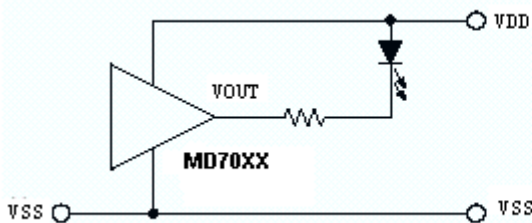
- Varying the detectable voltage with a diode



$$\text{Detectable Voltage} = V_{f1} + V_{f2} + V_{DET}$$

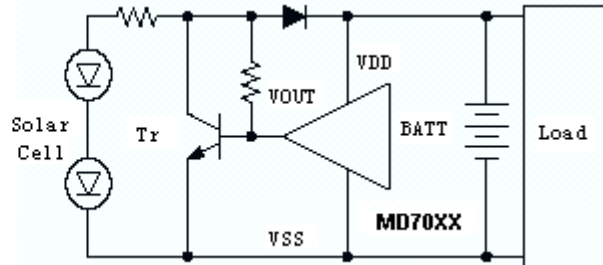
### Malfunction analysis

The following circuit demonstrates the way a circuit analyzes malfunctions by monitoring the variation or spike noise of power supply voltage.



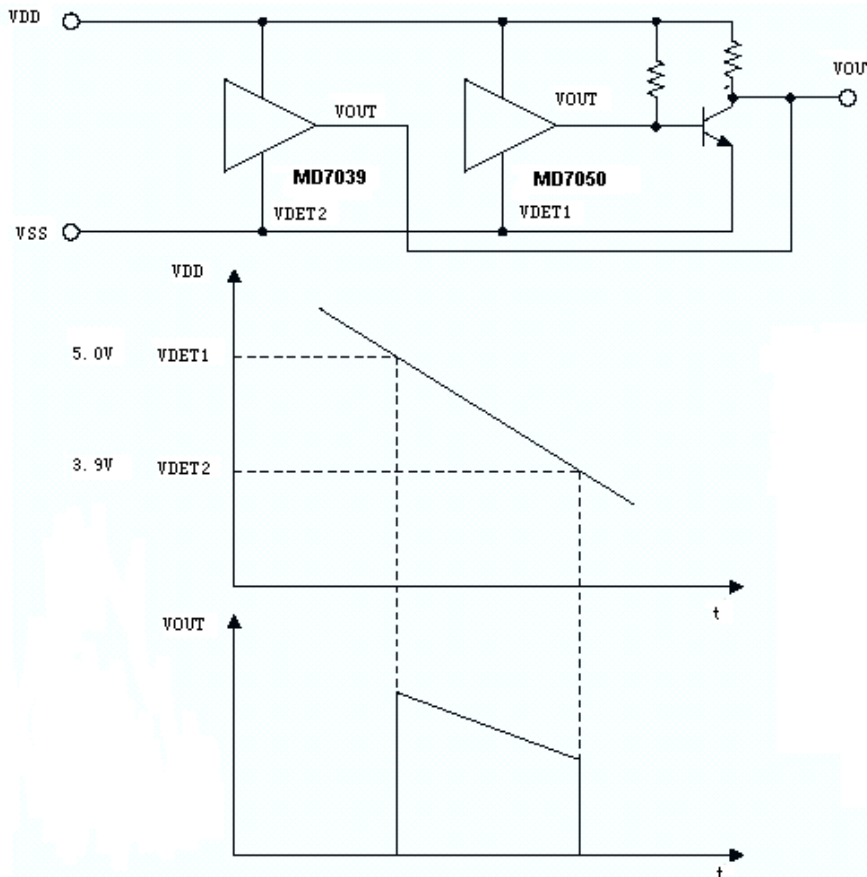
### Charge monitoring circuit

The following circuit shows a charged monitor for protection against battery deterioration by overcharging. When the voltage of the battery is higher than the set detectable voltage, the transistor turns on to bypass the charge current, protecting the battery from overcharging.



### Level selector

The following diagram illustrates a logic level selector.

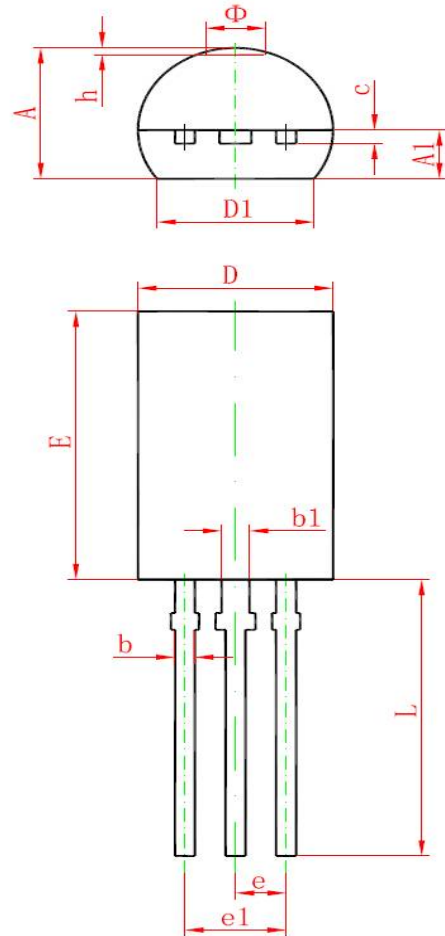


**Order Information**

MODEL	ORDER NUMBER	PACKAGE DESCRIPTION	PACKAGE OPTION
MD70XX	<b>“XX”express voltage , output default is NMOS Drain Output,,the model is MD70XXC express output type is CMOS,For example MD7033C the detection voltage 3.3V,output type COMS.</b>	SOT89-3	Tape and Reel, 1000
		TO-92	Tape and Bag, 1000
		SOT23-3	Tape and Reel, 3000
		SOT23-5	Tape and Reel, 3000
		SSOT-24	Tape and Reel, 3000

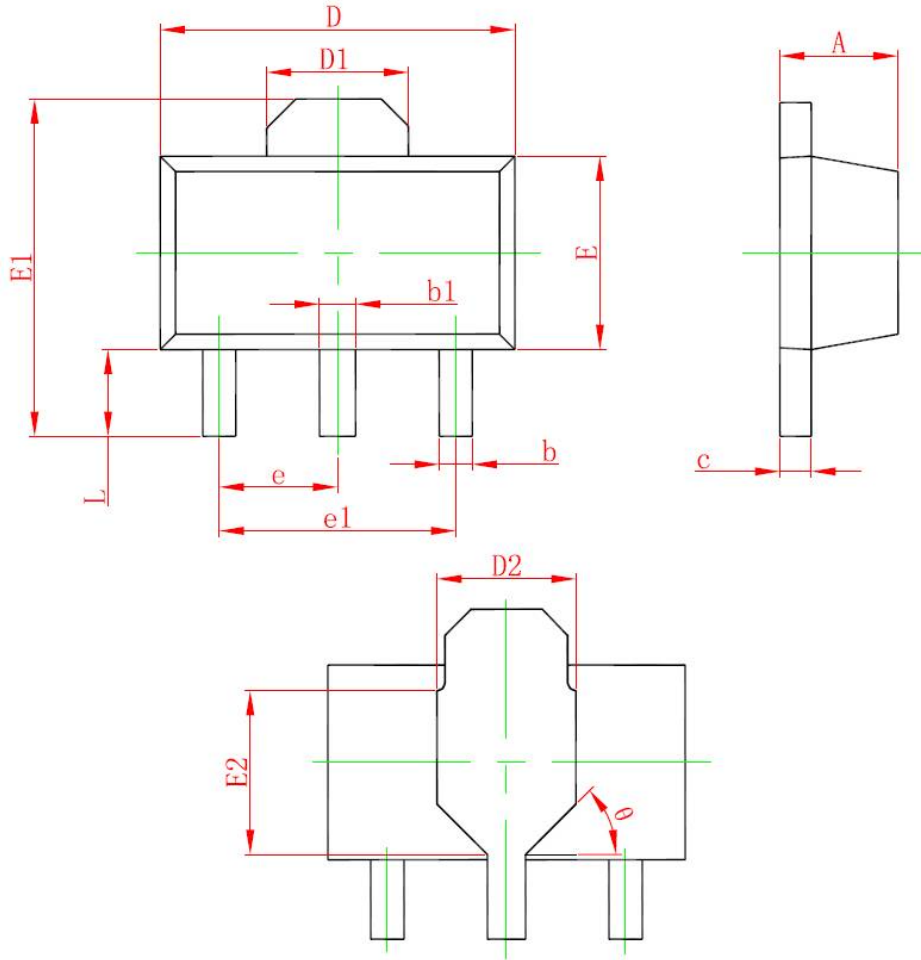
**Package Description**

TO92 package outline dimensions



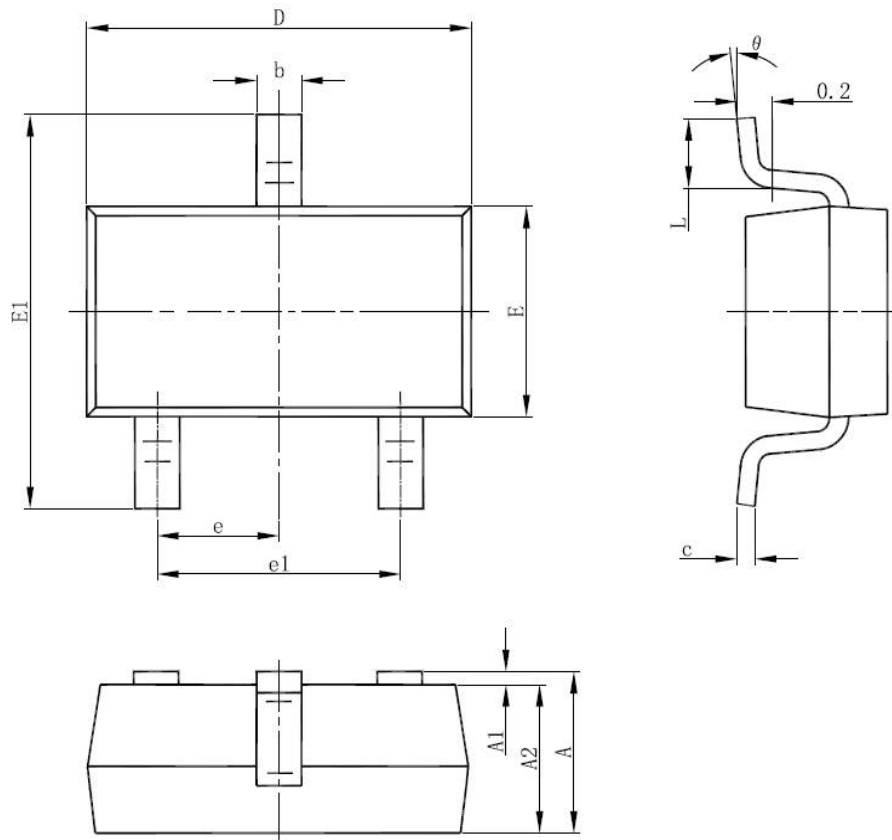
Symbol	Dimensions In Millimeters		Dimensions In Inches	
	Min.	Max.	Min.	Max.
A	3.750	4.050	0.148	0.159
A1	1.280	1.580	0.050	0.062
b	0.380	0.550	0.015	0.022
b1	0.620	0.780	0.024	0.031
c	0.350	0.450	0.014	0.018
D	4.750	5.050	0.187	0.199
D1	4.000		0.157	
E	7.850	8.150	0.309	0.321
e	1.270 TYP.		0.050 TYP.	
e1	2.440	2.640	0.096	0.104
L	13.800	14.200	0.543	0.559
$\Phi$		1.600		0.063
h	0.000	0.300	0.000	0.012

SOT89-3L package outline dimensions



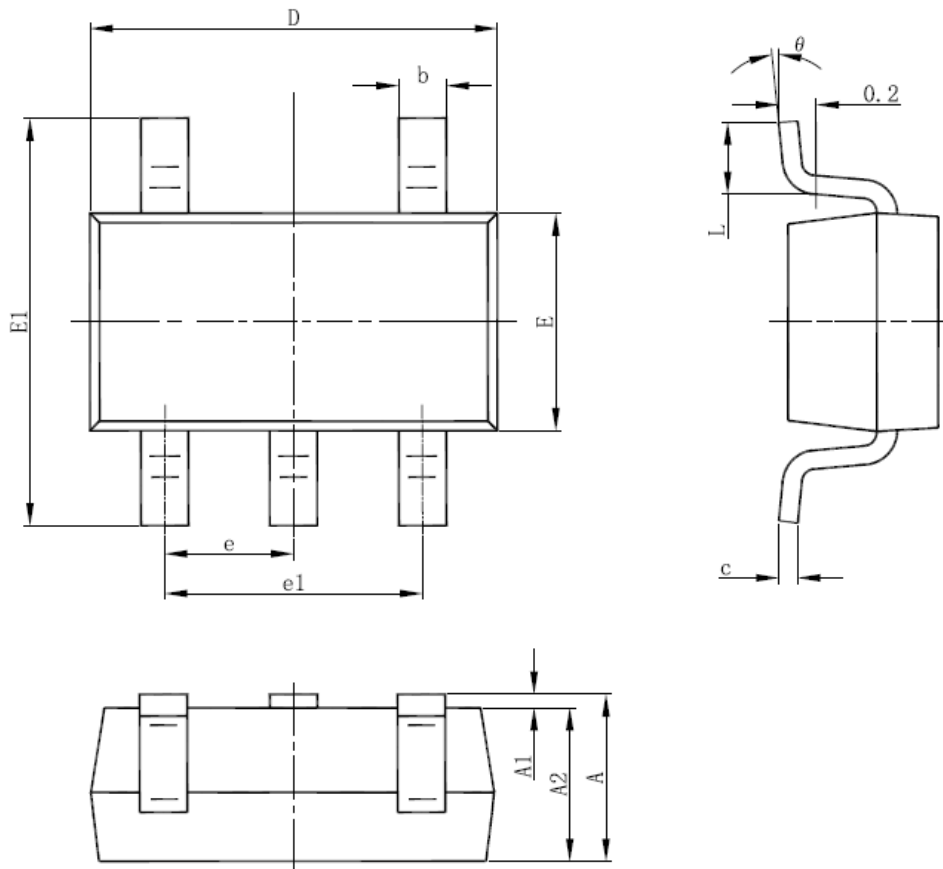
Symbol	Dimensions In Millimeters		Dimensions In Inches	
	Min.	Max.	Min.	Max.
A	1.400	1.600	0.055	0.063
b	0.320	0.520	0.013	0.020
b1	0.400	0.580	0.016	0.023
c	0.350	0.440	0.014	0.017
D	4.400	4.600	0.173	0.181
D1	1.550 REF.		0.061 REF.	
D2	1.750 REF.		0.069 REF.	
E	2.300	2.600	0.091	0.102
E1	3.940	4.250	0.155	0.167
E2	1.900 REF.		0.075 REF.	
e	1.500 TYP.		0.060 TYP.	
e1	3.000 TYP.		0.118 TYP.	
L	0.900	1.200	0.035	0.047
θ	45°		45°	

SOT23-3L package outline dimensions



Symbol	Dimensions In Millimeters		Dimensions In Inches	
	Min	Max	Min	Max
A	1.050	1.250	0.041	0.049
A1	0.000	0.100	0.000	0.004
A2	1.050	1.150	0.041	0.045
b	0.300	0.500	0.012	0.020
c	0.100	0.200	0.004	0.008
D	2.820	3.020	0.111	0.119
E	1.500	1.700	0.059	0.067
E1	2.650	2.950	0.104	0.116
e	0.950(BSC)		0.037(BSC)	
e1	1.800	2.000	0.071	0.079
L	0.300	0.600	0.012	0.024
$\theta$	0°	8°	0°	8°

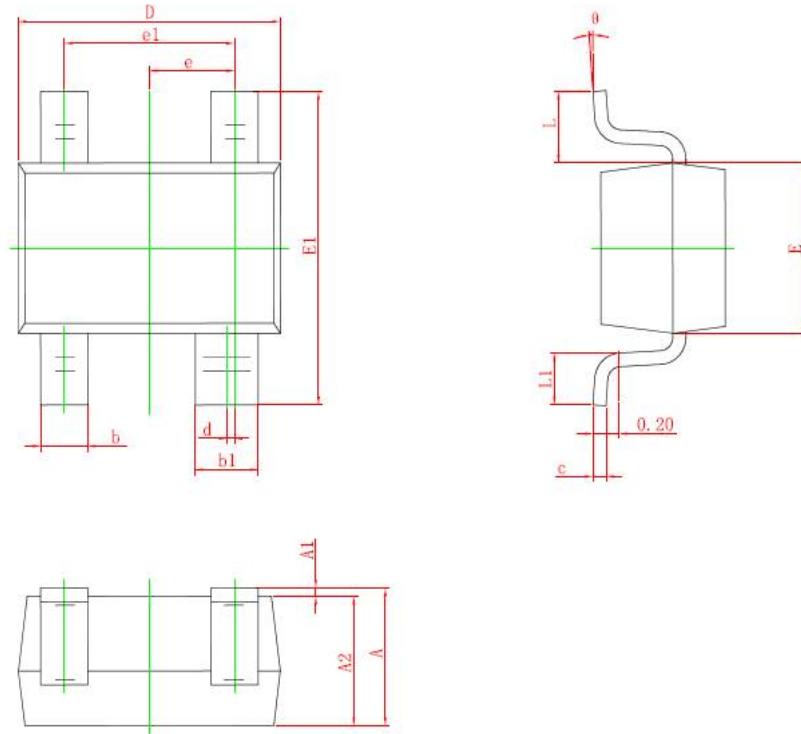
SOT-23-5L package outline dimensions



Symbol	Dimensions In Millimeters		Dimensions In Inches	
	Min	Max	Min	Max
A	1.050	1.250	0.041	0.049
A1	0.000	0.100	0.000	0.004
A2	1.050	1.150	0.041	0.045
b	0.300	0.500	0.012	0.020
c	0.100	0.200	0.004	0.008
D	2.820	3.020	0.111	0.119
E	1.500	1.700	0.059	0.067
E1	2.650	2.950	0.104	0.116
e	0.950(BSC)		0.037(BSC)	
e1	1.800	2.000	0.071	0.079
L	0.300	0.600	0.012	0.024
theta	0°	8°	0°	8°



SSOT-24 package outline dimensions



Symbol	Dimensions In Millimeters		Dimensions In Inches	
	Min.	Max.	Min.	Max.
A	0.900	1.100	0.035	0.043
A1	0.000	0.100	0.000	0.004
A2	0.900	1.000	0.035	0.039
b	0.250	0.400	0.010	0.016
b1	0.350	0.500	0.014	0.020
c	0.080	0.150	0.003	0.006
d	0.050 TYP.		0.002 TYP.	
D	2.000	2.200	0.079	0.087
E	1.150	1.350	0.045	0.053
E1	2.150	2.450	0.085	0.096
e	0.650 TYP.		0.026 TYP.	
e1	1.200	1.400	0.047	0.055
L	0.525 REF.		0.021 REF.	
L1	0.260	0.460	0.010	0.018
$\theta$	0°	8°	0°	8°

## X-ON Electronics

Largest Supplier of Electrical and Electronic Components

*Click to view similar products for [Supervisory Circuits](#) category:*

*Click to view products by [Mingda](#) manufacturer:*

Other Similar products are found below :

[NCP304LSQ40T1G](#) [CAT1161LI-25-G](#) [CAT853STBI-T3](#) [CAT1026LI-30-G](#) [CAT1320LI-25-G](#) [TC54VN2402EMB713](#) [MCP1316T-44NE/OT](#)  
[MCP1316MT-45GE/OT](#) [MCP1316MT-23LI/OT](#) [DS1232L](#) [NCV302HSN45T1G](#) [MCP1316T-23LI/OT](#) [PT7M6130NLTA3EX](#) [S-1000N28-I4T1U](#) [CAT1161LI-28-G](#) [MCP1321T-29AE/OT](#) [MCP1319MT-47QE/OT](#) [S-1000N23-I4T1U](#) [S-1000N19-I4T1U](#) [CAT824UTDI-GT3](#)  
[PT7M6133NLTA3EX](#) [PT7M6127NLTA3EX](#) [BD48L29G-TL](#) [BD48E23G-TR](#) [BD48E49G-TR](#) [BD48E52G-TR](#) [MIC1832MY](#)  
[MP6412GQGU-Z](#) [BD52W01G-CTR](#) [BD52W05G-CTR](#) [BD70H12G-2CTR](#) [XC61GN2502HR-G](#) [MB3793-37APNF-G-JN-ER6E1](#) [CPC5712U](#)  
[LTC693CSW](#) [TC1232EOE](#) [TC1270ALVRCTR](#) [TC1271MERCCTR](#) [TC32MEZB](#) [TC54VC4202EMB713](#) [TC54VN2102ECB713](#) [MB3793-27DPNF-G-JN-ERE1](#) [MCP100-475HI/TO](#) [MCP100-485DI/TO](#) [MCP101-460HI/TO](#) [MCP101-475HI/TO](#) [TCM809LVLB713](#)  
[TCM809SVLB713](#) [MCP102-315E/TO](#) [MCP111-475E/TO](#)