



MD7218 series is a high voltage (up to 15V) ultra-low quiescent current low dropout voltage regulator (LDO) manufactured in CMOS processes. It can deliver up to 1A of current while consuming only 1.6uA of quiescent current. It consists of a reference voltage generator, an error amplifier, a current foldback circuit, and a phase compensation circuit plus a driver transistor. The MD7218 series is designed specifically for applications where very-low  $I_Q$  is a critical parameter. This

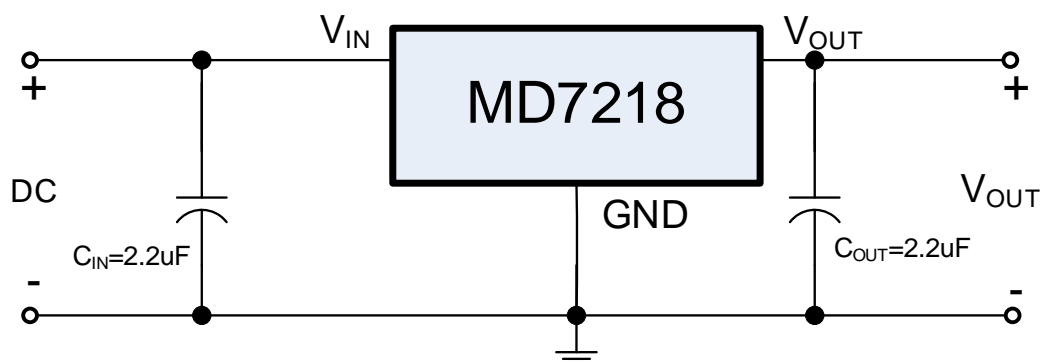
device maintains low quiescent current consumption even in dropout mode to further increase the battery life.

**■ Features:**

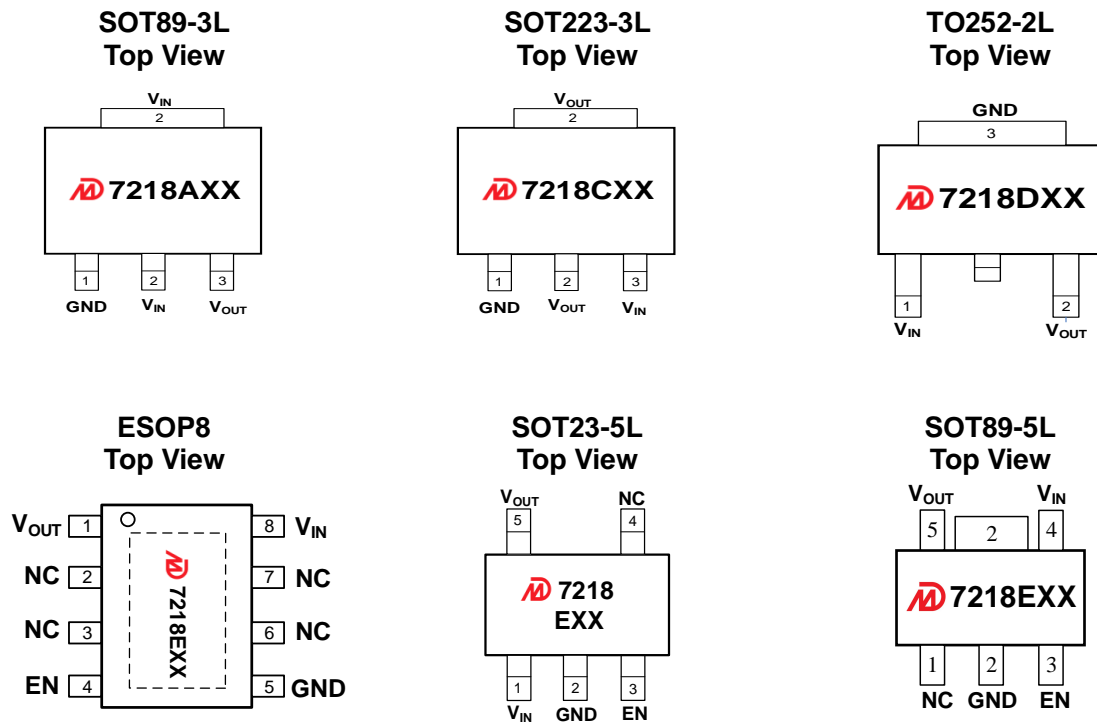
- Ultra-low Quiescent Current: 1.6uA
- Maximum Input Voltage: 15V
- Output Voltage Highly Accurate:  $\pm 2\%$
- Maximum Output Current: 1A
- Dropout Voltage: 650mV@ $I_{OUT}=1A$
- Temperature Stability:  $\pm 50\text{ppm}/^\circ\text{C}$
- Protections Circuits: Current Limiter, Short Circuit, Foldback, Thermal shutdown
- Output Capacitor: Low ESR Ceramic Capacitor Compatible

**■ Applications:**

- Smart wearer
- Long-life battery-powered devices
- Portable mobile devices, such as mobile phones, cameras, and so on
- Wireless communication equipment












**■ Typical Application:**

■ Pin Configuration (Top View):



■ Product Selections

Product Name	V <sub>OUT</sub> (V)	Package	Ordering Name	Marking	Package Information
MD7218A30	3.0	SOT89-3L	MD7218A30PA1	7218A30	Tape and Reel, 1000pcs
MD7218A33	3.3	SOT89-3L	MD7218A33PA1	7218A33	
MD7218A36	3.6	SOT89-3L	MD7218A36PA1	7218A36	
MD7218A38	3.8	SOT89-3L	MD7218A38PA1	7218A38	
MD7218A40	4.0	SOT89-3L	MD7218A40PA1	7218A40	
MD7218A50	5.0	SOT89-3L	MD7218A50PA1	7218A50	
MD7218AC0	12.0	SOT89-3L	MD7218AC0PA1	7218AC0	
MD7218E33	3.3	SOT89-5L	MD7218E33PC1	7218E33	Tape and Reel, 2500pcs
MD7218E36	3.6	SOT89-5L	MD7218E36PC1	7218E36	
MD7218E50	5.0	SOT89-5L	MD7218E50PC1	7218E50	
MD7218C30	3.0	SOT223-3L	MD7218C30YA2	7218C30	
MD7218C33	3.3	SOT223-3L	MD7218C33YA2	7218C33	
MD7218C36	3.6	SOT223-3L	MD7218C36YA2	7218C36	
MD7218C40	4.0	SOT223-3L	MD7218C40YA2	7218C40	
MD7218C50	5.0	SOT223-3L	MD7218C50YA2	7218C50	Tape and Reel, 2500pcs
MD7218CC0	12.0	SOT223-3L	MD7218CC0YA2	7218CC0	
MD7218D30	3.0	TO252-2L	MD7218D30UA2	7218D30	
MD7218D33	3.3	TO252-2L	MD7218D33UA2	7218D33	
MD7218D36	3.6	TO252-2L	MD7218D36UA2	7218D36	
MD7218D40	4.0	TO252-2L	MD7218D40UA2	7218D40	
MD7218D50	5.0	TO252-2L	MD7218D50UA2	7218D50	
MD7218D80	8.0	TO252-2L	MD7218D80UA2	7218D80	Tape and Reel, 2500pcs
MD7218DC0	12.0	TO252-2L	MD7218DC0UA2	7218DC0	

MD7218E30	3.0	ESOP8	MD7218E30SF4		Tape and Reel, 4000pcs
MD7218E33	3.3	ESOP8	MD7218E33SF4		
MD7218E36	3.6	ESOP8	MD7218E36SF4		
MD7218E40	4.0	ESOP8	MD7218E40SF4		
MD7218E50	5.0	ESOP8	MD7218E50SF4		
MD7218EC0	12.0	ESOP8	MD7218EC0SF4		
MD7218E30	3.0	SOT23-5L	MD7218E30QC3		Tape and Reel, 3000pcs
MD7218E33	3.3	SOT23-5L	MD7218E33QC3		
MD7218E36	3.6	SOT23-5L	MD7218E36QC3		
MD7218E40	4.0	SOT23-5L	MD7218E40QC3		
MD7218E50	5.0	SOT23-5L	MD7218E50QC3		

**Notes:**

1\* Customer can request to customize the output voltage ranged from 1.8V to 12V, if desired voltage is not found in the selections.

2\* Customer can request customization of package choice.

3\* Please pay attention to the MARKING of the product package type.

**■ Absolute Maximum Ratings (Unless otherwise indicated: T<sub>a</sub>=25°C)**

PARAMETER	SYMBOL	RATINGS		UNITS
Input Voltage	V <sub>IN</sub>	-0.3 ~ 15		V
Output Voltage	V <sub>OUT</sub>	V <sub>SS</sub> -0.3 ~ V <sub>IN</sub> +0.3V		
Power Dissipation	P <sub>D</sub>	SOT89-3L	1000	mW
		SOT89-5L	1000	
		SOT223-3L	1500	
		TO252-2L	1800	
		ESOP8	800	
		SOT23-5L	250	
Thermal Resistance	R <sub>θJB</sub> <sup>(1)</sup>	SOT89-3L	100	°C/W
		SOT89-5L	100	
		SOT223-3L	66	
		TO252-2L	55	
		ESOP8	80	
		SOT23-5L	180	
Operating Ambient Temperature	T <sub>opr</sub>	-40 ~ +85		°C
Storage Temperature	T <sub>stg</sub>	-40 ~ +125		
ESD Protection	ESD HBM	4000		V

**Note:** Stresses above those listed under “Absolute Maximum Ratings” may cause permanent damage to the device.

<sup>(1)</sup> Mounted on JEDEC standard 4layer (2s2p) PCB test board

**■ Electrical Characteristics:**

MD7218 Series (Unless otherwise indicated:  $T_a=25^\circ\text{C}$ )

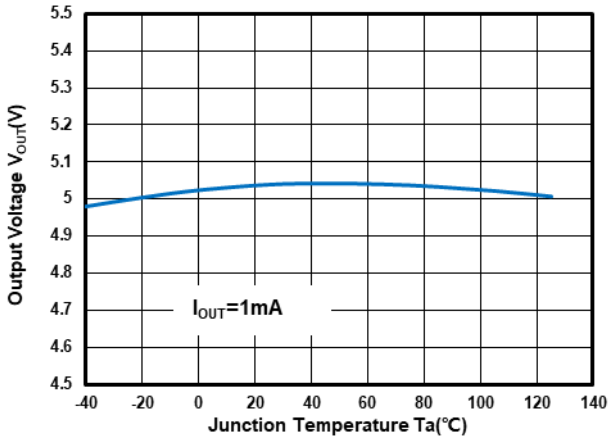
PARAMETER	SYMBOL	CONDITIONS		MIN.	TYP.	MAX.	UNIT
Output Voltage <sup>*1</sup>	$V_{OUT(S)}$	$V_{IN}=V_{OUT(S)}+2V, I_{OUT}=1mA$		$V_{OUT(S)} \times 0.98$	$V_{OUT(S)}$	$V_{OUT(S)} \times 1.02$	V
Dropout Voltage <sup>*2</sup>	$V_{DROP}$	$I_{OUT}=1mA$			4	8	mV
		$I_{OUT}=1A$			650	900	
Line Regulation	$\frac{\Delta V_{OUT}}{\Delta V_{IN} \cdot V_{OUT(S)}}$	$V_{OUT(S)}+2V \leq V_{IN} \leq 15V$ $I_{OUT}=1mA$			0.01	0.02	%/V
Load Regulation	$\Delta V_{OUT2}$	$V_{IN}=V_{OUT(S)}+2V$ $1mA \leq I_{OUT} \leq 1A$	$V_{OUT(S)} \leq 5.0V$		80		mV
			$V_{OUT(S)} > 5.0V$		90		
Temperature Stability	$\frac{\Delta V_{OUT}}{\Delta T_a \cdot V_{OUT(S)}}$	$V_{IN}=V_{OUT(S)}+2V, I_{OUT}=1mA$ $-40^\circ\text{C} \leq T_a \leq 125^\circ\text{C}$			$\pm 50$		ppm/ °C
GND Current	$I_{GND}$	no load	$V_{OUT(S)} \leq 5.0V$	1	1.6	2	$\mu\text{A}$
			$V_{OUT(S)} > 5.0V$	1.5	2.3	3	
		$I_{OUT}=100mA$				420	
Input Voltage	$V_{IN}$	---		2.2		18	V
Maximum Output Current	$I_{OUTMAX}$			1			A
Current Limit <sup>*3</sup>	$I_{LIM}$	$V_{IN}=V_{OUT(S)}+2V,$ $V_{OUT}=0.95 \times V_{OUT(S)}$			1.5		
Power Supply Rejection Ratio <sup>*4</sup>	PSRR	$f=10\text{Hz}, I_{OUT}=10mA$			71		dB
		$f=100\text{Hz}, I_{OUT}=10mA$			70		
		$f=1\text{kHz}, I_{OUT}=10mA$			51		
Short Circuit Current	$I_{SHORT}$	$V_{IN}=V_{OUT(S)}+2.0V$ $V_{OUT}=0V$			30		mA
Over Temperature Protection	OTP	$I_{OUT}=1mA$			150		°C

Notes:

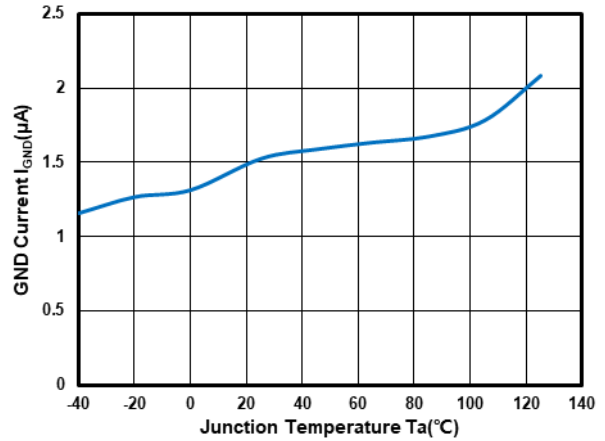
1.  $V_{OUT(S)}$ : Output voltage when  $V_{IN}=V_{OUT}+2V, I_{OUT}=1mA$ .
2.  $V_{DROP}=V_{IN1} - (V_{OUT(S)} \times 0.98)$  where  $V_{IN1}$  is the input voltage when  $V_{OUT} = V_{OUT(S)} \times 0.98$ .
3.  $I_{LIM}$ : Output current when  $V_{IN}=V_{OUT(S)}+2V$  and  $V_{OUT} = 0.95 \times V_{OUT(S)}$ .
4. PSRR was measured for  $V_{OUT(S)} = 5V$  and  $V_{IN} = 7V$ .

■ Typical Performance Characteristics:

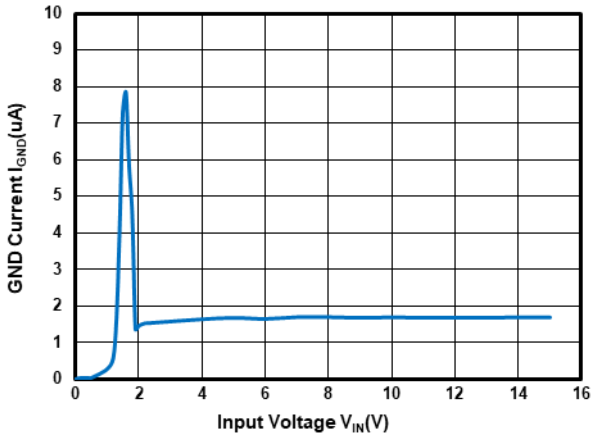
Test Conditions:  $V_{IN}=V_{OUT}+2.0V$ ,  $C_{IN}=2.2\mu F$ ,  $C_{OUT}=2.2\mu F$ , unless otherwise indicated.



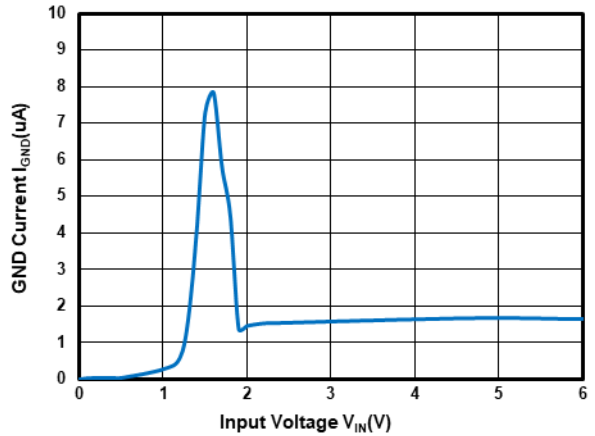
Output Voltage vs Temperature at  $V_{OUT}=5.0V$



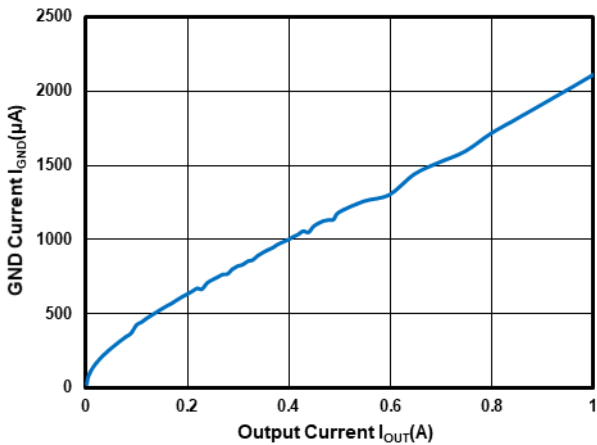
GND Current vs Temperature at  $V_{OUT}=5.0V$



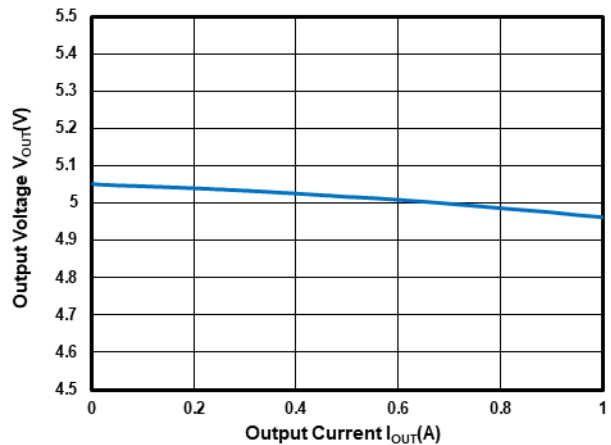
GND Current vs Input Voltage at  $V_{OUT}=5.0V$



GND Current vs Input Voltage at  $V_{OUT}=5.0V$



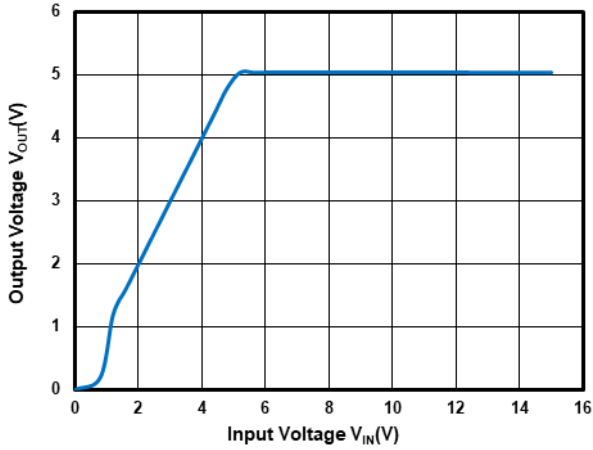
GND Current vs Output Current at  $V_{OUT}=5.0V$



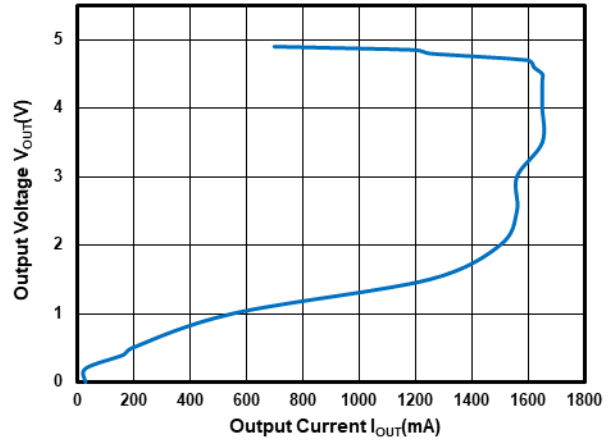
Output Voltage vs Output Current at  $V_{OUT}=5.0V$

■ Typical Performance Characteristics (Continued):

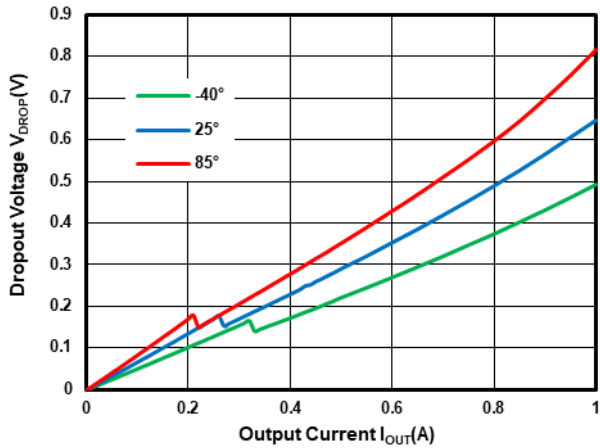
Test Conditions:  $V_{IN}=V_{OUT}+2.0V$ ,  $C_{IN}=2.2\mu F$ ,  $C_{OUT}=2.2\mu F$ , unless otherwise indicated.



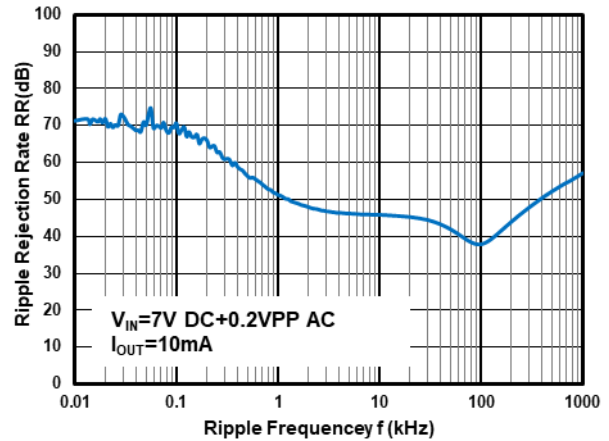
Output Voltage vs Input Voltage at  $V_{OUT}=5.0V$



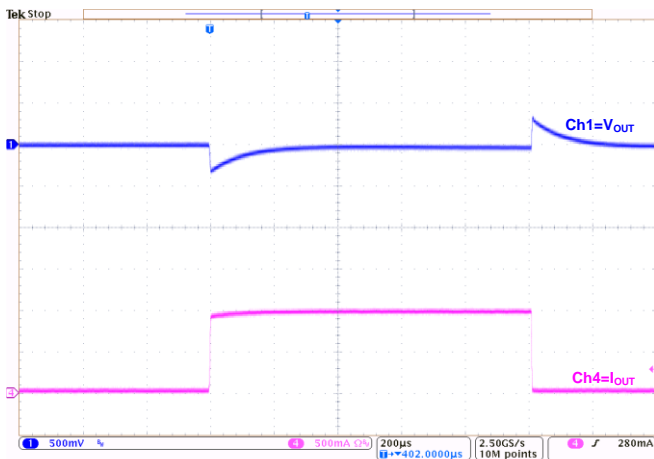
Output Current Fold-back at  $V_{OUT}=5.0V$



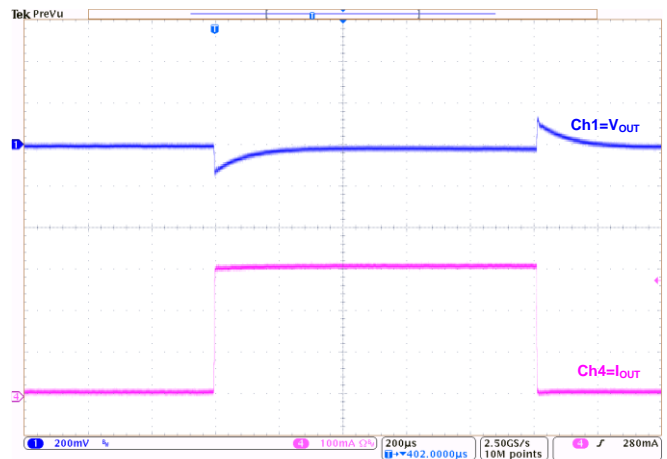
Dropout Voltage vs Temperature at  $V_{OUT}=5.0V$



Power Supply Rejection Ratio at  $V_{OUT}=5.0V$



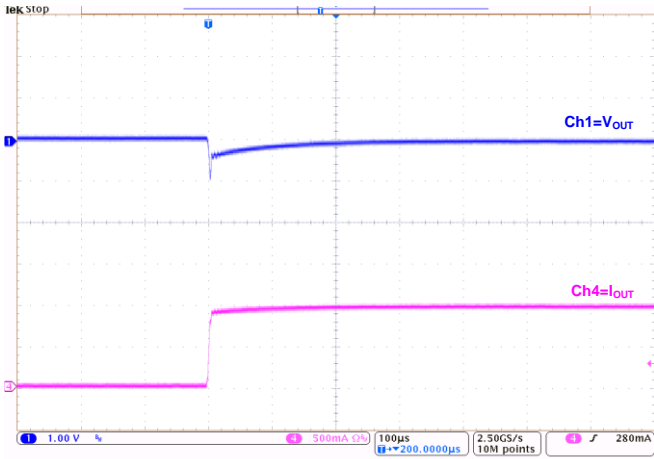
Load Transient at  $V_{OUT}=5.0V$   
( $I_{OUT}=1mA\sim 1A\sim 1mA$ )



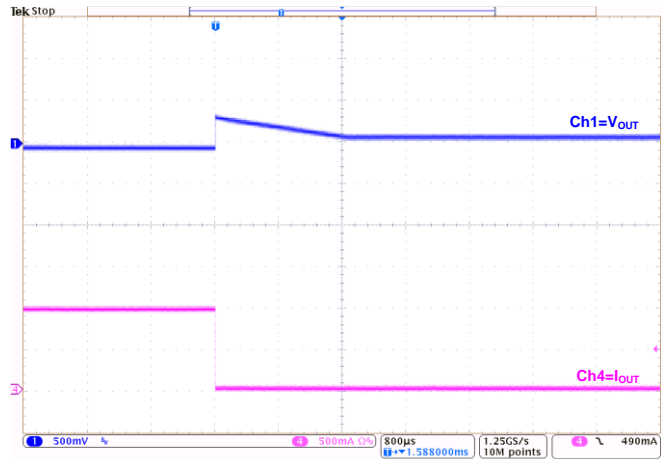
Load Transient at  $V_{OUT}=5.0V$   
( $I_{OUT}=1mA\sim 300mA\sim 1mA$ )

■ Typical Performance Characteristics (Continued):

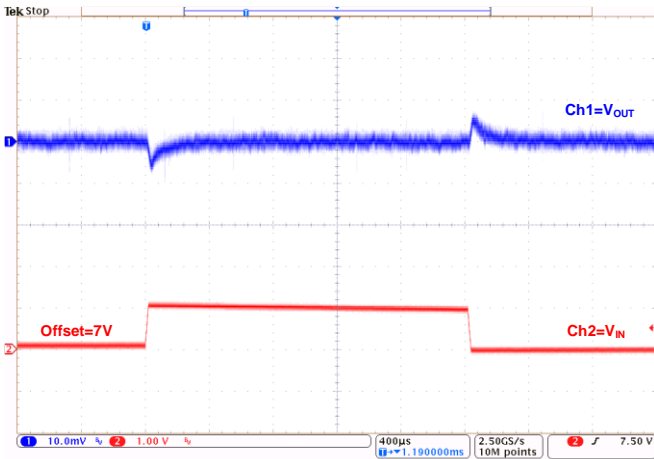
Test Conditions:  $V_{IN}=V_{OUT}+2.0V$ ,  $C_{IN}=2.2\mu F$ ,  $C_{OUT}=2.2\mu F$ , unless otherwise indicated.



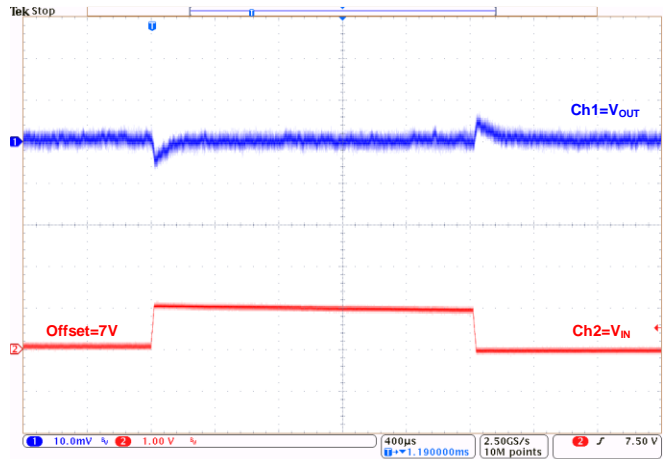
Load Transient at  $V_{OUT}=5.0V$   
( $I_{OUT}=0mA\sim 1A$ )



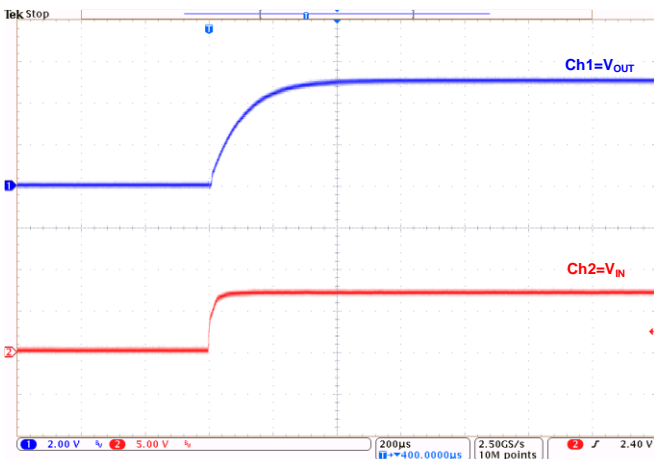
Load Transient at  $V_{OUT}=5.0V$   
( $I_{OUT}=1A\sim 0mA$ )



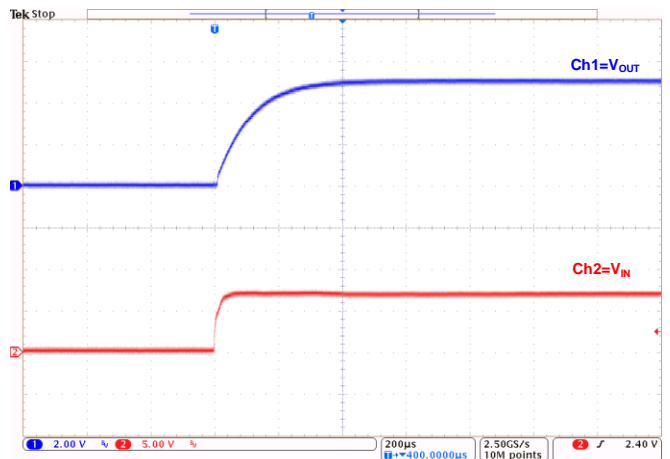
Line Transient at  $V_{OUT}=5.0V$   
( $I_{OUT}=1mA$ )



Line Transient at  $V_{OUT}=5.0V$   
( $I_{OUT}=10mA$ )



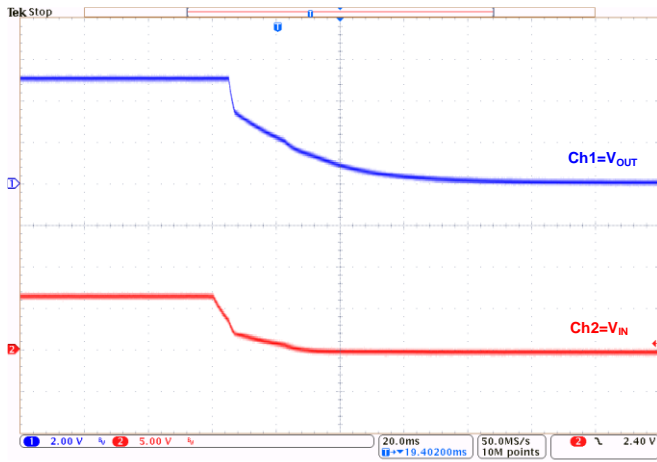
Power-Up at  $V_{OUT}=5.0V$ :  
( $I_{OUT}=1mA$ )



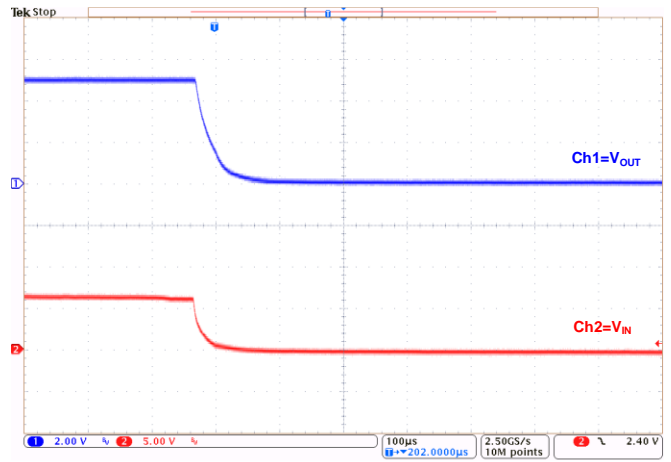
Power-Up at  $V_{OUT}=5.0V$ :  
( $I_{OUT}=1A$ )

■ Typical Performance Characteristics (Continued):

Test Conditions:  $V_{IN}=V_{OUT}+2.0V$ ,  $C_{IN}=2.2\mu F$ ,  $C_{OUT}=2.2\mu F$ , unless otherwise indicated.



Power-Down at  $V_{OUT}=5.0V$ :  
( $I_{OUT}=1mA$ )



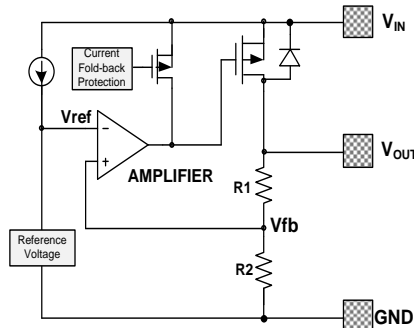
Power-Down at  $V_{OUT}=5.0V$ :  
( $I_{OUT}=1A$ )



## ■ Operational Explanation

### Output voltage control

The voltage divided by resistors R1 and R2 is compared with the internal reference voltage by the error amplifier. The amplifier output then drives the P-channel MOSFET connected to the  $V_{OUT}$  pin. The output voltage at the  $V_{OUT}$  pin is regulated by this negative feedback system. The current limit circuit and short protect circuit operate in relation to output current level.



### ■ Pass transistor

The pass transistor with low turn-on resistance used in MD7218 is a P-channel MOSFET. If the potential on  $V_{OUT}$  pin is higher than  $V_{IN}$ , it is possible that IC will be destroyed due to reverse current which is caused by parasitic diodes between  $V_{IN}$  and  $V_{OUT}$ . Therefore, the  $V_{OUT}$  pin potential exceeds  $V_{IN}+0.3V$  is not allowed.

### ■ Current limit, over temperature protection

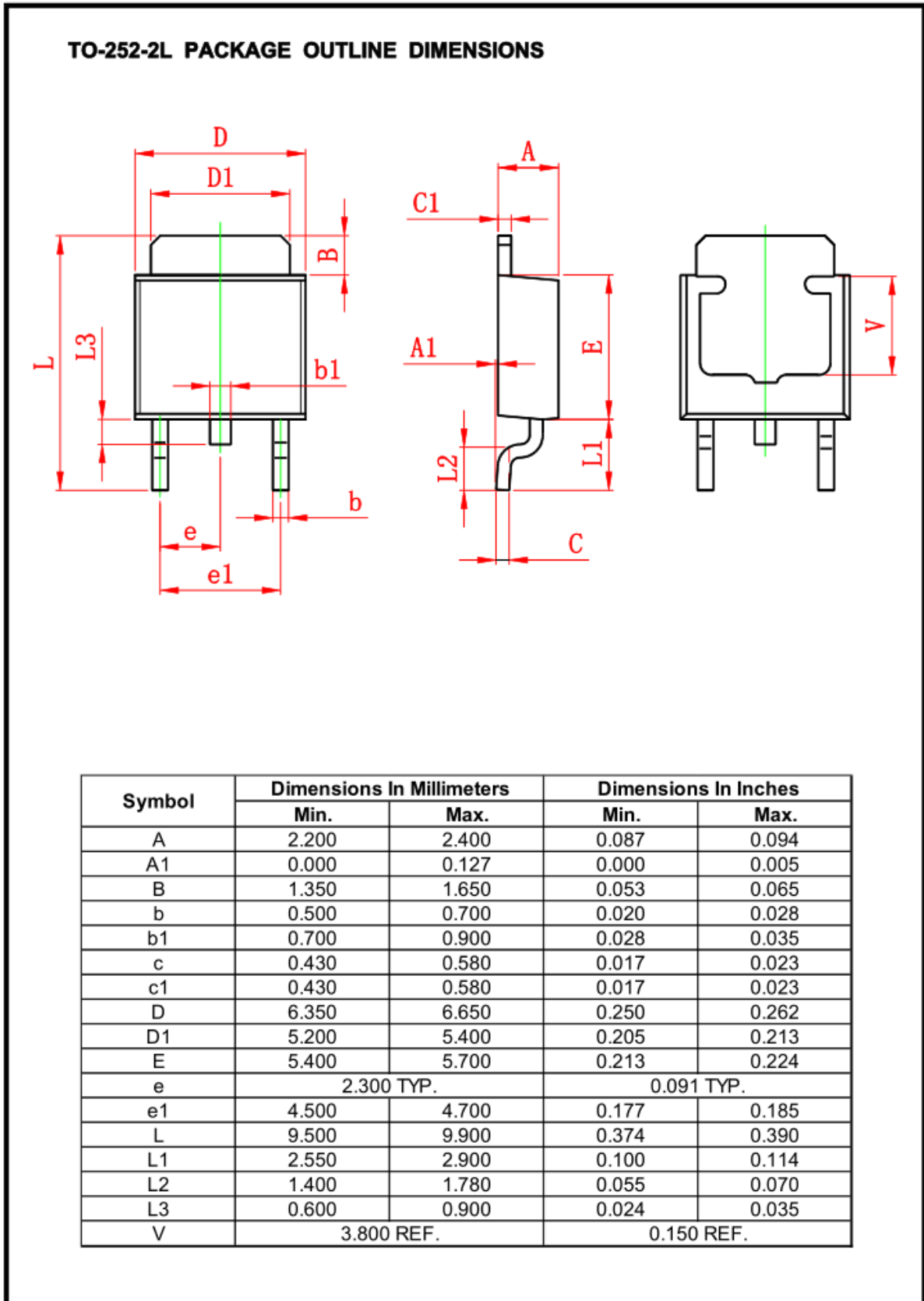
The MD7218 series includes a combination of a fixed current limiter circuit which aid the operations of the current limiter and circuit protection. When the load current reaches the current limit level, the fixed current limiter circuit operates and output voltage drops. As a result of this drop in output voltage, the foldback circuit operates, output voltage drops further and output current decreases.

Special attention should be paid to that the product of the dropout voltage on the chip and the output current must be smaller than the heat dissipation. If power consumption on the chip is more than the heat dissipation, OTP will protect the chip from damaging due to over temperature.

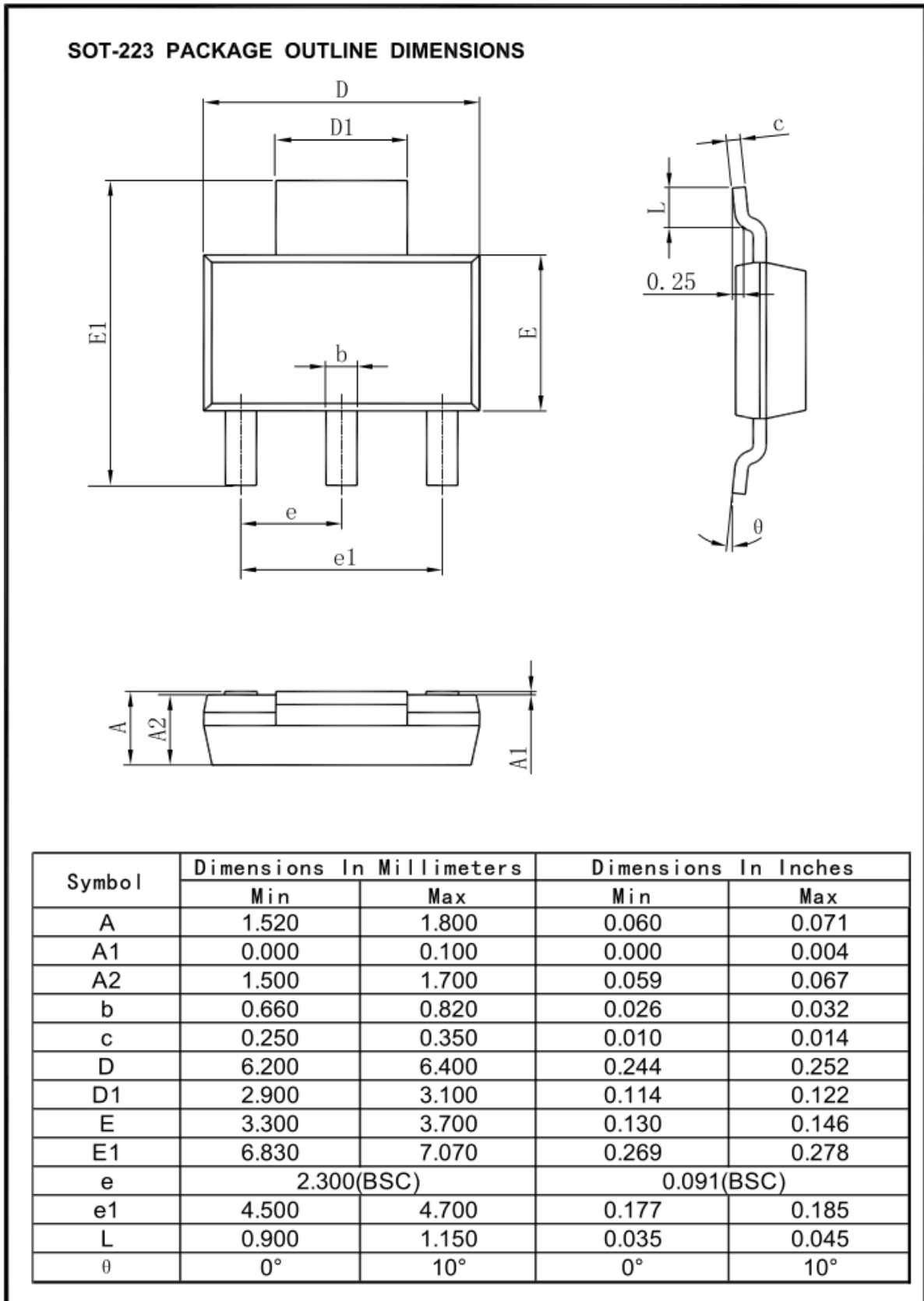
### ■ Notes:

1. The input and output capacitors should be placed as close as possible to the IC.
2. If the impedance of the power supply is high, which is caused by forgetting installing input capacitor or installing too small value capacitor, the oscillation may occur.
3. Pay attention to the operation conditions of input and output voltage and load current, such that the power consumption in the IC should not exceed the allowable power consumption of the package even though the chip has short circuit protection.
4. IC has a built-in anti-static protection (ESD) circuit, but please do not add excessive stress to the IC.

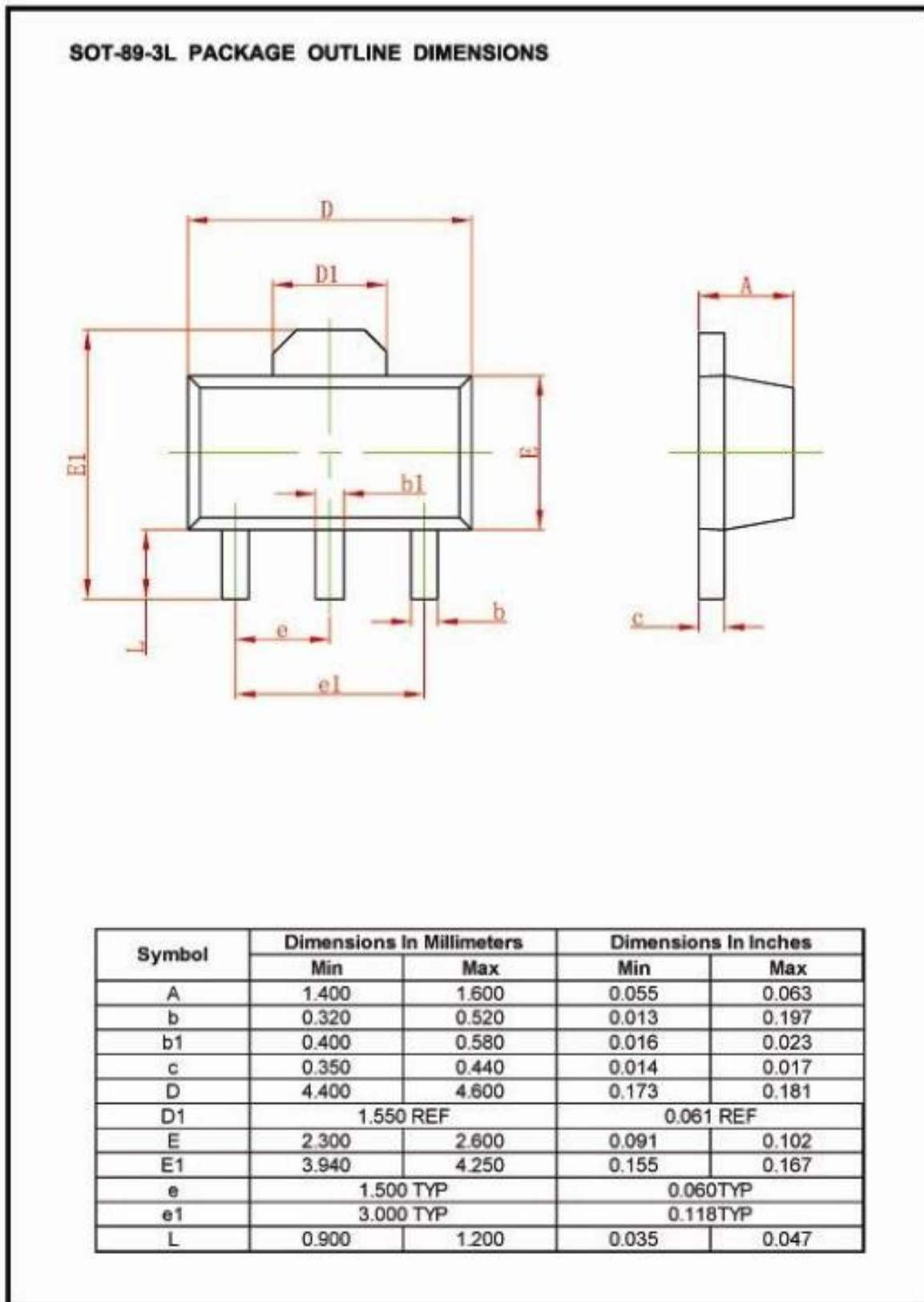
■ Packaging Information



■ Packaging Information (Continued)

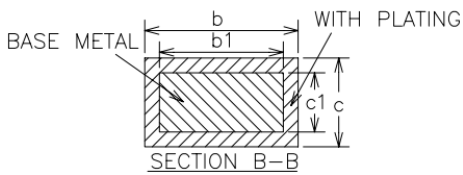
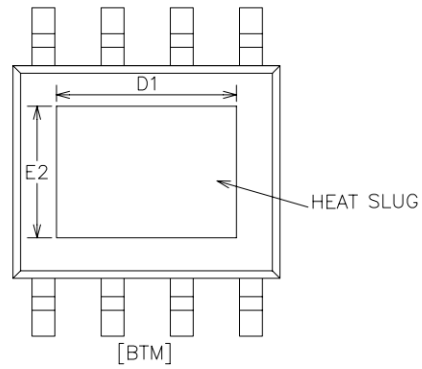
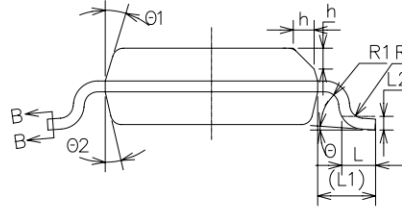
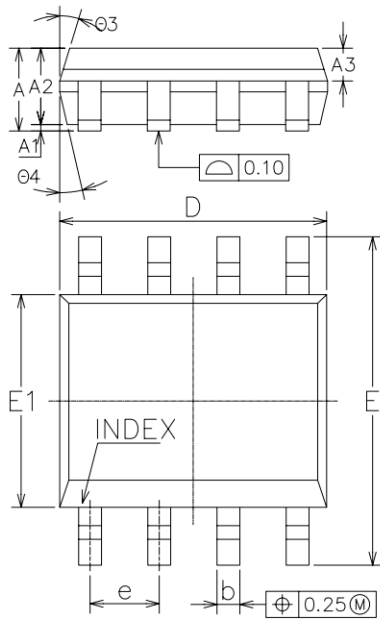


■ Packaging Information (Continued)



■ Packaging Information (Continued)

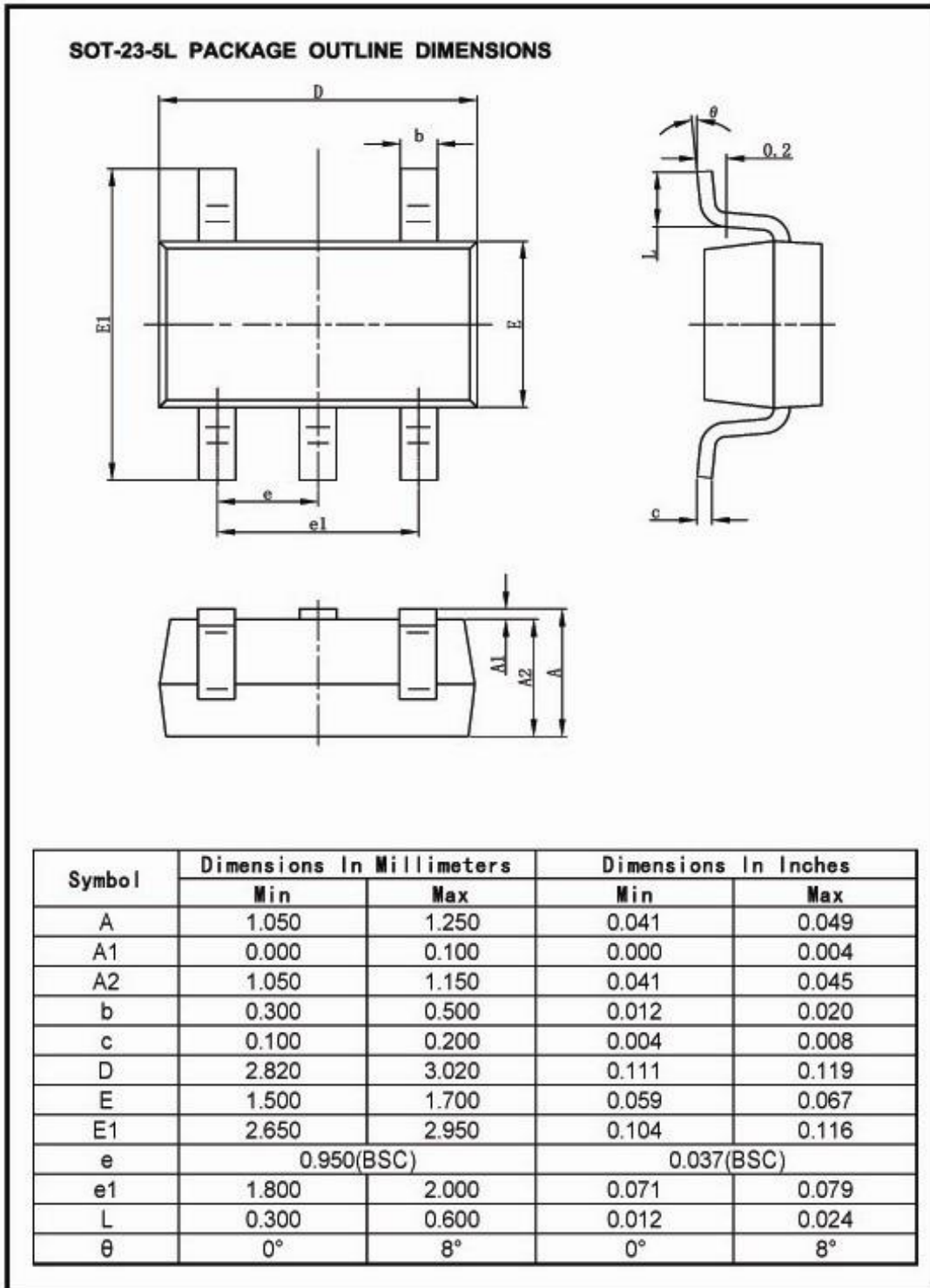
ESOP8 PACKAGE OUTLINE DIMENSIONS



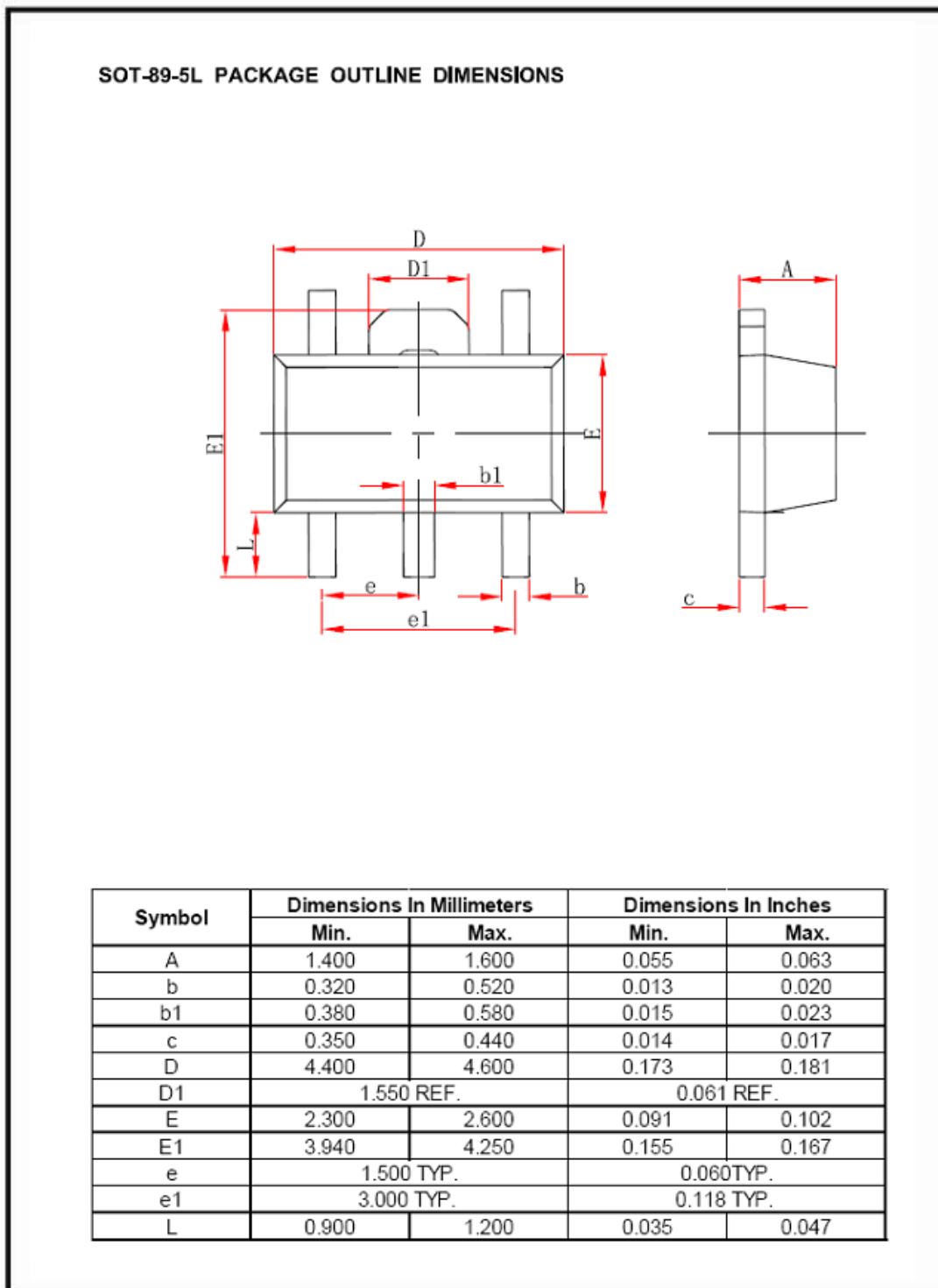
COMMON DIMENSIONS  
(UNITS OF MEASURE=MILLIMETER)

SYMBOL	MIN	NOM	MAX	
A	1.35	1.55	1.70	
A1	0	0.10	0.15	
A2	1.25	1.40	1.65	
A3	0.50	0.60	0.70	
b	0.38	-	0.51	
b1	0.37	0.42	0.47	
c	0.17	-	0.25	
c1	0.17	0.20	0.23	
D	4.80	4.90	5.00	
D1	Option 1	3.10	3.30	3.50
	Option 2	2.09	2.29	2.49
E	5.80	6.00	6.20	
E1	3.80	3.90	4.00	
E2	Option 1	2.20	2.40	2.60
	Option 2	2.09	2.29	2.49
e	1.17	1.27	1.37	
L	0.45	0.60	0.80	
L1	1.04REF			
L2	0.25BSC			
R	0.07	-	-	
R1	0.07	-	-	
h	0.30	0.40	0.50	
Ø	0'	-	8'	
Ø1	15'	17'	19'	
Ø2	11'	13'	15'	
Ø3	15'	17'	19'	
Ø4	11'	13'	15'	

■ Packaging Information (Continued)



■ Packaging Information (Continued)



For the newest datasheet, please see the website:

[www.md-ic.com.cn](http://www.md-ic.com.cn)

Version V1.0: 20201109

## X-ON Electronics

Largest Supplier of Electrical and Electronic Components

*Click to view similar products for [Linear Voltage Regulators](#) category:*

*Click to view products by [Mingda](#) manufacturer:*

Other Similar products are found below :

[LV5684PVD-XH](#) [MCDTSA6-2R](#) [L7815ACV-DG](#) [LV56801P-E](#) [UA7805CKC](#) [714954EB](#) [ZMR500QFTA](#) [BA033LBSG2-TR](#)

[NCV78M05ABDTRKG](#) [LV5680P-E](#) [L79M05T-E](#) [L78LR05D-MA-E](#) [NCV317MBTG](#) [NTE7227](#) [MP2018GZD-33-P](#) [MP2018GZD-5-P](#)

[LV5680NPVC-XH](#) [ZTS6538SE](#) [UA78L09CLP](#) [UA78L09CLPR](#) [CAT6221-PPTD-GT3](#) [MC78M09CDTRK](#) [NCV51190MNTAG](#)

[BL1118CS8TR1833](#) [BL8563CKETR18](#) [BL8077CKETR33](#) [BL9153-33CC3TR](#) [BL9161G-15BADRN](#) [BL9161G-28BADRN](#)

[BRCO7530MMC](#) [CJ7815B-TFN-ARG](#) [LM317C](#) [GM7333K](#) [GM7350K](#) [XC6206P332MR](#) [HT7533](#) [LM7912S/TR](#) [LT1764S/TR](#) [LM7805T](#)

[LM338T](#) [LM1117IMP-3.3/TR](#) [HT1117AM-3.3](#) [HT7550S](#) [AMS1117-3.3](#) [HT7150S](#) [78L12](#) [HT7550](#) [HT7533-1](#) [HXY6206I-2.5](#) [HT7133](#)