



MD7218 series is a high voltage (up to 15V) ultra-low quiescent current low dropout voltage regulator (LDO) manufactured in CMOS processes. It can deliver up to 1A of current while consuming only 1.6uA of quiescent current. It consists of a reference voltage generator, an error amplifier, a current foldback circuit, and a phase compensation circuit plus a driver transistor. The MD7218 series is designed specifically for applications where very-low I_Q is a critical parameter. This

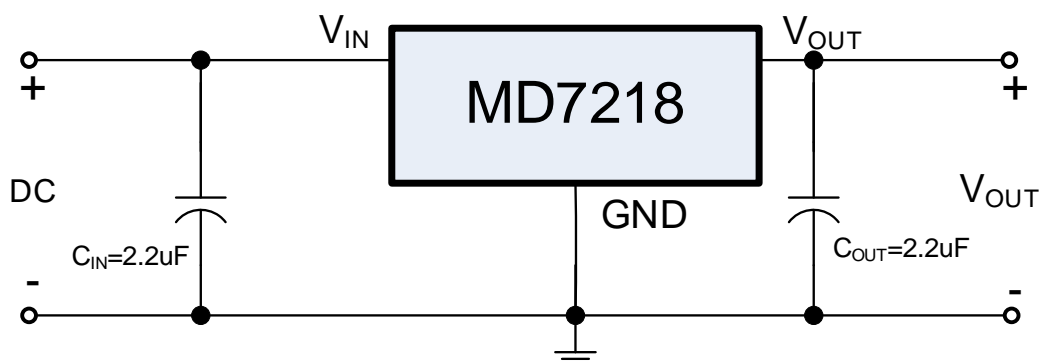
device maintains low quiescent current consumption even in dropout mode to further increase the battery life.

■ Features:

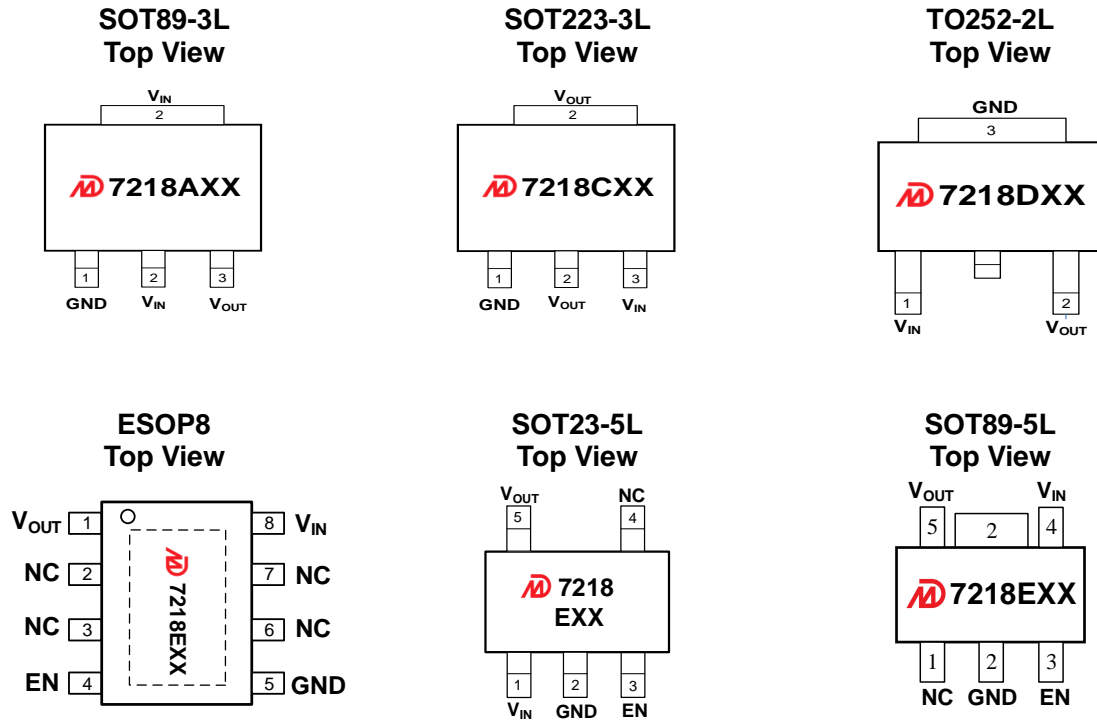
- Ultra-low Quiescent Current: 1.6uA
- Maximum Input Voltage: 15V
- Output Voltage Highly Accurate: $\pm 2\%$
- Maximum Output Current: 1A
- Dropout Voltage: 650mV@ $I_{OUT}=1A$
- Temperature Stability: $\pm 50\text{ppm}/^\circ\text{C}$
- Protections Circuits: Current Limiter, Short Circuit, Foldback, Thermal shutdown
- Output Capacitor: Low ESR Ceramic Capacitor Compatible

■ Applications:

- Smart wearer
- Long-life battery-powered devices
- Portable mobile devices, such as mobile phones, cameras, and so on
- Wireless communication equipment












■ Typical Application:

■ Pin Configuration (Top View):



■ Product Selections

| Product Name | V _{OUT} (V) | Package | Ordering Name | Marking | Package Information |
|--------------|----------------------|-----------|---------------|---------|---------------------------|
| MD7218A30 | 3.0 | SOT89-3L | MD7218A30PA1 | 7218A30 | Tape and Reel, 1000pcs |
| MD7218A33 | 3.3 | SOT89-3L | MD7218A33PA1 | 7218A33 | |
| MD7218A36 | 3.6 | SOT89-3L | MD7218A36PA1 | 7218A36 | |
| MD7218A38 | 3.8 | SOT89-3L | MD7218A38PA1 | 7218A38 | |
| MD7218A40 | 4.0 | SOT89-3L | MD7218A40PA1 | 7218A40 | |
| MD7218A50 | 5.0 | SOT89-3L | MD7218A50PA1 | 7218A50 | |
| MD7218AC0 | 12.0 | SOT89-3L | MD7218AC0PA1 | 7218AC0 | |
| MD7218E33 | 3.3 | SOT89-5L | MD7218E33PC1 | 7218E33 | Tape and Reel, 2500pcs |
| MD7218E36 | 3.6 | SOT89-5L | MD7218E36PC1 | 7218E36 | |
| MD7218E50 | 5.0 | SOT89-5L | MD7218E50PC1 | 7218E50 | |
| MD7218C30 | 3.0 | SOT223-3L | MD7218C30YA2 | 7218C30 | |
| MD7218C33 | 3.3 | SOT223-3L | MD7218C33YA2 | 7218C33 | |
| MD7218C36 | 3.6 | SOT223-3L | MD7218C36YA2 | 7218C36 | |
| MD7218C40 | 4.0 | SOT223-3L | MD7218C40YA2 | 7218C40 | |
| MD7218C50 | 5.0 | SOT223-3L | MD7218C50YA2 | 7218C50 | Tape and Reel, 2500pcs |
| MD7218CC0 | 12.0 | SOT223-3L | MD7218CC0YA2 | 7218CC0 | |
| MD7218D30 | 3.0 | TO252-2L | MD7218D30UA2 | 7218D30 | |
| MD7218D33 | 3.3 | TO252-2L | MD7218D33UA2 | 7218D33 | |
| MD7218D36 | 3.6 | TO252-2L | MD7218D36UA2 | 7218D36 | |
| MD7218D40 | 4.0 | TO252-2L | MD7218D40UA2 | 7218D40 | |
| MD7218D50 | 5.0 | TO252-2L | MD7218D50UA2 | 7218D50 | |
| MD7218D80 | 8.0 | TO252-2L | MD7218D80UA2 | 7218D80 | Tape and Reel, 2500pcs |
| MD7218DC0 | 12.0 | TO252-2L | MD7218DC0UA2 | 7218DC0 | |

| | | | | | |
|-----------|------|----------|--------------|--|---------------------------|
| MD7218E30 | 3.0 | ESOP8 | MD7218E30SF4 |  | Tape and Reel, 4000pcs |
| MD7218E33 | 3.3 | ESOP8 | MD7218E33SF4 |  | |
| MD7218E36 | 3.6 | ESOP8 | MD7218E36SF4 |  | |
| MD7218E40 | 4.0 | ESOP8 | MD7218E40SF4 |  | |
| MD7218E50 | 5.0 | ESOP8 | MD7218E50SF4 |  | |
| MD7218EC0 | 12.0 | ESOP8 | MD7218EC0SF4 |  | Tape and Reel, 3000pcs |
| MD7218E30 | 3.0 | SOT23-5L | MD7218E30QC3 |  | |
| MD7218E33 | 3.3 | SOT23-5L | MD7218E33QC3 |  | |
| MD7218E36 | 3.6 | SOT23-5L | MD7218E36QC3 |  | |
| MD7218E40 | 4.0 | SOT23-5L | MD7218E40QC3 |  | |
| MD7218E50 | 5.0 | SOT23-5L | MD7218E50QC3 |  | |

Notes:

1* Customer can request to customize the output voltage ranged from 1.8V to 12V, if desired voltage is not found in the selections.

2* Customer can request customization of package choice.

3* Please pay attention to the MARKING of the product package type.

■ Absolute Maximum Ratings (Unless otherwise indicated: T_a=25°C)

| PARAMETER | SYMBOL | RATINGS | | UNITS |
|-------------------------------|---------------------------------|--|------|-------|
| Input Voltage | V _{IN} | -0.3 ~ 15 | | V |
| Output Voltage | V _{OUT} | V _{SS} -0.3 ~ V _{IN} +0.3V | | |
| Power Dissipation | P _D | SOT89-3L | 1000 | mW |
| | | SOT89-5L | 1000 | |
| | | SOT223-3L | 1500 | |
| | | TO252-2L | 1800 | |
| | | ESOP8 | 800 | |
| | | SOT23-5L | 250 | |
| Thermal Resistance | R _{θJB} ⁽¹⁾ | SOT89-3L | 100 | °C/W |
| | | SOT89-5L | 100 | |
| | | SOT223-3L | 66 | |
| | | TO252-2L | 55 | |
| | | ESOP8 | 80 | |
| | | SOT23-5L | 180 | |
| Operating Ambient Temperature | T _{opr} | -40 ~ +85 | | °C |
| Storage Temperature | T _{stg} | -40 ~ +125 | | |
| ESD Protection | ESD HBM | 4000 | | V |

Note: Stresses above those listed under “Absolute Maximum Ratings” may cause permanent damage to the device.

⁽¹⁾ Mounted on JEDEC standard 4layer (2s2p) PCB test board

■ Electrical Characteristics:

MD7218 Series (Unless otherwise indicated: $T_a=25^\circ\text{C}$)

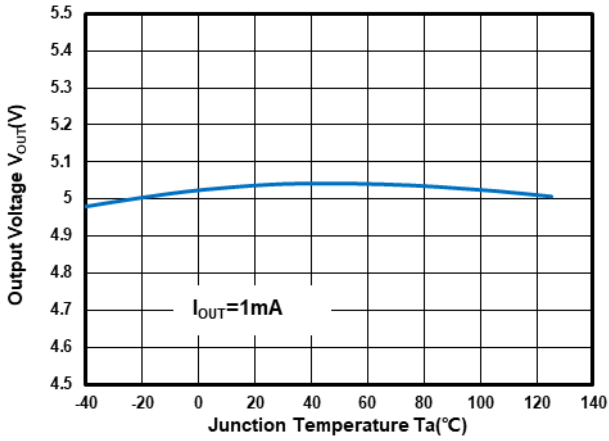
| PARAMETER | SYMBOL | CONDITIONS | | MIN. | TYP. | MAX. | UNIT |
|--|---|--|------------------------|--------------------------|--------------|--------------------------|---------------|
| Output Voltage ^{*1} | $V_{OUT(S)}$ | $V_{IN}=V_{OUT(S)}+2V, I_{OUT}=1mA$ | | $V_{OUT(S)} \times 0.98$ | $V_{OUT(S)}$ | $V_{OUT(S)} \times 1.02$ | V |
| Dropout Voltage ^{*2} | V_{DROP} | $I_{OUT}=1mA$ | | | 4 | 8 | mV |
| | | $I_{OUT}=1A$ | | | 650 | 900 | |
| Line Regulation | $\frac{\Delta V_{OUT}}{\Delta V_{IN} \cdot V_{OUT(S)}}$ | $V_{OUT(S)}+2V \leq V_{IN} \leq 15V$ $I_{OUT}=1mA$ | | | 0.01 | 0.02 | %/V |
| Load Regulation | ΔV_{OUT2} | $V_{IN}=V_{OUT(S)}+2V$ $1mA \leq I_{OUT} \leq 1A$ | $V_{OUT(S)} \leq 5.0V$ | | 80 | | mV |
| | | | $V_{OUT(S)} > 5.0V$ | | 90 | | |
| Temperature Stability | $\frac{\Delta V_{OUT}}{\Delta T_a \cdot V_{OUT(S)}}$ | $V_{IN}=V_{OUT(S)}+2V, I_{OUT}=1mA$ $-40^\circ\text{C} \leq T_a \leq 125^\circ\text{C}$ | | | ± 50 | | ppm/ °C |
| GND Current | I_{GND} | no load | $V_{OUT(S)} \leq 5.0V$ | 1 | 1.6 | 2 | μA |
| | | | $V_{OUT(S)} > 5.0V$ | 1.5 | 2.3 | 3 | |
| | | $I_{OUT}=100mA$ | | | | 420 | |
| Input Voltage | V_{IN} | --- | | 2.2 | | 18 | V |
| Maximum Output Current | I_{OUTMAX} | | | 1 | | | A |
| Current Limit ^{*3} | I_{LIM} | $V_{IN}=V_{OUT(S)}+2V,$ $V_{OUT}=0.95 \times V_{OUT(S)}$ | | | 1.5 | | |
| Power Supply Rejection Ratio ^{*4} | PSRR | $f=10\text{Hz}, I_{OUT}=10\text{mA}$ | | | 71 | | dB |
| | | $f=100\text{Hz}, I_{OUT}=10\text{mA}$ | | | 70 | | |
| | | $f=1\text{kHz}, I_{OUT}=10\text{mA}$ | | | 51 | | |
| Short Circuit Current | I_{SHORT} | $V_{IN}=V_{OUT(S)}+2.0V$ $V_{OUT}=0V$ | | | 30 | | mA |
| Over Temperature Protection | OTP | $I_{OUT}=1mA$ | | | 150 | | °C |

Notes:

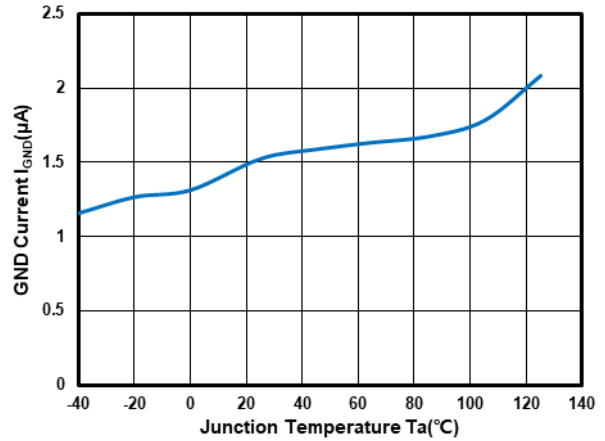
- $V_{OUT(S)}$: Output voltage when $V_{IN}=V_{OUT}+2V, I_{OUT}=1\text{ mA}$.
- $V_{DROP}=V_{IN1} - (V_{OUT(S)} \times 0.98)$ where V_{IN1} is the input voltage when $V_{OUT} = V_{OUT(S)} \times 0.98$.
- I_{LIM} : Output current when $V_{IN}=V_{OUT(S)}+2V$ and $V_{OUT} = 0.95 \times V_{OUT(S)}$.
- PSRR was measured for $V_{OUT(S)} = 5V$ and $V_{IN} = 7V$.

■ Typical Performance Characteristics:

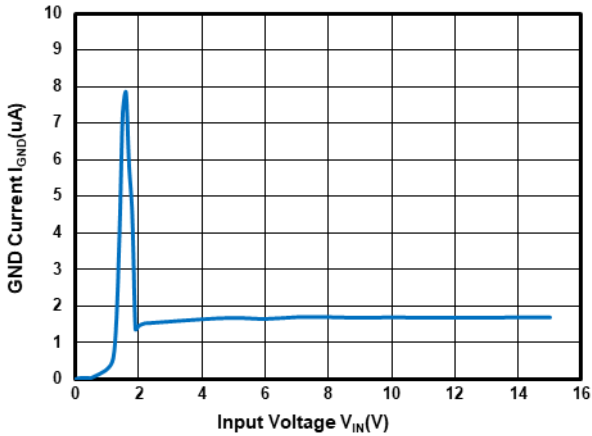
Test Conditions: $V_{IN}=V_{OUT}+2.0V$, $C_{IN}=2.2\mu F$, $C_{OUT}=2.2\mu F$, unless otherwise indicated.



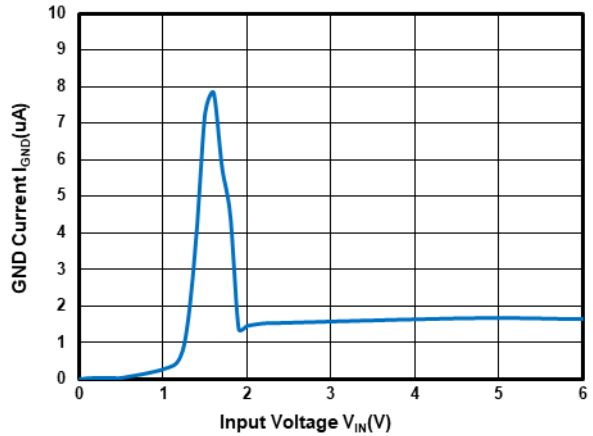
Output Voltage vs Temperature at $V_{OUT}=5.0V$



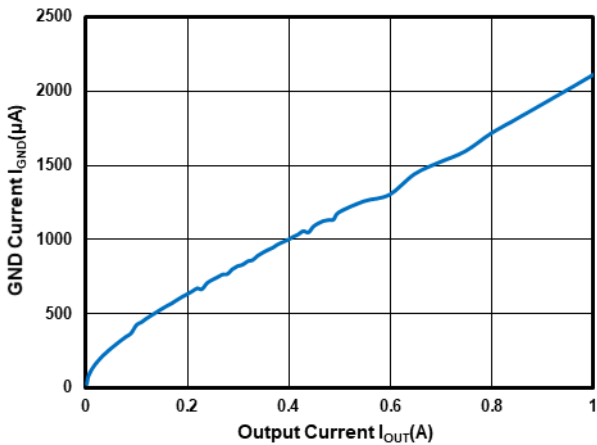
GND Current vs Temperature at $V_{OUT}=5.0V$



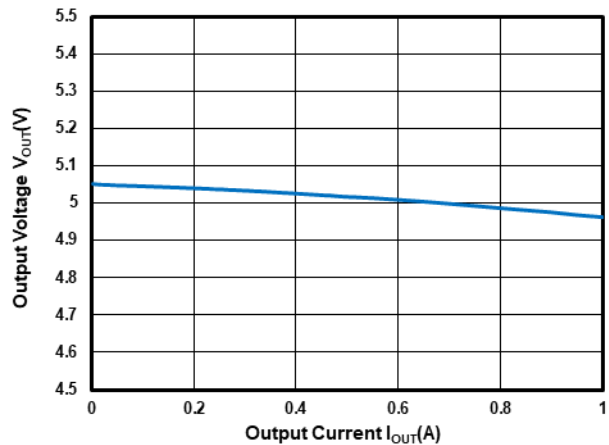
GND Current vs Input Voltage at $V_{OUT}=5.0V$



GND Current vs Input Voltage at $V_{OUT}=5.0V$



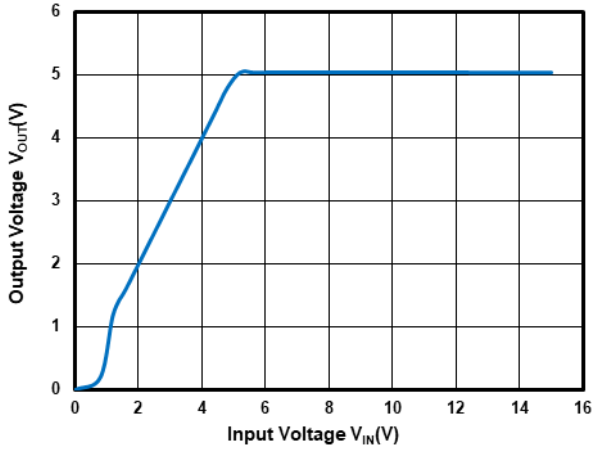
GND Current vs Output Current at $V_{OUT}=5.0V$



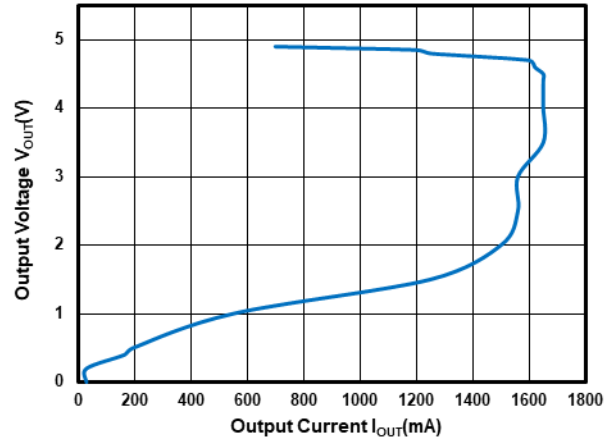
Output Voltage vs Output Current at $V_{OUT}=5.0V$

■ Typical Performance Characteristics (Continued):

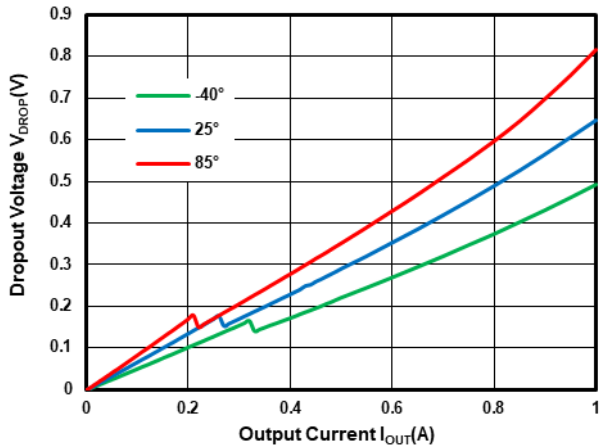
Test Conditions: $V_{IN}=V_{OUT}+2.0V$, $C_{IN}=2.2\mu F$, $C_{OUT}=2.2\mu F$, unless otherwise indicated.



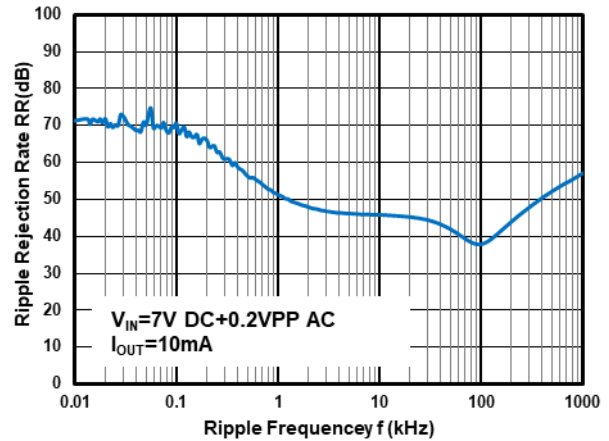
Output Voltage vs Input Voltage at $V_{OUT}=5.0V$



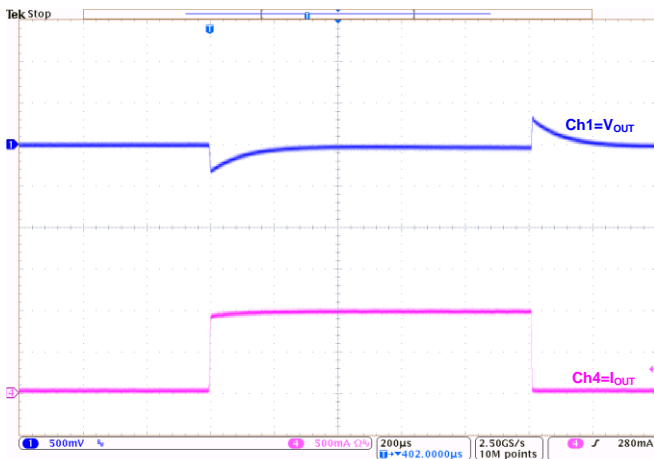
Output Current Fold-back at $V_{OUT}=5.0V$



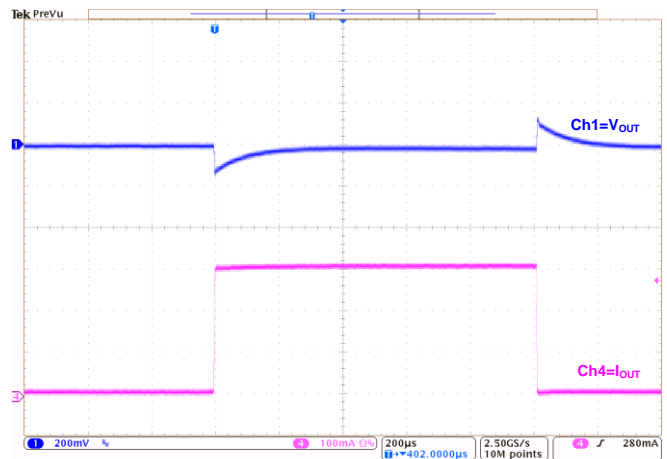
Dropout Voltage vs Temperature at $V_{OUT}=5.0V$



Power Supply Rejection Ratio at $V_{OUT}=5.0V$



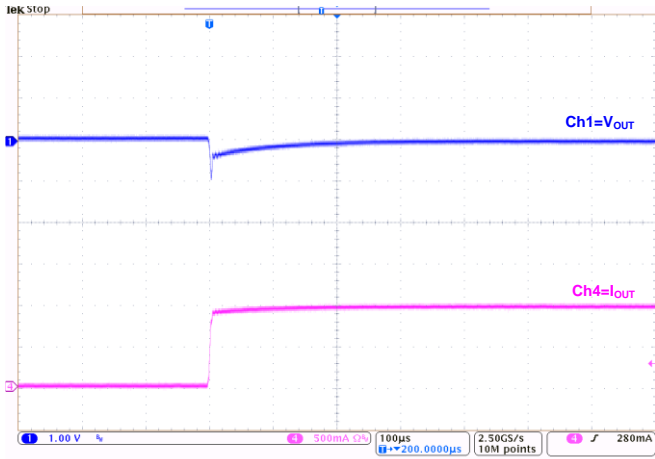
Load Transient at $V_{OUT}=5.0V$
($I_{OUT}=1mA \sim 1A \sim 1mA$)



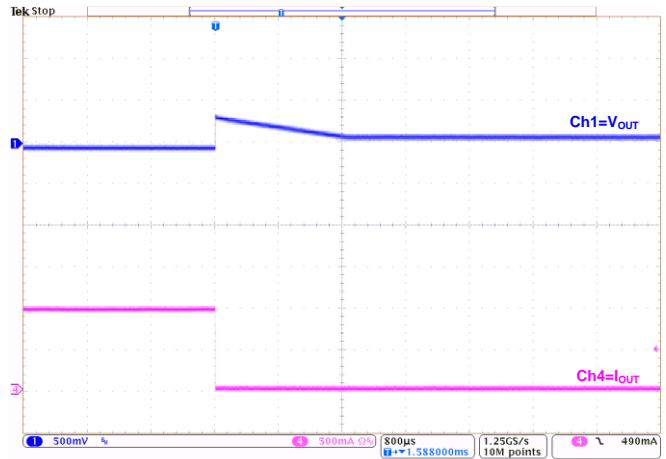
Load Transient at $V_{OUT}=5.0V$
($I_{OUT}=1mA \sim 300mA \sim 1mA$)

■ Typical Performance Characteristics (Continued):

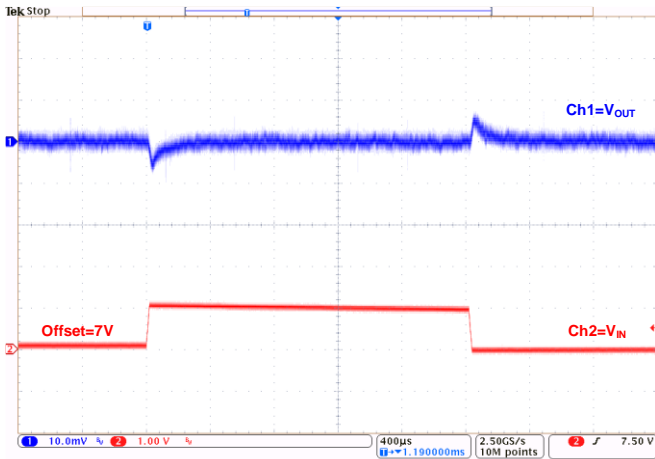
Test Conditions: $V_{IN}=V_{OUT}+2.0V$, $C_{IN}=2.2\mu F$, $C_{OUT}=2.2\mu F$, unless otherwise indicated.



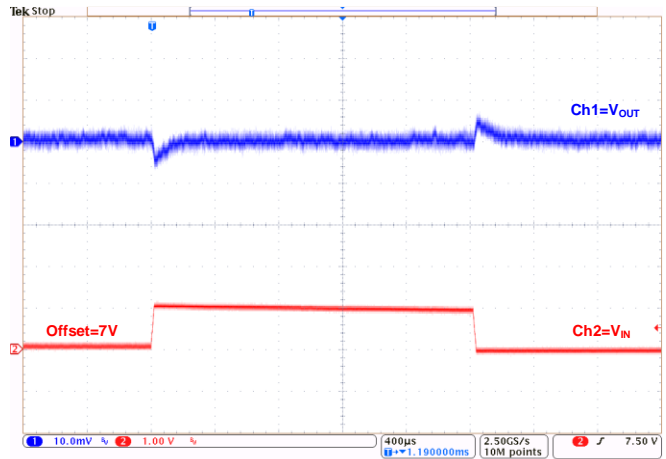
Load Transient at $V_{OUT}=5.0V$
($I_{OUT}=0mA\sim 1A$)



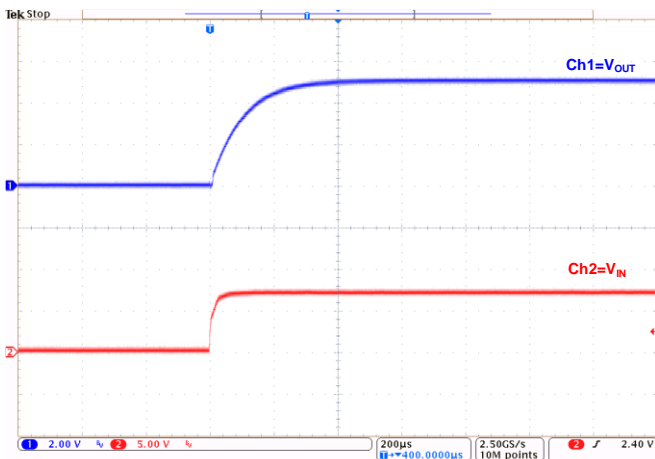
Load Transient at $V_{OUT}=5.0V$
($I_{OUT}=1A\sim 0mA$)



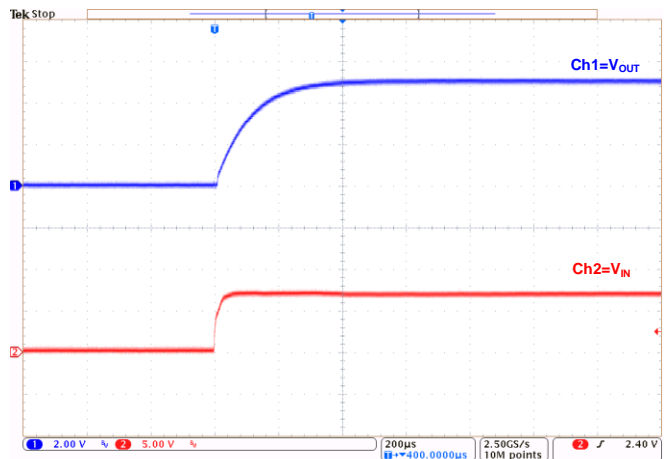
Line Transient at $V_{OUT}=5.0V$
($I_{OUT}=1mA$)



Line Transient at $V_{OUT}=5.0V$
($I_{OUT}=10mA$)



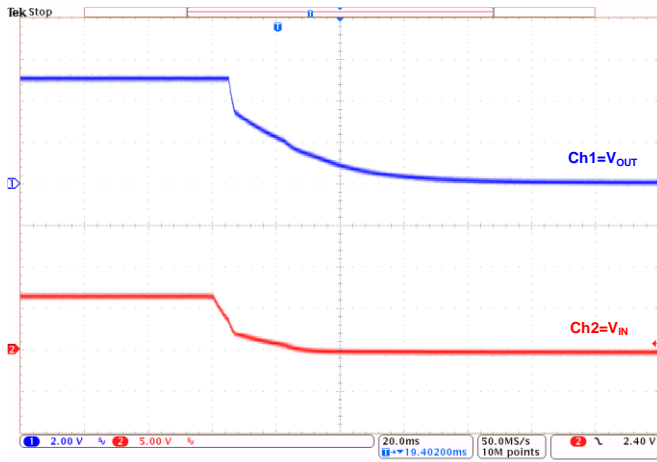
Power-Up at $V_{OUT}=5.0V$:
($I_{OUT}=1mA$)



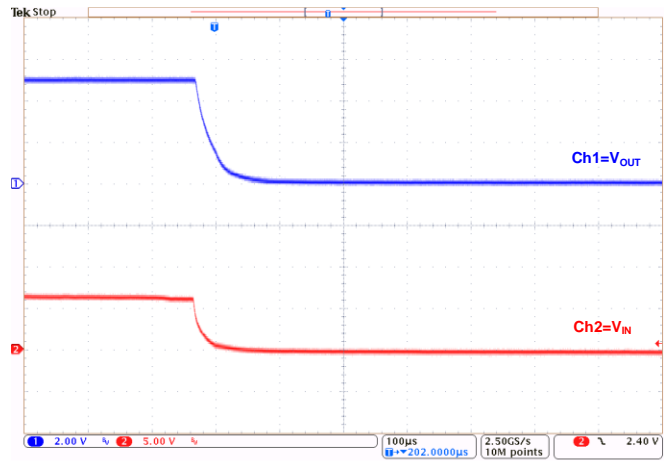
Power-Up at $V_{OUT}=5.0V$:
($I_{OUT}=1A$)

■ Typical Performance Characteristics (Continued):

Test Conditions: $V_{IN}=V_{OUT}+2.0V$, $C_{IN}=2.2\mu F$, $C_{OUT}=2.2\mu F$, unless otherwise indicated.



Power-Down at $V_{OUT}=5.0V$:
($I_{OUT}=1mA$)

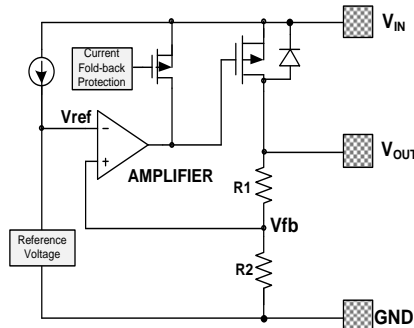


Power-Down at $V_{OUT}=5.0V$:
($I_{OUT}=1A$)

■ Operational Explanation

Output voltage control

The voltage divided by resistors R1 and R2 is compared with the internal reference voltage by the error amplifier. The amplifier output then drives the P-channel MOSFET connected to the V_{OUT} pin. The output voltage at the V_{OUT} pin is regulated by this negative feedback system. The current limit circuit and short protect circuit operate in relation to output current level.



■ Pass transistor

The pass transistor with low turn-on resistance used in MD7218 is a P-channel MOSFET. If the potential on V_{OUT} pin is higher than V_{IN} , it is possible that IC will be destroyed due to reverse current which is caused by parasitic diodes between V_{IN} and V_{OUT} . Therefore, the V_{OUT} pin potential exceeds $V_{IN}+0.3V$ is not allowed.

■ Current limit, over temperature protection

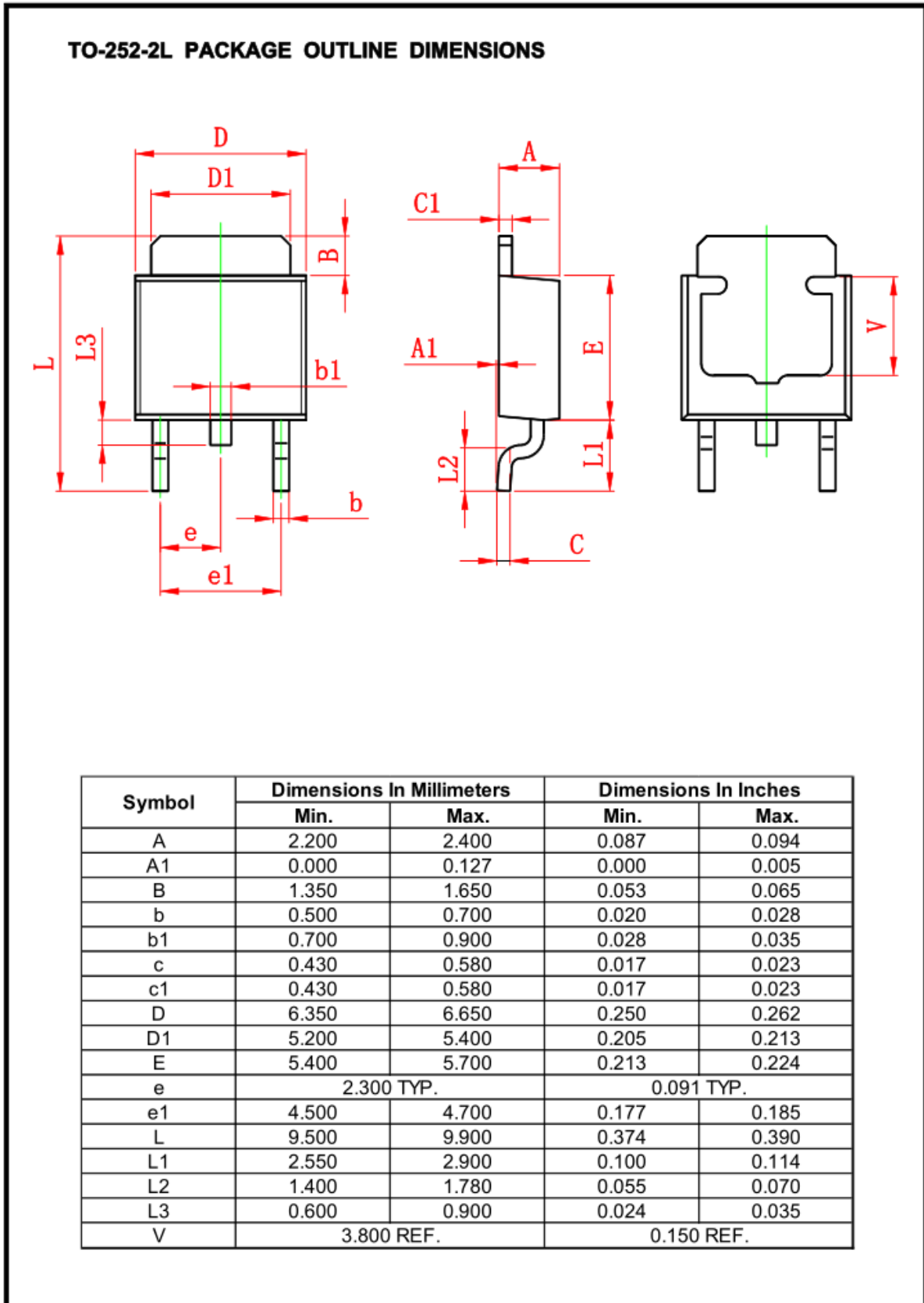
The MD7218 series includes a combination of a fixed current limiter circuit which aid the operations of the current limiter and circuit protection. When the load current reaches the current limit level, the fixed current limiter circuit operates and output voltage drops. As a result of this drop in output voltage, the foldback circuit operates, output voltage drops further and output current decreases.

Special attention should be paid to that the product of the dropout voltage on the chip and the output current must be smaller than the heat dissipation. If power consumption on the chip is more than the heat dissipation, OTP will protect the chip from damaging due to over temperature.

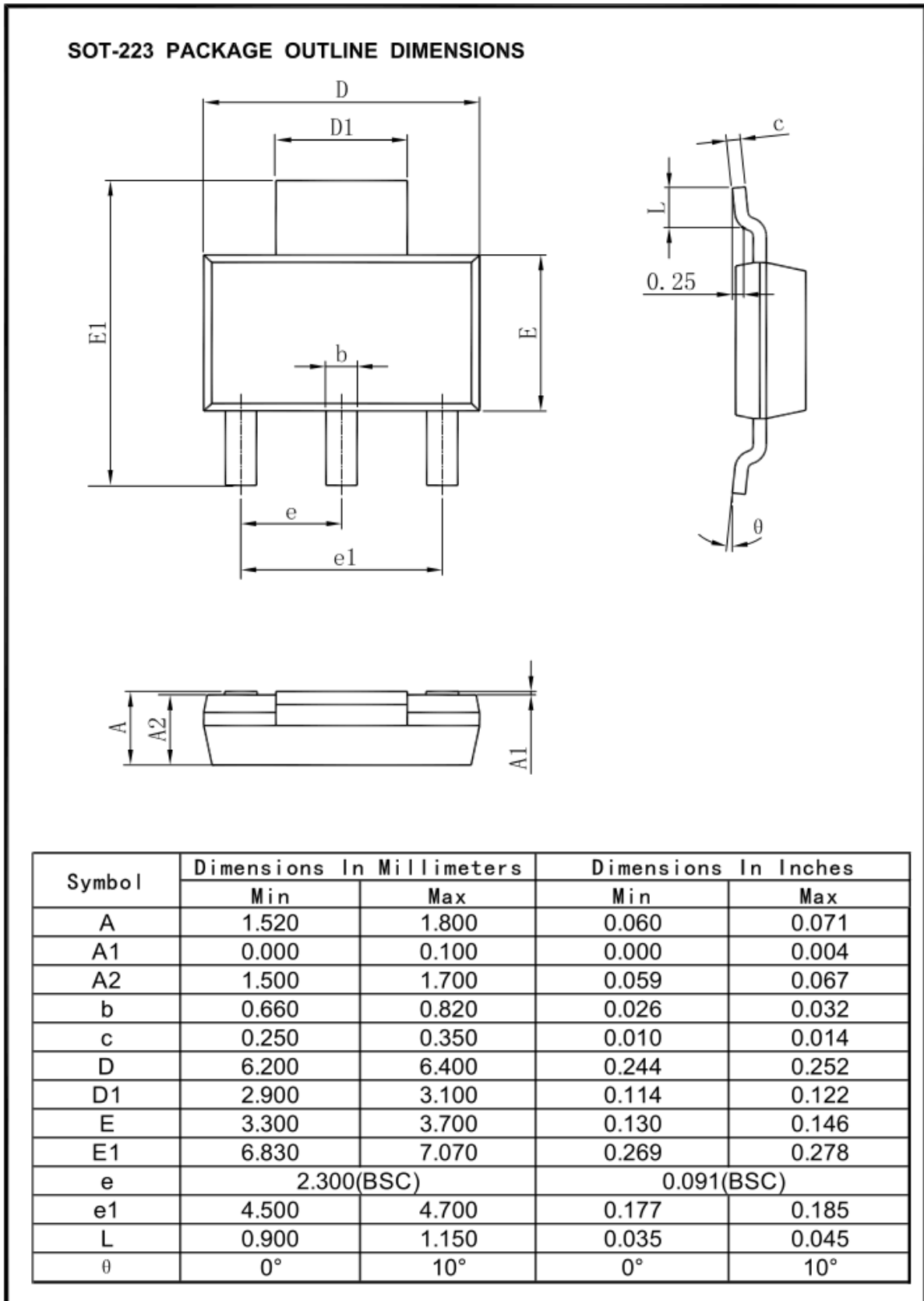
■ Notes:

1. The input and output capacitors should be placed as close as possible to the IC.
2. If the impedance of the power supply is high, which is caused by forgetting installing input capacitor or installing too small value capacitor, the oscillation may occur.
3. Pay attention to the operation conditions of input and output voltage and load current, such that the power consumption in the IC should not exceed the allowable power consumption of the package even though the chip has short circuit protection.
4. IC has a built-in anti-static protection (ESD) circuit, but please do not add excessive stress to the IC.

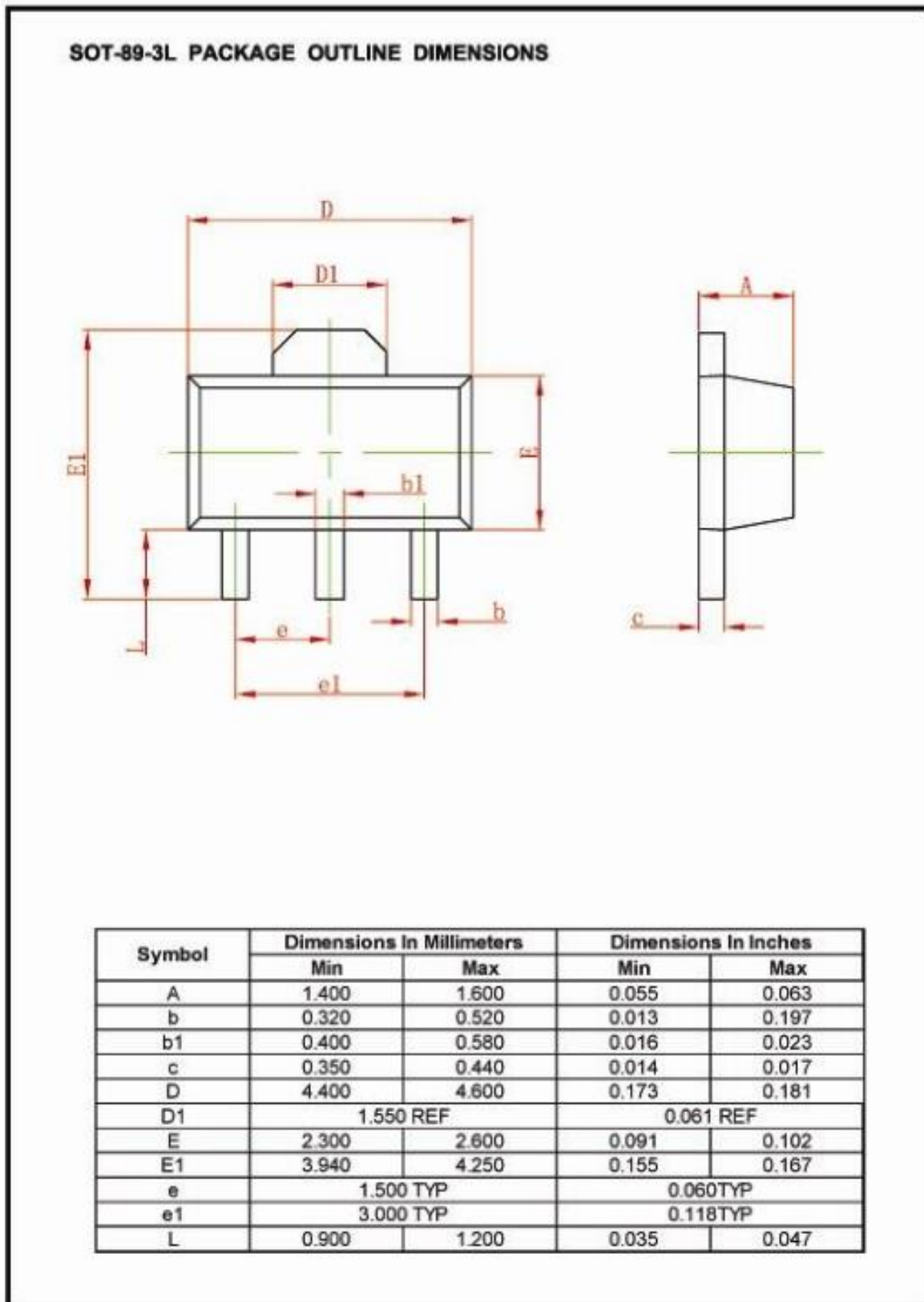
■ Packaging Information



■ Packaging Information (Continued)

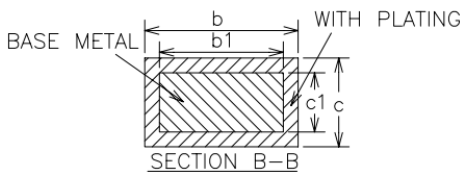
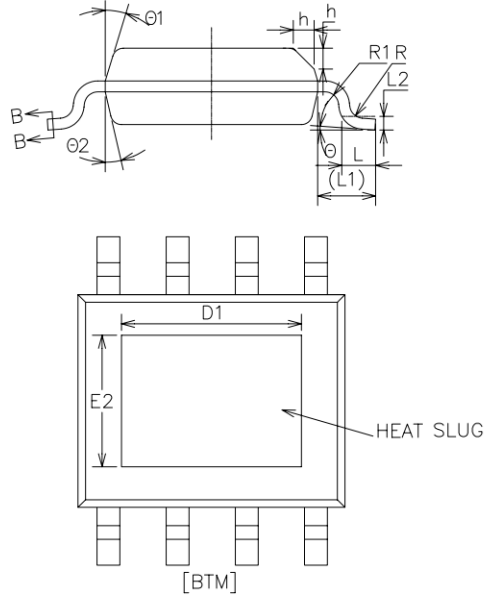
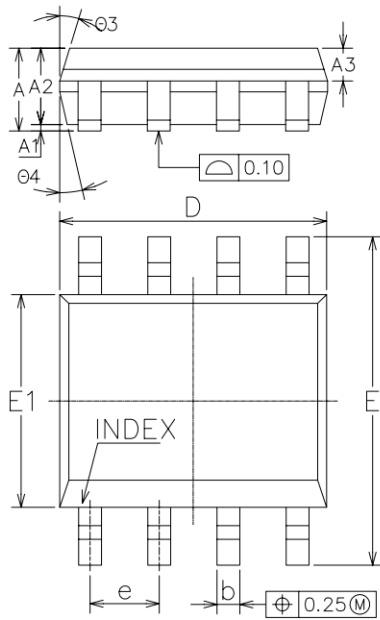


■ Packaging Information (Continued)



■ Packaging Information (Continued)

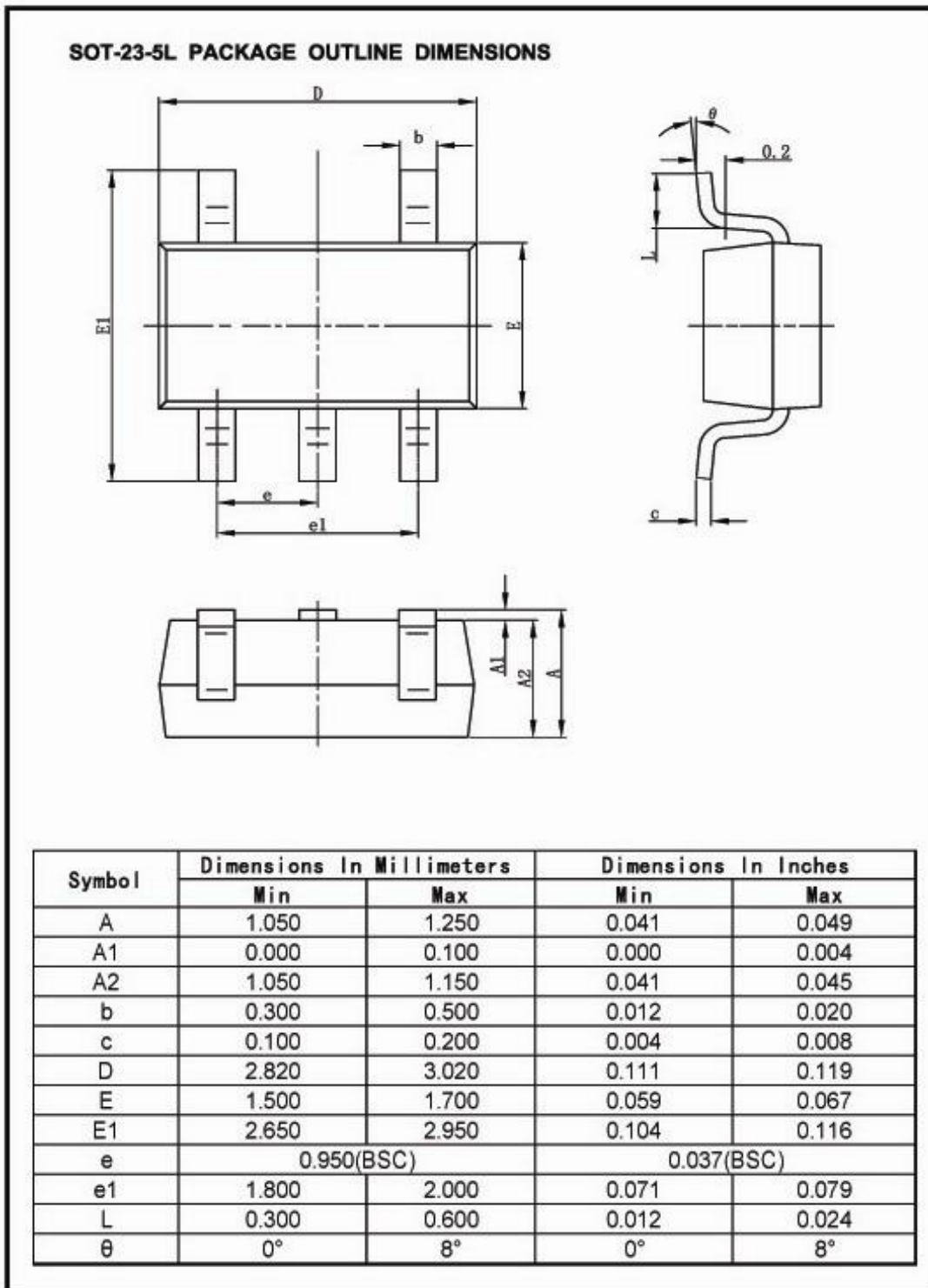
ESOP8 PACKAGE OUTLINE DIMENSIONS



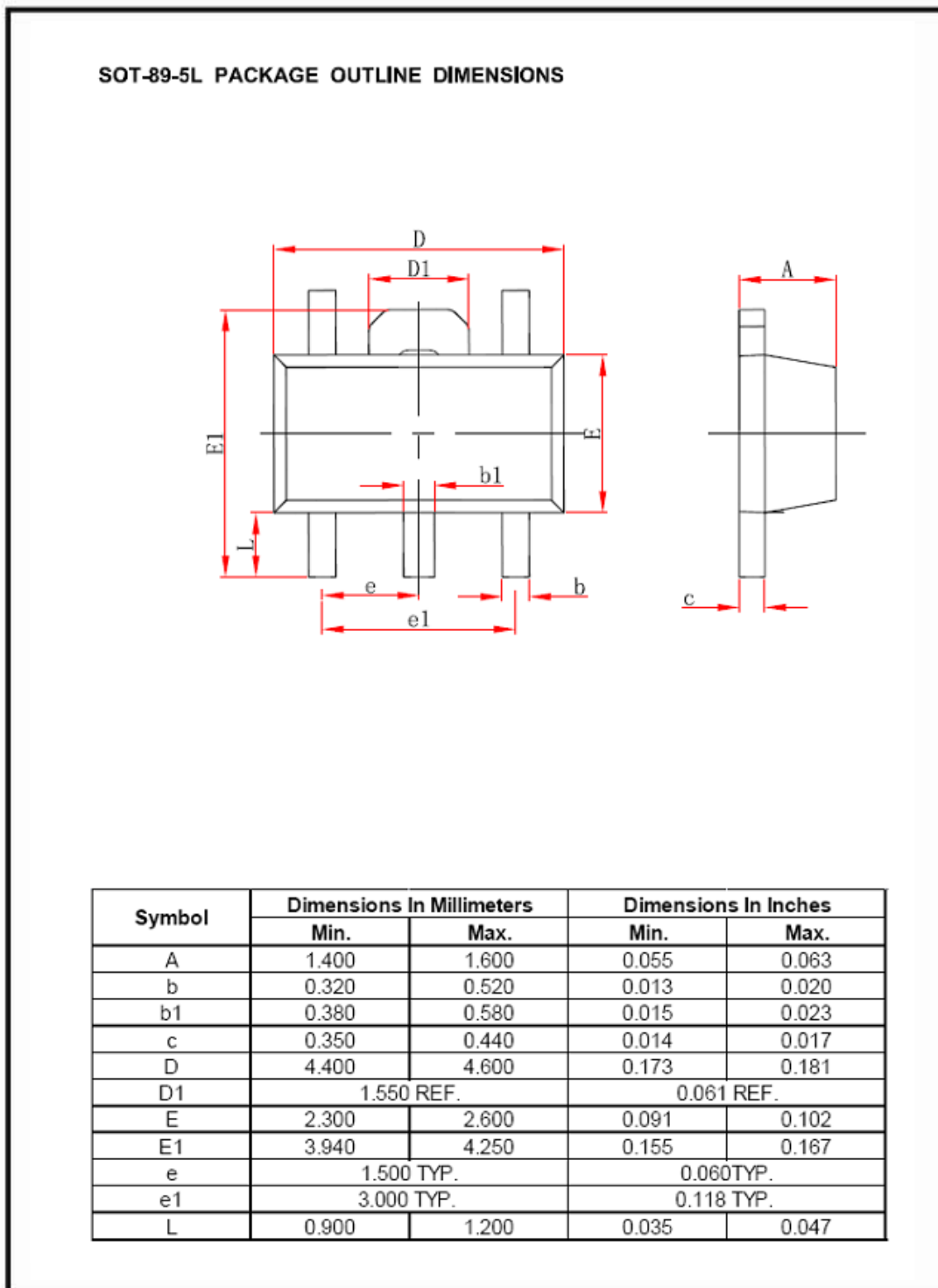
COMMON DIMENSIONS
(UNITS OF MEASURE=MILLIMETER)

| SYMBOL | MIN | NOM | MAX | |
|------------|----------|------|------|------|
| A | 1.35 | 1.55 | 1.70 | |
| A1 | 0 | 0.10 | 0.15 | |
| A2 | 1.25 | 1.40 | 1.65 | |
| A3 | 0.50 | 0.60 | 0.70 | |
| b | 0.38 | - | 0.51 | |
| b1 | 0.37 | 0.42 | 0.47 | |
| c | 0.17 | - | 0.25 | |
| c1 | 0.17 | 0.20 | 0.23 | |
| D | 4.80 | 4.90 | 5.00 | |
| D1 | Option 1 | 3.10 | 3.30 | 3.50 |
| | Option 2 | 2.09 | 2.29 | 2.49 |
| E | 5.80 | 6.00 | 6.20 | |
| E1 | 3.80 | 3.90 | 4.00 | |
| E2 | Option 1 | 2.20 | 2.40 | 2.60 |
| | Option 2 | 2.09 | 2.29 | 2.49 |
| e | 1.17 | 1.27 | 1.37 | |
| L | 0.45 | 0.60 | 0.80 | |
| L1 | 1.04REF | | | |
| L2 | 0.25BSC | | | |
| R | 0.07 | - | - | |
| R1 | 0.07 | - | - | |
| h | 0.30 | 0.40 | 0.50 | |
| θ | 0° | - | 8° | |
| $\theta 1$ | 15° | 17° | 19° | |
| $\theta 2$ | 11° | 13° | 15° | |
| $\theta 3$ | 15° | 17° | 19° | |
| $\theta 4$ | 11° | 13° | 15° | |

■ Packaging Information (Continued)



■ Packaging Information (Continued)



For the newest datasheet, please see the website:

www.md-ic.com.cn

Version V1.0: 20201109

X-ON Electronics

Largest Supplier of Electrical and Electronic Components

Click to view similar products for [Linear Voltage Regulators](#) category:

Click to view products by [Mingda](#) manufacturer:

Other Similar products are found below :

[LV56831P-E](#) [LV5684PVD-XH](#) [MCDTSA6-2R](#) [L7815ACV-DG](#) [PQ3DZ53U](#) [LV56801P-E](#) [TLE42794G](#) [L78L05CZ/1SX](#) [L78LR05DL-MA-E](#) [636416C](#) [714954EB](#) [BA033LBSG2-TR](#) [LV5680P-E](#) [L78M15CV-DG](#) [TLS202B1MBV33HTSA1](#) [L79M05T-E](#) [TLS202A1MBVHTSA1](#) [L78LR05D-MA-E](#) [NCV317MBTG](#) [NTE7227](#) [LV5680NPVC-XH](#) [LT1054CN8](#) [MP2018GZD-5-Z](#) [MP2018GZD-33-Z](#) [MIC5281-3.3YMM](#) [MC78L06BP-AP](#) [TA48LS05F\(TE85L,F\)](#) [TA78L12F\(TE12L,F\)](#) [TC47BR5003ECT](#) [TCR2LN12,LF\(S](#) [TCR2LN28,LF\(S](#) [TCR2LN30,LF\(S](#) [TCR3DF295,LM\(CT](#) [TCR3DF40,LM\(CT](#) [BA178M20CP-E2](#) [L78M12ABDT](#) [LM7812SX/NOPB](#) [LR645N3-G-P003](#) [LR645N3-G-P013](#) [ZXTR2005P5-13](#) [SCD7812BTG](#) [TCR3DF335,LM\(CT](#) [ZXTR2012K-13](#) [TLE42994E V33](#) [ZXTR2008K-13](#) [ZXTR2005K-13](#) [L88R05DL-E](#) [ADP3300ARTZ-2.7RL7](#) [LM120K-15/883](#) [IFX54441LDVXUMA1](#)