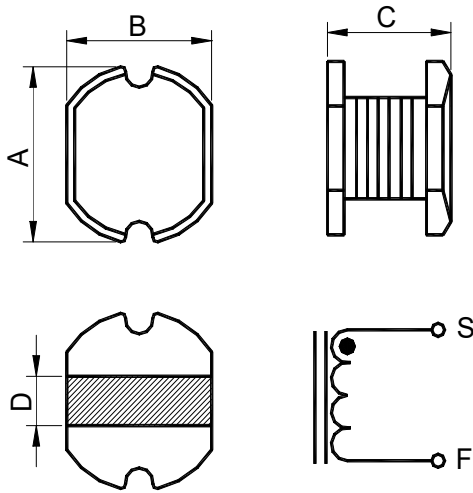


## SPECIFICATION FOR APPROVAL

CUSTOMER		CUST P/N.	
ITEM	SMD Power Inductors	Description	CD54N-330K
PART NO.	306-61001	DATE	2022.10.21

**(1) DIMENSION(UNIT:mm)**



A	5.8 ± 0.5	mm
B	5.5 ± 0.5	mm
C	4.5 ± 0.5	mm
D	1.3 (REF)	mm
E		mm
F		mm
G		mm
H		mm

**(2) ELECTRICAL REQUIREMENTS**

TEST CONDITION	FREQUENCY	VOLTAGE	(3) TEST INSTRUMENTS	
			LCR-METER:	
L	33.0μH±10%	200KHz 0.25V	V	HP-4291A WK3260B
L <sub>1.0A</sub>	≥ L <sub>0A</sub> ×80%	200KHz 0.25V	V	LCR-METER: WK3260B
DCR	0.230Ω(Max)	KHz V	V	DC RESISTANCE METER: WK3260B
IDC	1.0A (Max)	KHz V	V	CURRENT SOURCE: TH2816B+1320
		MHz V		GW PUNCTURE INSULATION TESTER HP-4291A

**(4) TURN: 36Ts(REF)**

**(5) MATERIAL LIST**

ITEM	MATERIAL	DESCRIPTION
1	CORE	
2	WIRE	
3	INK	
4		

REMARK:	APPROVED	CHECKED	DRAWN BY
	姜杰文	姜法宝	WEN

## TEST DATA FOR PREPRODUCTION SAMPLES

CUSTOMER:				Part No.	306-61001			Test Q'ty:	10			PCS	PCS					
CUST P/N.				Description:	CD54N-330K			Date:	2022.10.21									
MEASURE ITEM	L ( $\mu$ H)		L1.0A ( $\mu$ H)			DCR (m $\Omega$ )			A (mm)			B (mm)			C (mm)			
SPECIFIC	33.0		$\geq$ L0A $\times$ 80%			230.0			5.8			5.5			4.5			
SUGGEST	$\pm$ 10%					Max			$\pm$ 0.5			$\pm$ 0.5			$\pm$ 0.5			
1	32.26	32.63	32.32	31.84	32.03	32.06	196.0	191.0	195.0	5.63	5.55	5.61	5.28	5.28	5.29	4.57	4.68	4.56
2	32.40	32.63	32.26	31.70	31.86	31.86	190.0	192.0	191.0	5.59	5.53	5.63	5.24	5.31	5.38	4.52	4.71	4.61
3	32.74	32.56	32.65	31.86	31.86	31.96	192.0	193.0	191.0	5.62	5.63	5.52	5.33	5.32	5.4	4.52	4.74	4.73
4	32.68	32.54	32.68	31.94	31.75	31.76	191.0	191.0	192.0	5.57	5.62	5.53	5.24	5.45	5.36	4.56	4.7	4.63
5	32.62	32.96	32.69	32.04	32.15	31.65	195.0	193.0	194.0	5.60	5.56	5.59	5.27	5.30	5.29	4.59	4.57	4.59
6	32.98	32.95	32.73	32.14	32.06	31.56	191.0	190.0	190.0	5.59	5.56	5.62	5.26	5.31	5.36	4.75	4.69	4.67
7	32.56	32.68	32.56	31.76	31.95	31.19	198.0	192.0	196.0	5.61	5.63	5.57	5.27	5.34	5.31	4.49	4.65	4.65
8	32.64	32.74	32.46	31.84	31.86	32.16	200.0	195.0	198.0	5.74	5.61	5.61	5.25	5.38	5.4	4.58	4.66	4.56
9	32.54	32.65	32.69	31.88	32.15	31.95	196.0	196.0	196.0	5.61	5.52	5.60	5.27	5.32	5.36	4.54	4.59	4.63
10	32.64	32.95	32.75	32.02	31.68	31.86	191.0	194.0	197.0	5.64	5.59	5.55	5.29	5.35	5.32	4.76	4.71	4.62
CPK	5.7																	
TEST CONDITION	INSTRUMENTS:		WK3260B									AT:		200 KHz		0.25V		
	ENVIRONMENT:		TEMP:25 degree HUMDITY :65%															
	STORAGE TEMPERATURE RANGE						-40 $^{\circ}$ C~+125 $^{\circ}$ C											
	OPERATING TEMPERATURE RANGE						-40 $^{\circ}$ C~+125 $^{\circ}$ C											
REMARK:									APPROVED			CHECKED			DRAWN BY			
									姜杰文			姜法宝			WEN			

## X-ON Electronics

Largest Supplier of Electrical and Electronic Components

*Click to view similar products for [Fixed Inductors](#) category:*

*Click to view products by [MINGSTAR](#) manufacturer:*

Other Similar products are found below :

[CR32NP-100KC](#) [CR54NP-470LC](#) [70F224AI](#) [MGDQ4-00004-P](#) [MHQ1005P10NJ](#) [MHQ1005P1N0S](#) [MHQ1005P2N4S](#) [MHQ1005P3N6S](#)  
[MHQ1005P5N1S](#) [MHQ1005P8N2J](#) [PE-53601NL](#) [PE-53602NL](#) [PG0936.113NLT](#) [9220-20](#) [9310-16](#) [PM06-2N7](#) [PM06-39NJ](#) [A01TK](#)  
[1206CS-471XJ](#) [HC2-R47-R](#) [HC8-1R2-R](#) [HCF1305-3R3-R](#) [1206CS-151XG](#) [RCH664NP-140L](#) [RCH664NP-4R7M](#) [RCP1317NP-391L](#)  
[RCR110DNP-331L](#) [DH2280-4R7M](#) [DS1608C-106](#) [B10TJ](#) [B82498B3101J000](#) [ELJ-RE27NJF2](#) [1812CS-153XJ](#) [1812CS-183XJ](#) [1812CS-](#)  
[223XJ](#) [1812LS-104XJ](#) [1812LS-105XJ](#) [1812LS-124XJ](#) [1812LS-154XJ](#) [1812LS-223XJ](#) [1812LS-224XJ](#) [1812LS-563XJ](#) [1812LS-683XJ](#)  
[1812LS-824XJ](#) [NIN-FB101JTR110F](#) [NIN-FB471JTR62F](#) [NIN-FC1R5JTR220F](#) [NIN-HCR15JTRF](#) [NIN-HCR33JTRF](#) [NIN-HDR22JTRF](#)