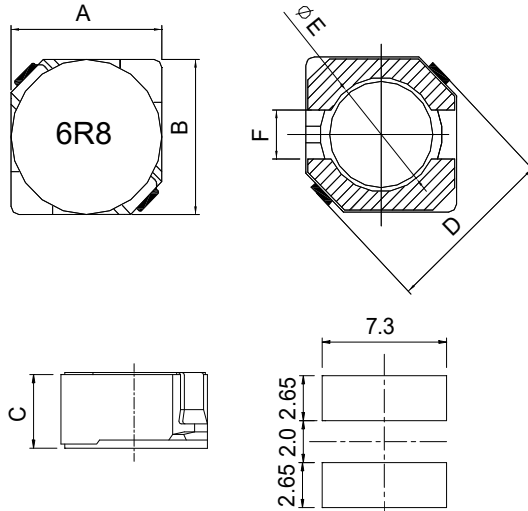


SPECIFICATION FOR APPROVAL

CUSTOMER		CUST P/N.	
ITEM	SMD Power Inductors	Description	CDH6D28N-6R8P
PART NO.	306-92770	DATE	2011.05.30

(1) DIMENSION(UNIT:mm)



A	6.8 ± 0.5	mm
B	6.8± 0.5	mm
C	3.1(Max)	mm
D	9.5 (Max)	mm
E	Ø5.4 (REF)	mm
F	2.0 (REF)	mm
G		mm
H		mm

(2)ELECTRICAL REQUIREMENTS

TEST CONDITION		FREQUENCY		(3) TEST INSTRUMENTS	
		VOLTAGE			
L	6.8μH±30%	200KHz	0.25V	LCR-METER:	
				V	HP-4291A WK3260
DCR	54.0mΩ (Max)	KHz	V	DC RESISTANCE METER:	
				V	WK3260
Isat	1.8A(Max) at L drop35%(TYP)	200KHz	0.25V	CURRENT SOURCE:	
				V	TH2816B+1320
Irms	1.6A(Max) at ΔT=40°C (TYP)	200KHz	0.25V	CURRENT SOURCE:	
				V	TH2816B+1320
		MHz	V	GW PUNCTURE INSULATION TESTER	

(4)TURNS : 12Ts(REF)

ITEM	MATERIAL	DESCRIPTION	Supplier of the material	UL NO.
1	CORE	R5A DR6.6×2.7 D3	SINCORES ELECTRONICS (D.G.) CORP.	
2	COAT	R5A RI 6.6×2.5×5.5	SINCORES ELECTRONICS (D.G.) CORP.	
3	WRIE	Ø0.21mm×2(2UEW-H)180°C	HENG YA ELECTRIC LIMITED TAYA ELECTRIC WIRE FACTORY	E197768
4	BASE	C-03004 P4	LIANCHENG METALS & ELECTRONIC FACTORY	
5	SOLDER	Sn-Cu	DYFENCO ELECTRONIC CHEMICAL CORP.	

REMARK:

APPROVED	CHECKED	DRAWN BY
<i>Simon</i>	辛海峰	童娟

X-ON Electronics

Largest Supplier of Electrical and Electronic Components

Click to view similar products for [Fixed Inductors](#) category:

Click to view products by [MINGSTAR](#) manufacturer:

Other Similar products are found below :

[CR32NP-151KC](#) [CR32NP-180KC](#) [CR32NP-181KC](#) [CR32NP-1R5MC](#) [CR32NP-390KC](#) [CR32NP-3R9MC](#) [CR32NP-680KC](#) [CR32NP-820KC](#) [CR32NP-8R2MC](#) [CR43NP-390KC](#) [CR43NP-560KC](#) [CR43NP-680KC](#) [CR54NP-181KC](#) [CR54NP-470LC](#) [CR54NP-820KC](#) [CR54NP-8R5MC](#) [70F224AI](#) [MGDQ4-00004-P](#) [MHL1ECTTP18NJ](#) [MHQ1005P10NJ](#) [MHQ1005P1N0S](#) [MHQ1005P2N4S](#) [MHQ1005P3N6S](#) [MHQ1005P5N1S](#) [MHQ1005P8N2J](#) [PE-51506NL](#) [PE-53601NL](#) [PE-53602NL](#) [PE-53630NL](#) [PE-53824SNLT](#) [PE-92100NL](#) [PG0434.801NLT](#) [PG0936.113NLT](#) [9220-20](#) [9310-16](#) [PM06-2N7](#) [PM06-39NJ](#) [A01TK](#) [1206CS-471XJ](#) [HC2LP-R47-R](#) [HC2-R47-R](#) [HC3-2R2-R](#) [HCF1305-3R3-R](#) [1206CS-151XG](#) [RCH664NP-140L](#) [RCH664NP-4R7M](#) [RCH8011NP-221L](#) [RCP1317NP-332L](#) [RCP1317NP-391L](#) [RCR1010NP-470M](#)