

RoHS

承認書

APPROVAL SHEET

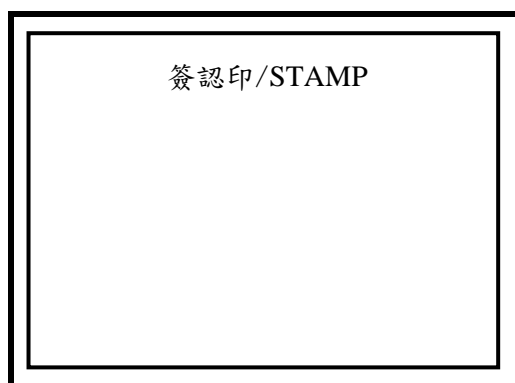
客戶名稱
CUSTOMER _____

客戶料號
CUSTOMER P/N _____

品名/規格
DESCRIPTION **SMD Power Inductors**
CDRH125N-680M

登壹料號
MINGSTAR P/N **306-54089**

登壹送樣編號
MINGSTAR DWG# **SZ15-07013**



DATE OF APPROVAL _____



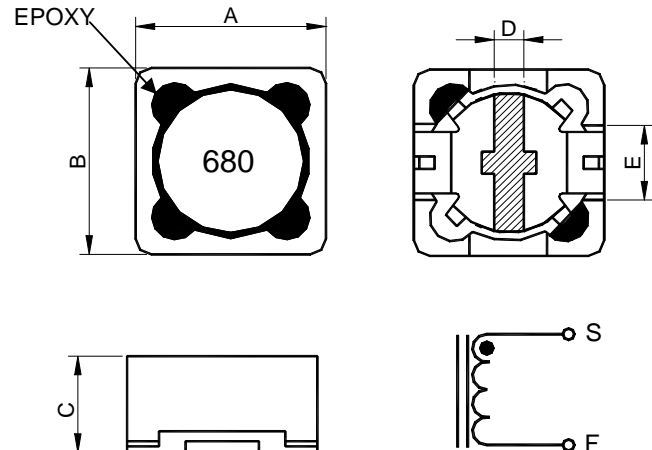
登壹企業股份有限公司

MINGSTAR ELECTRONIC CORP.

SALES	CHECKED & APPROVAL BY	DESIGNED BY	ISSUED BY
丘海燕	Simon	辛海峰	張小萍

DATE OF SAMPLING 2015/8/3

SPECIFICATION FOR APPROVAL

CUSTOMER		CUST P/N.		
ITEM	SMD Power Inductors	Description	CDRH125N-680M	
PART NO.	306-54089	DATE	2015.8.3	
(1) DIMENSION(UNIT:mm) 			A	12.2 ± 0.5 mm
			B	12.2 ± 0.5 mm
			C	6.0 (Max) mm
			D	1.7 ± 0.3 mm
			E	5.0 ± 0.3 mm
			F	mm
			G	mm
			H	mm

(2) ELECTRICAL REQUIREMENTS

TEST CONDITION		FREQUENCY		(3) TEST INSTRUMENTS	
		VOLTAGE		LCR-METER:	
L	68.0μH±20%	100KHz	0.25V	V	HP-4291A WK3260B
DCR	121.0mΩ±10%	KHz	V	V	DC RESISTANCE METER: WK3260B
IDC	2.5A (Max)	100KHz	0.25V	V	CURRENT SOURCE: TH2816B+1320
L _{IDC}	drop 35%(TYP)	100KHz	0.25V	V	RFIMPEDANCE/MATERIAL ANALYZER TH2816B+1320
		MHz	V		GW PUNCTURE INSULATION TESTER HP-4291A

(4) TURN: 32TS(REF)

(5) MATERIAL LIST

ITEM	MATERIAL	DESCRIPTION
1	CORE	F4D DR 10x5.2
2	COAT	F4D SRI 12.2x10.8x5
3	WIRE	Ø0.4mm(2UEW-H)
4	TERMIANL	C-1200-1D P1 (鍍錫)

REMARK:	APPROVED	CHECKED	DRAWN BY
	Simon	辛海峰	張小萍

MINGSTAR ELECTRONIC CORP.

TEST DATA FOR PREPRODUCTION SAMPLES

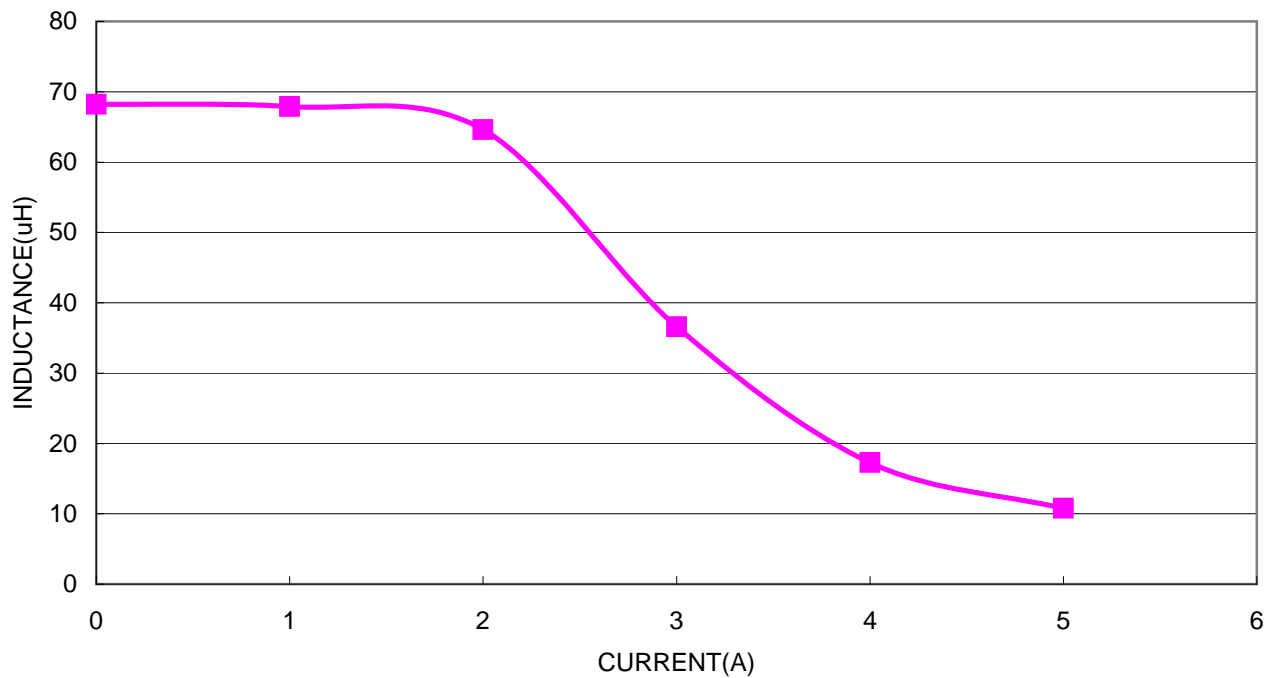
CUSTOMER:	0	Part No.	306-54089	Test Q'ty:	10	PCS	
CUST P/N.	0	Description:	CDRH125N-680M	Date:	2015.8.3		
MEASURE ITEM	L (μ H)	DCR (m Ω)	A (mm)	B (mm)	C (mm)		
SPECIFIC	68.0	121.0	12.2	12.2	6.0		
SUGGEST	\pm 20%	Max	\pm 0.5	\pm 0.5	Max		
1	68.40	109.0	12.31	12.29	5.76		
2	67.60	106.0	12.30	12.29	5.78		
3	68.60	105.5	12.30	12.30	5.76		
4	68.50	106.0	12.31	12.30	5.80		
5	67.00	107.0	12.29	12.31	5.77		
6	66.40	105.5	12.28	12.29	5.78		
7	71.20	105.0	12.29	12.30	5.78		
8	68.00	105.5	12.30	12.31	5.76		
9	69.20	105.0	12.31	12.30	5.77		
10	69.40	105.0	12.30	12.29	5.78		
X							
R							
TEST CONDITION	INSTRUMENTS:		WK3260B			AT:	100KHz 0.25V
	ENVIORNENTS:		TEMP:25 degree HUMDITY :65%				
	STORAGE TEMPERATURE RANGE			-40 $^{\circ}$ C~+85 $^{\circ}$ C			
	OPERATING TEMPERATURE RANGE			-25 $^{\circ}$ C~+85 $^{\circ}$ C			
REMARK:					APPROVED	CHECKED	DRAWN BY
					Simon	辛海峰	張小萍

MINGSTAR ELECTRONIC CORP.

GRAPH

CUSTOMER:	0	Part No.	306-54089	Test Q'ty:	6	PCS
CUST P/N.	0	Description:	CDRH125N-680M	Date:	2015.8.3	

CURRENT VS INDUCTANCE



TEST CONDITION	INSTRUMENTS:	TH2816B+1320	AT:	100KHz	0.25V
	ENVIRONMENT:	TEMP:25 degree HUMDITY :65%			

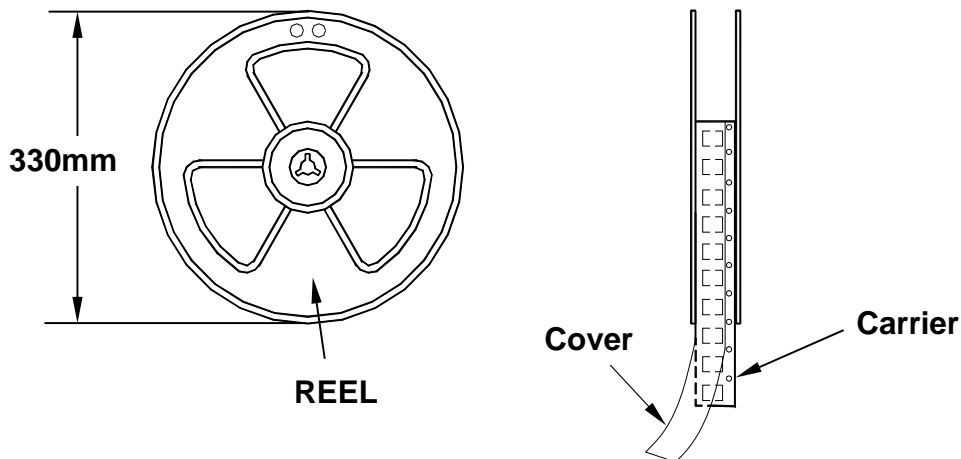
REMARK:	APPROVED	CHECKED	DRAWN BY
	Simon	辛海峰	張小萍

MINGSTAR ELECTRONIC CORP.

PACKING FOR SMD

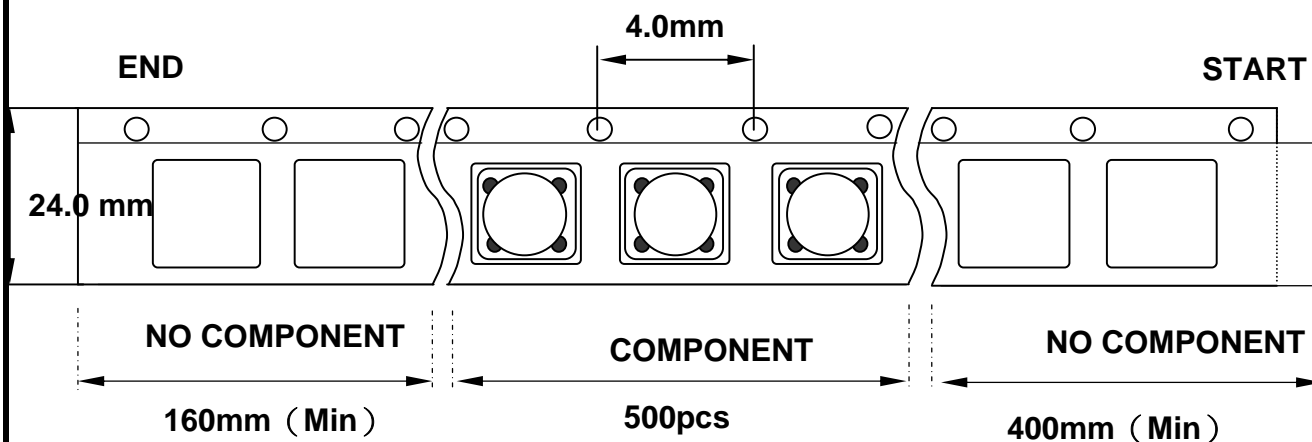
CUSTOMER	0	CUST P/N.	0
ITEM	SMD Power Inductors	Description	CDRH125N-680M
Part No.	306-54089	DATE	2015.8.3

CARRIER,COVER,REEL SPECIFICATIONS(UNIT:mm):



Packaging Specifications:

← 卷帶走向



1.PACKING NUMBER: REEL:500pcs.

2.MATERIAL:
 CARRIER:24.0mm.
 COVER:21.3mm*0.053.
 REEL:330mm.

3.COVER TAPE ADHESION TO CORRIER:20~90grams.

APPROVED: Simon

CHECKED: 辛海峰

DRAWN BY: 張小萍

X-ON Electronics

Largest Supplier of Electrical and Electronic Components

Click to view similar products for [Fixed Inductors](#) category:

Click to view products by [MINGSTAR](#) manufacturer:

Other Similar products are found below :

[CR32NP-100KC](#) [CR54NP-470LC](#) [70F224AI](#) [MGDQ4-00004-P](#) [MHQ1005P10NJ](#) [MHQ1005P1N0S](#) [MHQ1005P2N4S](#) [MHQ1005P3N6S](#)
[MHQ1005P5N1S](#) [MHQ1005P8N2J](#) [PE-53601NL](#) [PE-53602NL](#) [PG0936.113NLT](#) [9220-20](#) [9310-16](#) [PM06-2N7](#) [PM06-39NJ](#) [A01TK](#)
[1206CS-471XJ](#) [HC2-R47-R](#) [HC8-1R2-R](#) [HCF1305-3R3-R](#) [1206CS-151XG](#) [RCH664NP-140L](#) [RCH664NP-4R7M](#) [RCP1317NP-391L](#)
[RCR110DNP-331L](#) [DH2280-4R7M](#) [DS1608C-106](#) [B10TJ](#) [B82498B3101J000](#) [ELJ-RE27NJF2](#) [1812CS-153XJ](#) [1812CS-183XJ](#) [1812CS-](#)
[223XJ](#) [1812LS-104XJ](#) [1812LS-105XJ](#) [1812LS-124XJ](#) [1812LS-154XJ](#) [1812LS-223XJ](#) [1812LS-224XJ](#) [1812LS-563XJ](#) [1812LS-683XJ](#)
[1812LS-824XJ](#) [NIN-FB101JTR110F](#) [NIN-FB471JTR62F](#) [NIN-FC1R5JTR220F](#) [NIN-HCR15JTRF](#) [NIN-HCR33JTRF](#) [NIN-HDR22JTRF](#)