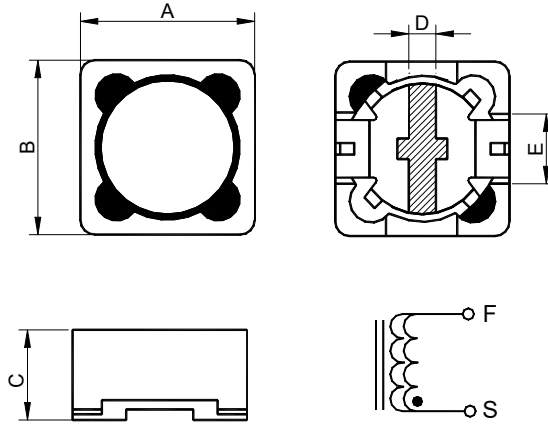


SPECIFICATION FOR APPROVAL

CUSTOMER		CUST P/N.	
ITEM	SMD Power Inductors	Description	CDRH127N-3R9M
PART NO.		DATE	

(1) DIMENSION(UNIT:mm)

EPOXY



A	12.0 ± 0.5	mm
B	12.0 ± 0.5	mm
C	8.0 (Max)	mm
D	1.7 ± 0.5	mm
E	5.0 ± 0.5	mm
F		mm
G		mm
H		mm

(2) ELECTRICAL REQUIREMENTS

TEST CONDITION		FREQUENCY		(3) TEST INSTRUMENTS	
		VOLTAGE		LCR-METER:	
L	3.9μH±20%	1KHz	1V		HP-4291A
				V	WK3260B
DCR	0.019Ω(Max)	KHz	V	DC RESISTANCE METER:	
				V	WK3260B
IDC	10.0A (Max)	1KHz	1V	CURRENT SOURCE:	
				V	TH2816B+1320
		KHz	V	RFIMPEDANCE/MATERIAL ANALYZER	
				V	9071A
		MHz	V	GW PUNCTURE INSULATION TESTER	
					HP-4291A

(4) TURN:TS(REF)

(5) MATERIAL LIST

ITEM	MATERIAL	DESCRIPTION
1	CORE	
2	COAT	
3	WIRE	
4	INK	
5	EPOXY	

REMARK:	APPROVED	CHECKED	DRAWN BY
	姜杰文	姜法寶	MIA

TEST DATA FOR PREPRODUCTION SAMPLES

CUSTOMER:				Part No.				Test Q'ty:	10	PCS	
CUST P/N.				Description:	CDRH127N-3R9M			Date:			
MEASURE ITEM	L (μ H)	DCR (Ω)	A (mm)	B (mm)	C (mm)						
SPECIFIC	22.0	0.043	12.0	12.0	8.0						
SUGGEST	\pm 20%	Max	\pm 0.5	\pm 0.5	Max						
1	20.9	0.033	12.06	12.00	7.56						
2	21.3	0.034	12.11	12.07	7.52						
3	21.6	0.033	12.17	12.08	7.58						
4	20.9	0.034	12.13	12.08	7.53						
5	21.0	0.035	12.11	12.11	7.54						
6	20.7	0.034	12.09	12.09	7.52						
7	20.9	0.033	12.07	12.05	7.58						
8	20.8	0.034	12.10	12.10	7.49						
9	21.0	0.034	12.11	12.16	7.54						
10	20.5	0.034	12.07	12.00	7.58						
X											
R											
TEST CONDITION	INSTRUMENTS:		WK3260B					AT:	200KHz	0.25V	
	ENVIORMENTS:		TEMP:25 degree HUMDITY :65%								
	STORAGE TEMPERATURE RANGE				-40 $^{\circ}$ C~+125 $^{\circ}$ C						
	OPERATING TEMPERATURE RANGE				-40 $^{\circ}$ C~+125 $^{\circ}$ C						
REMARK:						APPROVED	CHECKED	DRAWN BY			
						姜杰文	姜法寶	MIA			

MINGSTAR ELECTRONIC CORP.

X-ON Electronics

Largest Supplier of Electrical and Electronic Components

Click to view similar products for [Fixed Inductors](#) category:

Click to view products by [MINGSTAR](#) manufacturer:

Other Similar products are found below :

[CR32NP-100KC](#) [CR54NP-470LC](#) [70F224AI](#) [MGDQ4-00004-P](#) [MHQ1005P10NJ](#) [MHQ1005P1N0S](#) [MHQ1005P2N4S](#) [MHQ1005P3N6S](#)
[MHQ1005P5N1S](#) [MHQ1005P8N2J](#) [PE-53601NL](#) [PE-53602NL](#) [PG0936.113NLT](#) [9220-20](#) [9310-16](#) [PM06-2N7](#) [PM06-39NJ](#) [A01TK](#)
[1206CS-471XJ](#) [HC2-R47-R](#) [HC8-1R2-R](#) [HCF1305-3R3-R](#) [1206CS-151XG](#) [RCH664NP-140L](#) [RCH664NP-4R7M](#) [RCP1317NP-391L](#)
[RCR110DNP-331L](#) [DH2280-4R7M](#) [DS1608C-106](#) [B10TJ](#) [B82498B3101J000](#) [ELJ-RE27NJF2](#) [1812CS-153XJ](#) [1812CS-183XJ](#) [1812CS-](#)
[223XJ](#) [1812LS-104XJ](#) [1812LS-105XJ](#) [1812LS-124XJ](#) [1812LS-154XJ](#) [1812LS-223XJ](#) [1812LS-224XJ](#) [1812LS-563XJ](#) [1812LS-683XJ](#)
[1812LS-824XJ](#) [NIN-FB101JTR110F](#) [NIN-FB471JTR62F](#) [NIN-FC1R5JTR220F](#) [NIN-HCR15JTRF](#) [NIN-HCR33JTRF](#) [NIN-HDR22JTRF](#)