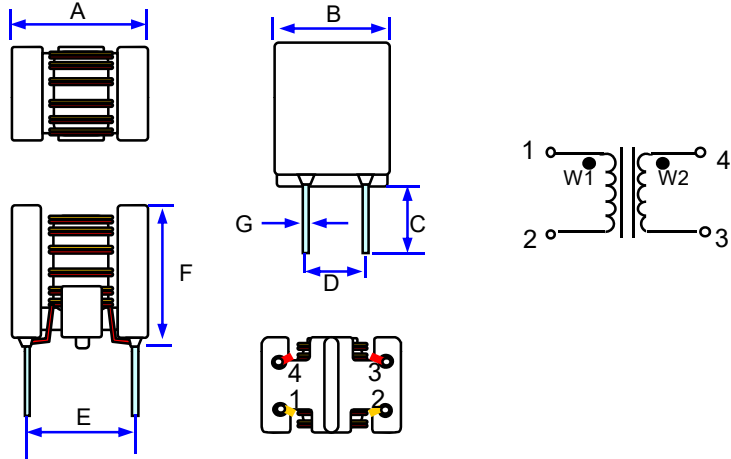


## SPECIFICATION FOR APPROVAL

CUSTOMER		CUST P/N.	
ITEM	COMMON MODE CHOKE	Description	TM392225N-700-B
PART NO.	302-99016	DATE	2019.10.14

**(1) DIMENSION(UNIT:mm)**



<b>A</b>	7.1 ± 0.5	mm
<b>B</b>	6.1 ± 0.5	mm
<b>C</b>	3.2±0.5	mm
<b>D</b>	2.54± 0.5	mm
<b>E</b>	5.08 ± 0.5	mm
<b>F</b>	8.3 ± 0.5	mm
<b>G</b>	0.6 ± 0.1	mm

**(2)ELECTRICAL REQUIREMENTS**

TEST CONDITION	FREQUENCY	VOLTAGE	(3) TEST INSTRUMENTS	
			LCR-METER:	
$L_{1-2=4-3}$	70.0μH MIN	100KHz 0.1V	V	WK3260 TH2816B
$DCR_{1-2=4-3}$	80.0mΩ (Max)	MHz V	V	RFIMPEDANCE/MATERIAL ANALYZER TH2512
IDC	1.5A (Max)	100KHz 0.1V	V	DC RESISTANCE METER: TH2816B+1320
TR	1:1 ±2%	100KHz 0.1V	V	WK3260
HI-POT	1~2=4-3:300VAC,5mA,2SEC		V	DC RESISTANCE METER: 9071A

**(4)TURNS: 6TS(REF)**

**(5)MATERIAL LIST**

ITEM	MATERIAL	DESCRIPTION
1	CORE	T4*2.4*2.7-C
2	WIRE	Ø0.25mm×2 (2UEW ) N+R
3	BASE	4PIN
4	VARNISH	Transparent

	APPROVED	CHECKED	DRAWN BY
	姜杰文	姜法寶	王艷

## TEST DATA FOR PREPRODUCTION SAMPLES

CUSTOMER:		Part No.	302-99016	Test Q'ty:	10	PCS				
CUST P/N.		Description:	TM392225N-700-B	Date:	2019.10.14					
MEASURE ITEM	L	DCR	A	B	C	D	E			
	( $\mu$ H)	(m $\Omega$ )	(mm)	(mm)	(mm)	(mm)	(mm)			
SPECIFIC	70.0	50.0	7.1	6.1	3.2	2.54	5.08			
SUGGEST	MIN	Max	$\pm 0.5$	$\pm 0.5$	$\pm 0.5$	$\pm 0.5$	$\pm 0.5$			
1	94	25.6	7.42	6.25	3.45	2.56	5.10			
2	96	26.3	7.45	6.26	3.42	2.53	5.15			
3	98	26.5	7.43	6.28	3.42	2.58	5.16			
4	95	25.6	7.41	6.24	3.45	2.46	5.19			
5	96	26.2	7.48	6.25	3.41	2.53	5.18			
6	95	26.8	7.41	6.10	3.35	2.58	5.14			
7	94	26.3	7.42	6.25	3.42	2.56	5.18			
8	98	26.4	7.46	6.08	3.46	2.57	5.16			
9	96	26.8	7.43	6.25	3.43	2.53	5.17			
10	95	26.3	7.50	6.28	3.43	2.52	5.20			
X										
R										
TEST CONDITION	INSTRUMENTS:	WK3260				AT:	100KHz	0.1V		
	ENVIORNENTS:	TEMP:25 degree HUMDITY :65%								
	STORAGE TEMPERATURE RANGE	-40 $^{\circ}$ C~+125 $^{\circ}$ C								
	OPERATING TEMPERATURE RANGE	-40 $^{\circ}$ C~+125 $^{\circ}$ C								
REMARK:					APPROVED	CHECKED	DRAWN BY			
					姜杰文	姜法寶	王艷			

**MINGSTAR ELECTRONIC CORP.**

## X-ON Electronics

Largest Supplier of Electrical and Electronic Components

*Click to view similar products for [Common Mode Chokes / Filters](#) category:*

*Click to view products by [MINGSTAR](#) manufacturer:*

Other Similar products are found below :

[PE-64683](#) [RD5122-6-9M6](#) [RD6137-6-7M5](#) [RD8147-16-3M0](#) [ST6118T-R](#) [FE3X025-10-7NL](#) [RD7147-25-0M7](#) [TCM0806G-350-2P-T](#)  
[TCM0806G-650-2P-T](#) [IND-0110](#) [UAL21VR0802000](#) [UALSC023000000](#) [UALSC1020JH000](#) [UALSU10VD20010](#) [UALSU9VD070100](#) [36-00037](#) [UALW21HS072450](#) [UALSU9H0208000](#) [UAL24VK06450CH](#) [PLT10HH501100PNB](#) [PLT10HH401100PNB](#) [PLT10HH1026R0PNB](#)  
[36-00029-01](#) [PE-67531](#) [TLH10UB](#) [113 0R5](#) [2752045447](#) [7351V](#) [CMF16-153131](#) [RD7147-6-6M0](#) [T8116NLT](#) [FE2X10-4-2NL](#) [36-00029-07](#)  
[T8003NLT](#) [CTX01-13663](#) [CTX66-19521-R](#) [RC212-0.5-10M](#) [RC112-0.4-15M](#) [RC212-0.6-6M8](#) [RC212-0.4-15M](#) [RC112-0.3-30M](#)  
[WTCF2012Z0M751PB](#) [PH9408.814NLT](#) [PAC6006.364NLT](#) [PAC6006.444NLT](#) [PAC6006.204NLT](#) [PH9407.204NLT](#) [PAC6006.264NLT](#)  
[PH9408.105NLT](#) [PH9408.494NLT](#) [PAC6006.104NLT](#)