

Flat Gain, High IP3

# Monolithic Amplifier

GVA-60+

50Ω 0.01 to 5 GHz

## The Big Deal

- Excellent Gain Flatness and Return Loss over 50-1000 MHz
- High IP3 vs. DC Power consumption
- Broadband High Dynamic Range without external Matching Components



SOT-89 PACKAGE

## Product Overview

GVA-60+ (RoHS compliant) is a wideband amplifier fabricated using HBT technology and offers ultra flat gain over a broad frequency range and with high IP3. In addition, the GVA-60+, has good input and output return loss over a broad frequency range without the need for external matching components and has demonstrated excellent reliability. It has repeatable performance from lot to lot and is enclosed in a SOT-89 package for very good thermal performance.

## Key Features

Feature	Advantages
Broad Band: 0.01 to 5.0 GHz	Broadband covering a broad range of IF frequencies and the primary wireless communications bands: Cellular, PCS, LTE, WiMAX
High IP3 vs. DC power Consumption 40 dBm typical at 0.05 GHz 35 dBm typical at 0.85 GHz	The GVA-60+ matches industry leading IP3 performance relative to device size and power consumption. The combination of the design and HBT Structure provides enhanced linearity over a broad frequency range as evidence in the IP3 being typically 16 dB above the P 1dB point to 0.85 GHz. This feature makes this amplifier ideal for use in: <ul style="list-style-type: none"><li>• Driver amplifiers for complex waveform up converter paths</li><li>• Drivers in linearized transmit systems</li></ul>
Outstanding Input Return Loss up to 1 GHz: better than 20 dB.	The GVA-60+ provides excellent input return loss: 20 dB up to 1 GHz and 16.8 dB up to 2 GHz making this amplifier an ideal IF gain block that can be embedded in RF chains that have highly reflective components, and still maintain good system performance
No External Matching Components Required 10-24 dB to 2 GHz	GVA-60+ provides good Input and Output Return Loss without the need for any external matching components

### Notes

- A. Performance and quality attributes and conditions not expressly stated in this specification document are intended to be excluded and do not form a part of this specification document.  
B. Electrical specifications and performance data contained in this specification document are based on Mini-Circuit's applicable established test performance criteria and measurement instructions.  
C. The parts covered by this specification document are subject to Mini-Circuits standard limited warranty and terms and conditions (collectively, "Standard Terms"); Purchasers of this part are entitled to the rights and benefits contained therein. For a full statement of the Standard Terms and the exclusive rights and remedies thereunder, please visit Mini-Circuits' website at [www.minicircuits.com/MCLStore/terms.jsp](http://www.minicircuits.com/MCLStore/terms.jsp)



Flat Gain, High IP3

# Monolithic Amplifier

0.01-5 GHz

## Product Features

- Gain, 20 dB typ. at 0.4 GHz
- Gain flatness:  $\pm 0.3$  dB over 50-1000 MHz
- Excellent Input Return Loss, up to 2 GHz, 17-24 dB
- High Pout, P1dB 20.0 dBm typ. at 0.4 GHz
- High IP3, 39 dBm typ. at 400 MHz
- Excellent ESD protection, Class 1C for HBM
- No external matching components required

## Typical Applications

- Base station infrastructure
- Portable Wireless
- CATV & DBS
- MMDS & Wireless LAN
- LTE



Generic photo used for illustration purposes only

CASE STYLE: DF782

## GVA-60+

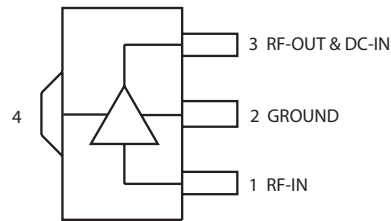
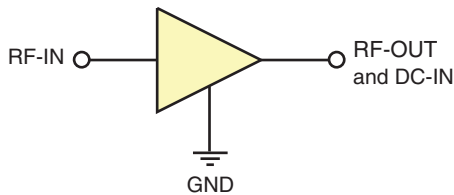
**+RoHS Compliant**

The +Suffix identifies RoHS Compliance. See our web site for RoHS Compliance methodologies and qualifications

## General Description

GVA-60+ (RoHS compliant) is an advanced wideband amplifier fabricated using HBT technology and offers flat gain over a broad frequency range and with high IP3. In addition, the GVA-60+ has excellent input and output return loss over a broad frequency range without the need for external matching components. It has repeatable performance from lot to lot and is enclosed in a SOT-89 package for very good thermal performance.

## simplified schematic and pin description



Function	Pin Number	Description
RF IN	1	RF input pin. This pin requires the use of an external DC blocking capacitor chosen for the frequency of operation.
RF-OUT and DC-IN	3	RF output and bias pin. DC voltage is present on this pin; therefore a DC blocking capacitor is necessary for proper operation. An RF choke is needed to feed DC bias without loss of RF signal due to the bias connection, as shown in "Recommended Application Circuit", Fig. 2
GND	2,4	Connections to ground. Use via holes as shown in "Suggested Layout for PCB Design" to reduce ground path inductance for best performance.

### Notes

- A. Performance and quality attributes and conditions not expressly stated in this specification document are intended to be excluded and do not form a part of this specification document.  
 B. Electrical specifications and performance data contained in this specification document are based on Mini-Circuit's applicable established test performance criteria and measurement instructions.  
 C. The parts covered by this specification document are subject to Mini-Circuits standard limited warranty and terms and conditions (collectively, "Standard Terms"); Purchasers of this part are entitled to the rights and benefits contained therein. For a full statement of the Standard Terms and the exclusive rights and remedies thereunder, please visit Mini-Circuits' website at [www.minicircuits.com/MCLStore/terms.jsp](http://www.minicircuits.com/MCLStore/terms.jsp)



Electrical Specifications<sup>1</sup> at 25°C and Vcc=5V, unless noted

Parameter	Condition (GHz)	Min.	Typ.	Max.	Units
Frequency Range		0.01		5	GHz
Gain	0.05	18.3	20.3	22.4	dB
	0.4	—	20.1	—	
	0.85	—	19.8	—	
	2.0	16.6	18.4	20.3	
	3.0	—	17.0	—	
	4.0	—	15.4	—	
Input Return Loss	0.05	—	23.1	—	dB
	0.4	—	24.0	—	
	0.85	16.0	21.2	—	
	2.0	—	16.8	—	
	3.0	—	11.5	—	
	4.0	—	8.9	—	
Output Return Loss	0.05	—	11.2	—	dB
	0.4	—	11.8	—	
	0.85	10.0	12.0	—	
	2.0	—	9.6	—	
	3.0	—	8.0	—	
	4.0	—	7.5	—	
Reverse Isolation	2.0	—	25.2	—	dB
Output Power at 1dB Compression	0.05	0.05	20.1	—	dBm
	0.4	0.4	19.9	—	
	0.85	0.85	19.5	—	
	2.0	—	17.9	—	
	3.0	—	14.6	—	
	4.0	—	12.1	—	
Output IP3	0.05	—	40.5	—	dBm
	0.4	—	39.3	—	
	0.85	—	35.6	—	
	2.0	—	28.9	—	
	3.0	—	24.5	—	
	4.0	—	21.5	—	
Noise Figure	0.05	—	3.9	5.9	dB
	0.4	—	4.0	6.0	
	0.85	—	4.0	—	
	2.0	—	4.1	—	
	3.0	—	4.1	—	
	4.0	—	4.3	—	
Device Operating Voltage		4.8	5.0	5.2	V
Device Operating Current			92.0	99.0	mA
Device Current Variation vs. Temperature <sup>3</sup>			172		µA/°C
Device Current Variation vs. Voltage			0.041		mA/mV
Thermal Resistance, junction-to-ground lead			37		°C/W

<sup>(1)</sup> Measured on Mini-Circuits Characterization test board TB-313. See Characterization Test Circuit (Fig. 1)

<sup>(2)</sup> Low Frequency cut-off determined by external coupling capacitors and external bias choke.

<sup>(3)</sup> Current at 85°C — Current at -45°C/130

Absolute Maximum Ratings

Parameter	Ratings
Operating Temperature (ground lead)	-40°C to 85°C
Storage Temperature	-65°C to 150°C
Operating Current at 5V	140 mA
Power Dissipation	0.7 W
Input Power (CW)	28 dBm (10-1000 MHz, +5 minutes) 13 dBm (1000-5000 MHz, +5 minutes) 8 dBm (continuous) 28 dBm (10-1000 MHz, +5 minutes)
DC Voltage on Pin 3	6V

Permanent damage may occur if any of these limits are exceeded. Electrical maximum ratings are not intended for continuous normal operation. For continuous operation, do not exceed 5.2V device voltage.

Notes

- A. Performance and quality attributes and conditions not expressly stated in this specification document are intended to be excluded and do not form a part of this specification document.
- B. Electrical specifications and performance data contained in this specification document are based on Mini-Circuit's applicable established test performance criteria and measurement instructions.
- C. The parts covered by this specification document are subject to Mini-Circuits standard limited warranty and terms and conditions (collectively, "Standard Terms"); Purchasers of this part are entitled to the rights and benefits contained therein. For a full statement of the Standard Terms and the exclusive rights and remedies thereunder, please visit Mini-Circuits' website at [www.minicircuits.com/MCLStore/terms.jsp](http://www.minicircuits.com/MCLStore/terms.jsp)



### Characterization Test Circuit

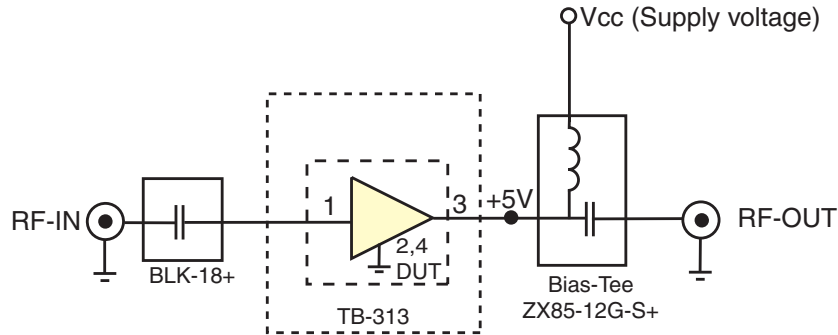


Fig 1. Block Diagram of Test Circuit used for characterization. (DUT soldered on Mini-Circuits Characterization test board TB-313) Gain, Return loss, Output power at 1dB compression (P1 dB) , output IP3 (OIP3) and noise figure measured using Agilent's N5242A PNA-X microwave network analyzer.

**Conditions:**

1. Gain and Return loss: Pin= -25dBm
2. Output IP3 (OIP3): Two tones, spaced 1 MHz apart, -18 dBm/tone at input.

### Recommended Application Circuit

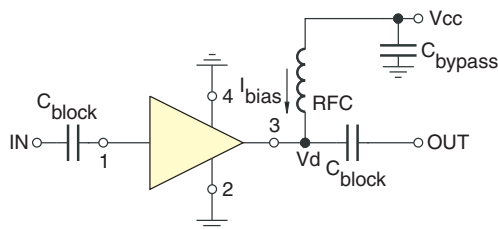
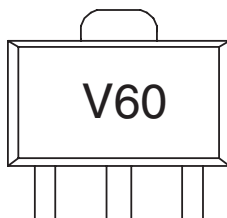


Fig 2. Test Board includes case, connectors, and components soldered to PCB

### Product Marking



Marking may contain other features or characters for internal lot control

**Notes**

- A. Performance and quality attributes and conditions not expressly stated in this specification document are intended to be excluded and do not form a part of this specification document.
- B. Electrical specifications and performance data contained in this specification document are based on Mini-Circuit's applicable established test performance criteria and measurement instructions.
- C. The parts covered by this specification document are subject to Mini-Circuits standard limited warranty and terms and conditions (collectively, "Standard Terms"); Purchasers of this part are entitled to the rights and benefits contained therein. For a full statement of the Standard Terms and the exclusive rights and remedies thereunder, please visit Mini-Circuits' website at [www.minicircuits.com/MCLStore/terms.jsp](http://www.minicircuits.com/MCLStore/terms.jsp)



Additional Detailed Technical Information	
<i>additional information is available on our dash board. To access this information <a href="#">click here</a></i>	
<b>Performance Data</b>	Data Table
	Swept Graphs
	S-Parameter (S2P Files) Data Set (.zip file)
<b>Case Style</b>	DF782 (SOT 89) <i>Plastic package, exposed paddle, lead finish: Matte-Tin</i>
<b>Tape &amp; Reel</b>	F55
<b>Standard quantities available on reel</b>	<i>7" reels with 20, 50, 100, 200, 500 or 1K devices</i>
<b>Suggested Layout for PCB Design</b>	PL-255
<b>Evaluation Board</b>	TB-596-60+
<b>Environmental Ratings</b>	ENV08T1

### ESD Rating

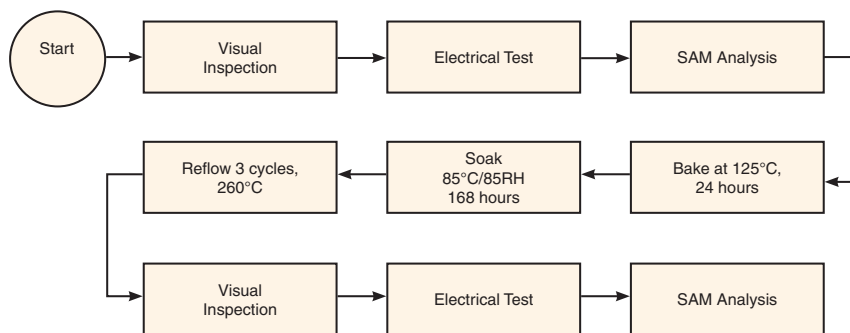
Human Body Model (HBM): Class 1C (1000 to <2000V) in accordance with ANSI/ESD STM 5.1 - 2001

Machine Model (MM): Class M2 (100 to <200V) in accordance with ANSI/ESD STM5.2-1999

### MSL Rating

Moisture Sensitivity: MSL1 in accordance with IPC/JEDEC J-STD-020D

### MSL Test Flow Chart



**Notes**

- A. Performance and quality attributes and conditions not expressly stated in this specification document are intended to be excluded and do not form a part of this specification document.
- B. Electrical specifications and performance data contained in this specification document are based on Mini-Circuit's applicable established test performance criteria and measurement instructions.
- C. The parts covered by this specification document are subject to Mini-Circuits standard limited warranty and terms and conditions (collectively, "Standard Terms"); Purchasers of this part are entitled to the rights and benefits contained therein. For a full statement of the Standard Terms and the exclusive rights and remedies thereunder, please visit Mini-Circuits' website at [www.minicircuits.com/MCLStore/terms.jsp](http://www.minicircuits.com/MCLStore/terms.jsp)



## X-ON Electronics

Largest Supplier of Electrical and Electronic Components

*Click to view similar products for [RF Amplifier](#) category:*

*Click to view products by [Mini-Circuits](#) manufacturer:*

Other Similar products are found below :

[A82-1](#) [BGA622H6820XTSA1](#) [BGA 728L7 E6327](#) [BGB719N7ESDE6327XTMA1](#) [HMC397-SX](#) [HMC405](#) [HMC561-SX](#) [HMC8120-SX](#)  
[HMC8121-SX](#) [HMC-ALH382-SX](#) [HMC-ALH476-SX](#) [SE2433T-R](#) [SMA3101-TL-E](#) [SMA39](#) [A66-1](#) [A66-3](#) [A67-1](#) [LX5535LQ](#) [LX5540LL](#)  
[MAAM02350](#) [HMC3653LP3BETR](#) [HMC549MS8GETR](#) [HMC-ALH435-SX](#) [SMA101](#) [SMA32](#) [SMA411](#) [SMA531](#) [SST12LP17E-XX8E](#)  
[SST12LP19E-QX6E](#) [WPM0510A](#) [HMC5929LS6TR](#) [HMC5879LS7TR](#) [HMC1126](#) [HMC1087F10](#) [HMC1086](#) [HMC1016](#) [SMA1212](#)  
[MAX2689EWS+T](#) [MACS-007802-0M1RS0](#) [MAAMSS0041TR](#) [MAAM37000-A1G](#) [CHA5115-QDG](#) [SMA70-2](#) [SMA4011](#) [A231](#) [HMC-](#)  
[AUH232](#) [LX5511LQ](#) [LX5511LQ-TR](#) [HMC7441-SX](#) [HMC-ALH310](#)