

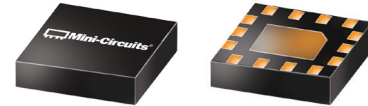
SP6T RF Switch

JSW6-33DR+

50Ω 5 to 2700 MHz High Power 3W

The Big Deal

- High Port count in super small size
- Single Positive Supply Voltage, 2.5 – 4.8V
- High Power P0.1dB, 3W typ.
- Low Insertion Loss, 0.6 dB at 1 GHz



CASE STYLE: MT1817

Product Overview

JSW6-33DR+ is a high power reflective SP6T RF switch, with reflective short on output ports in the off condition. Made using Silicon-on-Insulator process, it has very high IP3, a built-in CMOS driver and negative voltage generator. Its tiny 2x2mm, 14-lead case enables wideband performance in tight spaces and dense PCB layouts.

Key Features

Feature	Advantages
Wideband operation 5-2700 MHz	Enables a single component to be used in a vast array of applications from VHF up to 2.7 GHz.
High IIP3: 55 dBm typ.	Results in little or negligible inter-modulation generation, meeting requirements for digital communication signals.
Low Loss, 0.6 dB at 1 GHz High input power, 3W	Low loss and high power capability enable a single switch to be used for a variety of applications, saving inventory.
Built in negative voltage generator	Operates with a single positive supply voltage; no need for DC blocking capacitors, unless external DC is present at the RF ports.
Built-in CMOS driver	No need for external driver, saving PCB space and cost.
Tiny MCLP package 2 x 2mm, 14-lead	Provides low inductance, repeatable transitions, and excellent thermal contact to PCB.



SP6T RF Switch

50Ω 5-2700 MHz

Reflective RF Switch with internal driver.

Single Supply Voltage, +2.5V to +4.8V, High Power 3W

Product Features

- High Isolation, 37 dB typ. at 1 GHz
- Low insertion loss, 0.6 dB typ. at 1 GHz
- High IP3, 59 dBm typ. at 1 GHz
- Low current consumption, 40 μA typ.
- High Power, P0.1dB 3W typ.



JSW6-33DR+

CASE STYLE: MT1817

Typical Applications

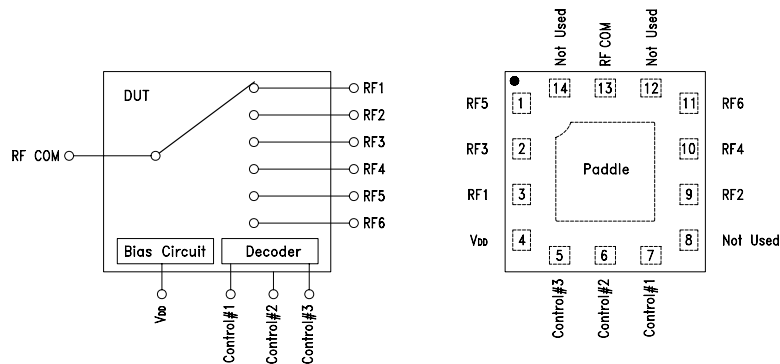
- CATV systems
- SATCOM system
- Automated Test Stations
- Telecom systems

+RoHS Compliant
The +Suffix identifies RoHS Compliance. See our web site for RoHS Compliance methodologies and qualifications

General Description

JSW6-33DR+ is a high power 3W reflective SPDT switch with integral driver, operates with single positive supply voltage while consuming, 40 μA typical. It has been designed for very wideband operation of 5-2700 MHz. It is packaged in a tiny 14-lead 2mm x 2mm x 0.55mm package and is rated MSL1 and class 1B ESD.

Simplified Schematic and Pad Description



Function	Pad Number	Description
RF COM	13	RF Common/ SUM Port
RF1	3	RF Out #1/In Port #1
RF2	9	RF Out #2/In Port #2
RF3	2	RF Out #3/In Port #3
RF4	10	RF Out #4/In Port #4
RF5	1	RF Out #5/In Port #5
RF6	11	RF Out #6/In Port #6

Function	Pad Number	Description
Control #1	7	Control IN #1
Control #2	6	Control IN #2
Control #3	5	Control IN #3
VDD	4	Supply Voltage
GND	Paddle	Ground
Not Used	8,12,14	No Connection

RF Electrical Specifications⁽¹⁾, 5 - 2700 MHz, $T_{AMB}=25^{\circ}\text{C}$, $V_{DD}=+2.5$ to 4.8V

Parameter	Condition (MHz)	Min.	Typ.	Max.	Units
Frequency Range		5		2700	MHz
Insertion Loss ⁽²⁾	5 to 1000	—	0.6	0.8	dB
	1000 to 2000	—	0.6	0.8	
	2000 to 2700	—	0.6	0.8	
Isolation between Common Port and RF1 to RF6 Ports ⁽³⁾	5 to 1000	35	37	—	dB
	1000 to 2000	28	30	—	
	2000 to 2700	25	27	—	
Return Loss (ON STATE) RF-COM, RF1 to RF6 Ports	5 to 1000	—	15.5	—	dB
	1000 to 2000	—	14.2	—	
	2000 to 2700	—	14.3	—	
Input IP3	$V_{DD}=2.5$ to 4.8V	5 to 500	—	55	dBm
	$V_{DD}=3.0\text{V}$	1000 to 2700	—	59	
0.1dB Input Compression ⁽⁴⁾	5 to 2700	—	35	—	dBm

DC Electrical Specifications

Parameter	Min.	Typ.	Max.	Units
VDD, Supply Voltage	2.5	3.0	4.8	V
Supply Current ($V_{DD} = 3\text{V}$)		40		μA
Control Voltage Low	0		0.4	V
Control Voltage High	1.35	1.8	2.7	V
Control Current		0.5	1.0	μA
Shutdown Current at $V_{DD} = 3\text{V}$		5		μA

Notes:

- As measured in Mini-Circuit's test board TB-724+ (see Characterization Test Circuit, Fig.1).
- Insertion loss values are de-embedded from test board loss.
- Isolations for other port combinations, see Tables 1 & 2
- Do not exceed RF input power as shown in Absolute Maximum Rating table.

Switching Specifications

Parameter	Min.	Typ.	Max.	Units
Rise/Fall Time (10 to 90% or 90 to 10% RF)	—	0.42 (Rise Time) 0.84 (Fall Time)	—	μSec
Switching Time, 50% CTRL to 90/10% RF	—	1.9 (ON Time) 1.4 (OFF Time)	—	μSec
Video Feedthrough, (control 0 to 1.65V, freq.=10 KHz)	—	3.0	—	mV _{p-p}

Table 1. Isolation Matrix (RF-COM to RF1 to RF6 Ports)

RF Com to Port	Frequency (GHz)	Isolation, Typ. (dB)					
		"On" Port					
		RF1	RF2	RF3	RF4	RF5	RF6
RF1	0.01-1.0	-	49	37	48	53	49
RF1	1.0-2.0	-	43	30	42	38	43
RF1	2.0-2.7	-	40	28	38	34	39
RF2	0.01-1.0	48	-	48	38	48	50
RF2	1.0-2.0	43	-	42	30	42	38
RF2	2.0-2.7	39	-	38	28	39	33
RF3	0.01-1.0	39	44	-	44	38	45
RF3	1.0-2.0	32	38	-	38	30	39
RF3	2.0-2.7	29	35	-	35	28	36
RF4	0.01-1.0	44	39	44	-	44	37
RF4	1.0-2.0	38	31	38	-	39	30
RF4	2.0-2.7	35	28	35	-	36	27
RF5	0.01-1.0	44	39	44	40	-	40
RF5	1.0-2.0	33	34	31	34	-	34
RF5	2.0-2.7	28	31	27	31	-	31
RF6	0.01-1.0	39	41	39	43	40	-
RF6	1.0-2.0	33	32	34	31	34	-
RF6	2.0-2.7	31	28	31	27	31	-

Table 2. Isolation Matrix (Between Output Ports)

	Frequency (GHz)	Isolation, Typ. (dB)					
		"On" Port					
		RF1	RF2	RF3	RF4	RF5	RF6
From Port to Port							
RF1	0.01-1.0	-	54	29	57	37	55
RF1	1.0-2.0	-	45	24	47	32	46
RF1	2.0-2.7	-	41	22	42	28	42
RF2	0.01-1.0	54	-	57	29	55	37
RF2	1.0-2.0	44	-	46	24	45	32
RF2	2.0-2.7	40	-	41	22	41	29
RF3	0.01-1.0	30	58	-	59	29	62
RF3	1.0-2.0	25	46	-	46	24	46
RF3	2.0-2.7	22	43	-	43	22	43
RF4	0.01-1.0	58	30	58	-	62	30
RF4	1.0-2.0	45	25	46	-	46	24
RF4	2.0-2.7	42	22	42	-	42	22
RF5	0.01-1.0	44	58	32	45	-	48
RF5	1.0-2.0	37	45	26	38	-	40
RF5	2.0-2.7	32	42	23	37	-	37
RF6	0.01-1.0	45	44	46	32	48	-
RF6	1.0-2.0	38	37	38	26	39	-
RF6	2.0-2.7	36	32	36	23	37	-

Absolute Maximum Ratings⁽⁵⁾

Parameter	Ratings
Operating Temperature	-40°C to +85°C
Storage Temperature	-55°C to 150°C
V _{DD} , Supply Voltage	5.0V
Voltage Control	-0.5V Min. 3.0 Max.
RF input power ⁶	5 Watt

5. Operation of this device above any of these conditions may cause permanent damage.
 6. Derate linearly to 2.5W at 85°C.

Truth Table⁽⁷⁾ (State of control voltage selects the desired switch state)

State of Control Voltages			RF Common to					
Control #1	Control #2	Control #3	RF1	RF2	RF3	RF4	RF5	RF6
L	L	L	ON	—	—	—	—	—
L	L	H	—	ON	—	—	—	—
L	H	L	—	—	ON	—	—	—
L	H	H	—	—	—	ON	—	—
H	L	L	—	—	—	—	ON	—
H	L	H	—	—	—	—	—	ON
H	H	H	Shutdown					

7. Any control state not defined above, places the switch in an undefined state, but will not damage the switch.

Characterization Test Circuit

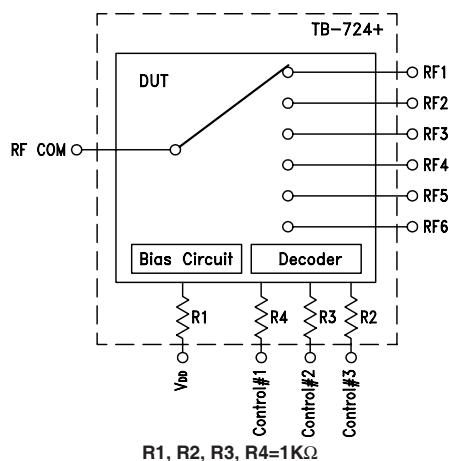


Figure 1: Block Diagram Of Test Circuit Used For Characterization. (DUT soldered on Mini-Circuits' TB-724+)

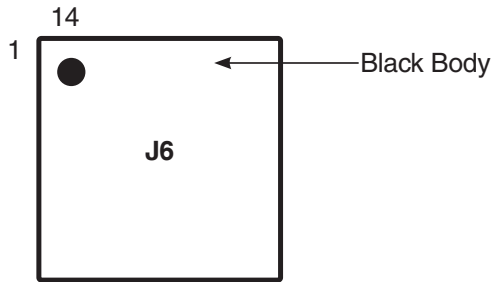
Test Equipment:

- For Insertion loss, Isolation, Return loss:**
Agilent's N5230A Network Analyzer , E3631A power supply.
- For Switching Time and Video Feed through**
Agilent's HP81110A pulse generator, 54833A Oscilloscope, E3631A power supply.
Agilent's N9020A Spectrum Analyzer , E8257D Generator, E3631A power supply
- For Compression:**
R&S Network Analyzer ZVA24, E3631A power supply.

Conditions:

- V_{DD}= +2.5, +3.0 and +4.8V, Control= 0 and 1.35V.
- For Insertion loss, isolation and return loss:** Pin=0 dBm
- For Input IP3:** Pin=+10dBm/tone at V_{DD}=3V
- For Switching time:** RF frequency: DC at 200mV, Control Frequency: 10 KHz and 0 and +8V.

Product Marking



Recommended Application Circuit

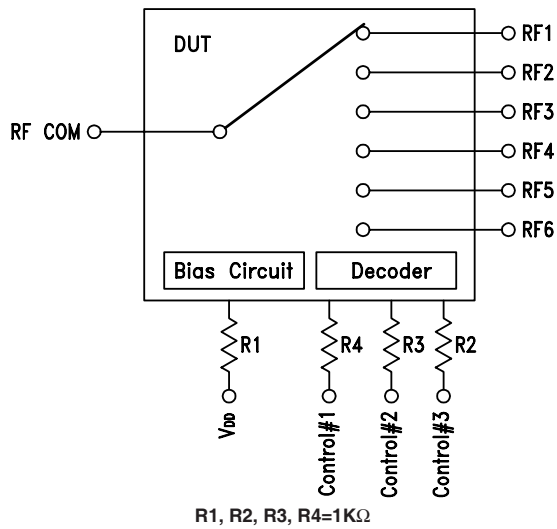


Fig. 2: Evaluation board includes case, connectors and components soldered to PCB.

Additional Detailed Technical Information	
<i>additional information is available on our dash board. To access this information click here</i>	
Performance Data	Data Table
	Swept Graphs
Case Style	MT1817 <i>Plastic package; Lead finish: Matte Tin</i>
Tape & Reel	F108
Standard quantities available on reel	<i>7" reels with 20, 50, 100, 200, 500, 1K or 3K devices</i>
Suggested Layout for PCB Design	PL-416
Evaluation Board	TB-724+
Environmental Ratings	ENV75

ESD Rating

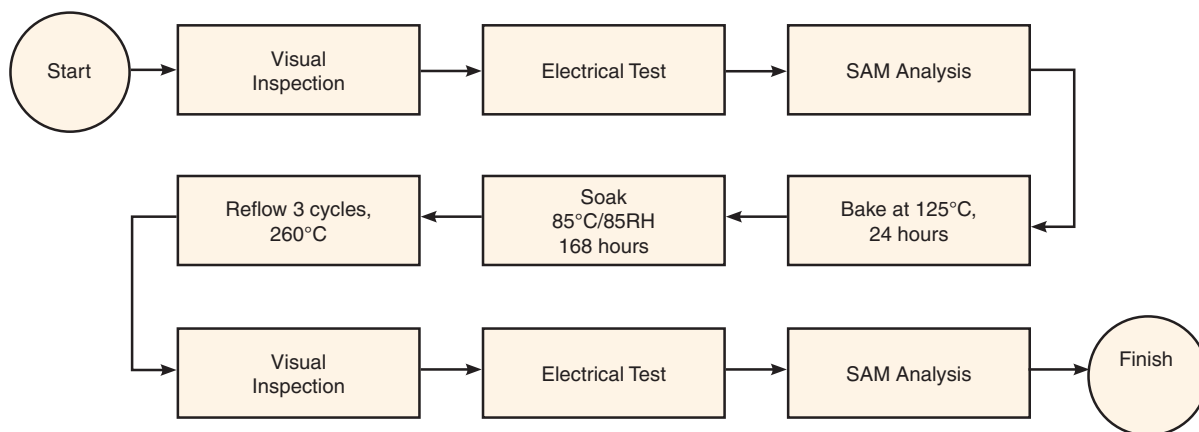
Human Body Model (HBM): Class 1B (500 to < 1000V) in accordance with JESD22-A114

Machine Model (MM): Class A (Pass 100V) in accordance with JESD22-A115

MSL Rating

Moisture Sensitivity: MSL1 in accordance with IPC/JEDEC J-STD-020D

MSL Test Flow Chart



Additional Notes

- A. Performance and quality attributes and conditions not expressly stated in this specification document are intended to be excluded and do not form a part of this specification document.
- B. Electrical specifications and performance data contained in this specification document are based on Mini-Circuit's applicable established test performance criteria and measurement instructions.
- C. The parts covered by this specification document are subject to Mini-Circuits standard limited warranty and terms and conditions (collectively, "Standard Terms"); Purchasers of this part are entitled to the rights and benefits contained therein. For a full statement of the Standard Terms and the exclusive rights and remedies thereunder, please visit Mini-Circuits' website at www.minicircuits.com/MCLStore/terms.jsp

X-ON Electronics

Largest Supplier of Electrical and Electronic Components

Click to view similar products for [RF Switch ICs](#) category:

Click to view products by [Mini-Circuits](#) manufacturer:

Other Similar products are found below :

[MASW-004100-11930W](#) [MASW-008853-TR3000](#) [BGS13SN8E6327XTSA1](#) [BGSX210MA18E6327XTSA1](#) [SKY13446-374LF](#) [SW-227-PIN](#)
[CG2185X2](#) [CG2415M6](#) [MA4SW410](#) [MA4SW410B-1](#) [MASW-002102-13580G](#) [MASW-008955-TR3000](#) [TGS4307](#)
[BGS1414MN20E6327XTSA1](#) [BGS1515MN20E6327XTSA1](#) [BGSA11GN10E6327XTSA1](#) [BGSX28MA18E6327XTSA1](#) [HMC199AMS8](#)
[HMC986A](#) [SKY13374-397LF](#) [SKY13453-385LF](#) [CG2415M6-C2](#) [HMC986A-SX](#) [SW-314-PIN](#) [UPG2162T5N-E2-A](#) [SKY13416-485LF](#)
[MASWSS0204TR-3000](#) [MASWSS0201TR](#) [MASW-007588-TR3000](#) [MASW-004103-13655P](#) [MASW-003102-13590G](#) [MASWSS0202TR-](#)
[3000](#) [MA4SW310B-1](#) [MA4SW310](#) [MA4AGSW4](#) [MA4SW210](#) [MA4SW110](#) [SW-313-PIN](#) [SKY13321-360LF](#) [SKY13405-490LF](#) [BGSF](#)
[18DM20 E6327](#) [SKY13415-485LF](#) [MMS008PP3](#) [BGS13PN10E6327XTSA1](#) [SKY13319-374LF](#) [BGS14PN10E6327XTSA1](#) [SKY12213-](#)
[478LF](#) [SKY13404-466LF](#) [MASW-011060-TR0500](#) [SKYA21024](#)