



Transformers

50Ω 0.3 to 3000 MHz



FEATURES

- Very wide bandwidth
- Termination finish, gold over nickel plated
- Leadless surface mount
- Miniature size 0.15x0.15 in.
- Aqueous washable
- Low cost

MINI-CIRCUITS DESIGNER'S KITS
SPEED UP
THE SOLUTION

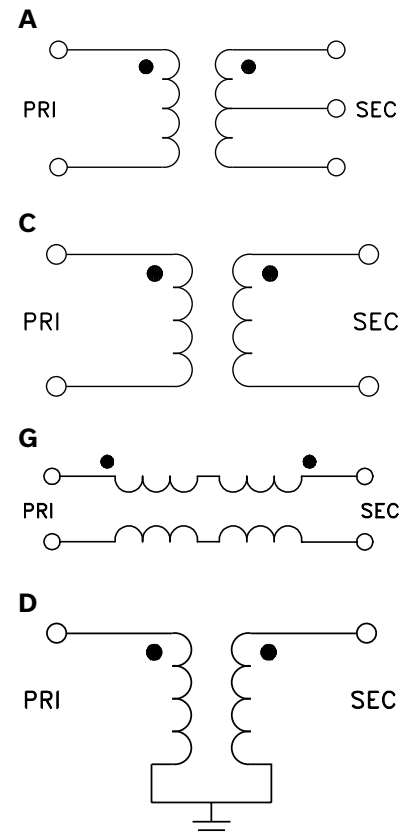


K1-TCG2+ ELECTRICAL SPECIFICATIONS (15 models, 10 of each, 150 total)

Model	Ω Ratio	Frequency (MHz)	Insertion Loss*			Configuration
			3dB MHz	2dB MHz	1dB MHz	
TC1-1TG2+	1	0.40-500	0.40-500	0.50-300	1-100	A
TC1-1G2+	1	1.5-500	1.5-500	2.5-400	5-350	C
TC1-1-13MG2+	1	4.5-3000	2000-3000	1000-2000	4.5-1000	G
TC1-15G2+	1	350-1500	—	350-1000	800-1500	G
TC1.5-1G2+	1.5	0.50-2200	0.50-2200	1-2000	2-1100	D
TC2-1TG2+	2	3-300	—	—	3-300	A
TC3-1TG2+	3	5-300	—	—	5-300	A
TC4-1TG2+	4	0.5-300	—	0.50-300	1.5-100	A
TC4-1WG2+	4	3-800	3-800	5-400	10-100	A
TC4-14G2+	4	200-1400	200-1400	300-1300	800-1100	A
TC8-1G2+	8	2-500	2-500	5-400	10-100	A
TC9-1G2+	9	2-200	2-200	3-100	5-40	A
TC16-1TG2+	16	20-300	20-300	30-200	50-150	A
TC4-11G2+	50/12.5	2-1100	—	2-1100	5-700	D
TC9-1-75G2+	75/8	0.30-475	0.30-475	0.50-450	0.90-370	D

* Insertion loss is referenced to mid-band loss

CONFIGURATIONS



X-ON Electronics

Largest Supplier of Electrical and Electronic Components

Click to view similar products for [Audio Transformers / Signal Transformers](#) category:

Click to view products by [Mini-Circuits](#) manufacturer:

Other Similar products are found below :

[CX2041NLT](#) [MGPWT-00449-P](#) [PE-64961](#) [H1302FNLT](#) [H5008FNL](#) [H5012FNL](#) [H5020FNLT](#) [H5077NLT](#) [H5084FNLT](#)
[B78476A9558A003](#) [1812WBT2-4](#) [1879479-1](#) [HX2260FNL](#) [HX5014FNL](#) [EX2024FNL](#) [FL1066](#) [T1137NLT](#) [T3012NL](#) [PE-65812FNL](#) [PE-65848FNLT](#) [H1174FNL](#) [H1302FNL](#) [H5015FNL](#) [H5019EFNL](#) [H5062FNLT](#) [CX2047LNL](#) [MGPWT-00059-P](#) [MGPWT-00266-P](#) [MGPWT-00278-P](#) [MGPWT-00431-P](#) [TTC-100](#) [TTC-143-H](#) [TTC-5032-1](#) [BX1194WNLT](#) [HX1234NLT](#) [HX5008FNLT](#) [HX5019FNL](#) [HX5084NL](#) [3-1879385-5](#) [TX1263NLT](#) [4-1879391-0](#) [T1142NL](#) [HX6101FNL](#) [HX5084FNL](#) [HX1148NL](#) [HX5020FNLT](#) [HX5014FNLT](#) [T1124NL](#)
[1879732-1](#) [2-1879391-5](#)