



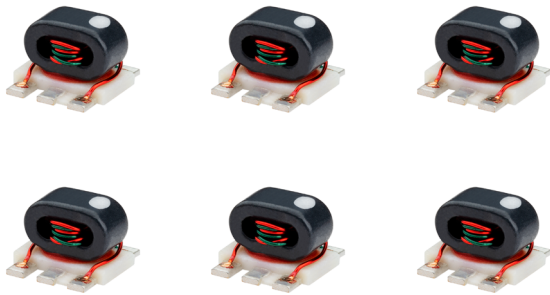
DESIGNER'S KIT K1-TCM+ Transformers

50Ω 0.5 to 2500 MHz

FEATURES

- Very wide bandwidth
- Good return loss
- Plastic base with plated leads
- Miniature size 0.16x0.15 in.
- Aqueous washable
- Low cost

MINI-CIRCUITS DESIGNER'S KITS
SPEED UP
THE SOLUTION

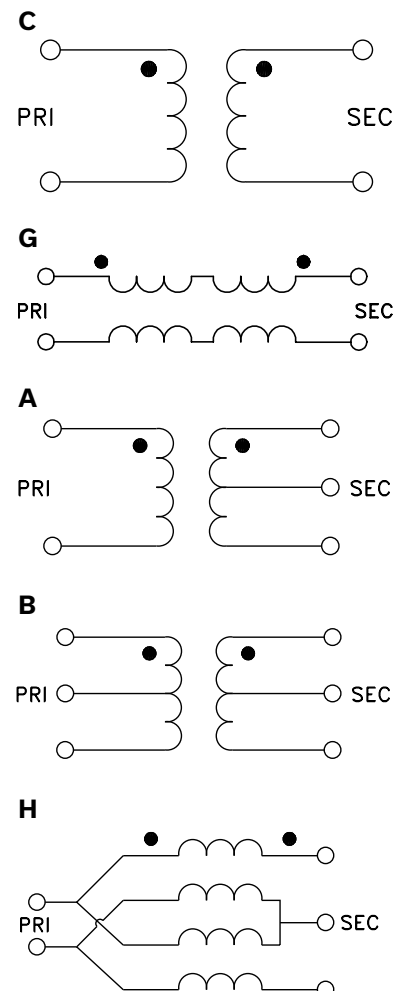


K1-TCM+ ELECTRICAL SPECIFICATIONS (15 models, 10 of each, 150 total)

Model	Ω Ratio	Frequency (MHz)	Insertion Loss*			Configuration
			3dB MHz	2dB MHz	1dB MHz	
TCM1-1+	1	1.5-500	1.5-500	2.5-400	5-350	C
TCML1-11+	1	600-1100	—	600-1100	700-1000	G
TCML1-19+	1	800-1900	800-1900	—	800-1400	G
TCM2-1T+	2	3-300	—	—	3-300	A
TCM3-1T+	3	2-500	—	2-500	5-300	A
TCM4-1W+	4	3-800	3-800	5-400	10-100	A
TCM4-14+	4	200-1400	200-1400	300-1300	800-1000	A
TCM4-6T+	4	1.5-600	1.5-600	2-400	3-350	A
TTCM4-4+	4	0.50-400	0.50-400	1.3-160	5-100	B
TCM4-19+	4	10-1900	10-1900	20-1000	30-700	H
TCM4-25+	4	500-2500	500-2500	700-1500	750-1200	H
TCM8-1+	8	2-500	2-500	5-400	10-100	A
TCM9-1+	9	2-280	2-280	3-150	5-100	A

* Insertion loss is referenced to mid-band loss

CONFIGURATIONS



X-ON Electronics

Largest Supplier of Electrical and Electronic Components

Click to view similar products for [Audio Transformers / Signal Transformers](#) category:

Click to view products by [Mini-Circuits](#) manufacturer:

Other Similar products are found below :

[CX2041NLT](#) [MGPWT-00449-P](#) [PE-64961](#) [H1302FNLT](#) [H5008FNL](#) [H5012FNL](#) [H5020FNLT](#) [H5077NLT](#) [H5084FNLT](#)
[B78476A9558A003](#) [1812WBT2-4](#) [1879479-1](#) [HX2260FNL](#) [HX5014FNL](#) [EX2024FNL](#) [FL1066](#) [T1137NLT](#) [T3012NL](#) [PE-65812FNL](#) [PE-65848FNLT](#) [H1174FNL](#) [H1302FNL](#) [H5015FNL](#) [H5019EFNL](#) [H5062FNLT](#) [CX2047LNL](#) [MGPWT-00059-P](#) [MGPWT-00266-P](#) [MGPWT-00278-P](#) [MGPWT-00431-P](#) [TTC-100](#) [TTC-143-H](#) [TTC-5032-1](#) [BX1194WNLT](#) [HX1234NLT](#) [HX5008FNLT](#) [HX5019FNL](#) [HX5084NL](#) [3-1879385-5](#) [TX1263NLT](#) [4-1879391-0](#) [T1142NL](#) [HX6101FNL](#) [HX5084FNL](#) [HX1148NL](#) [HX5020FNLT](#) [HX5014FNLT](#) [T1124NL](#)
[1879732-1](#) [2-1879391-5](#)