

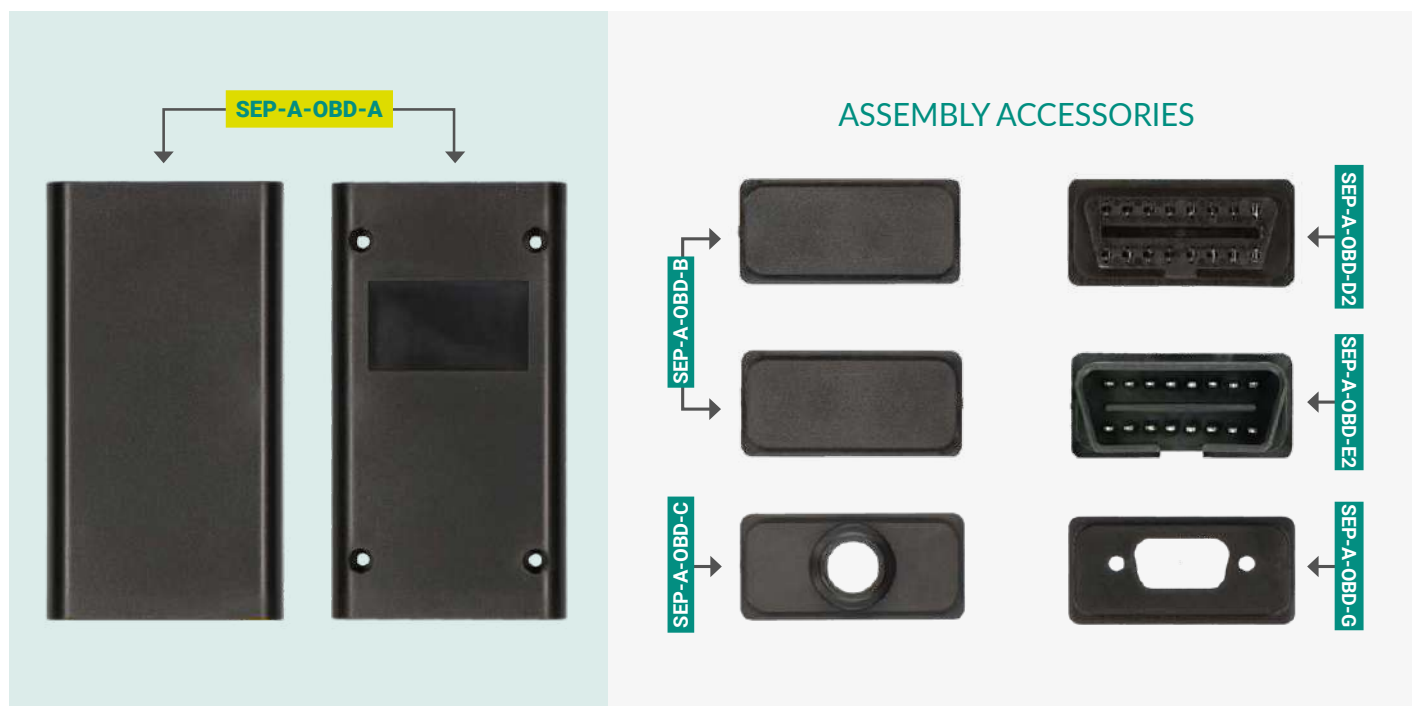
Vers. 1.3

MODULAR CASES AND DIAGNOSTIC CONNECTORS FOR ELECTRONICS



minitools®

BOX SEP-A-OBD-A

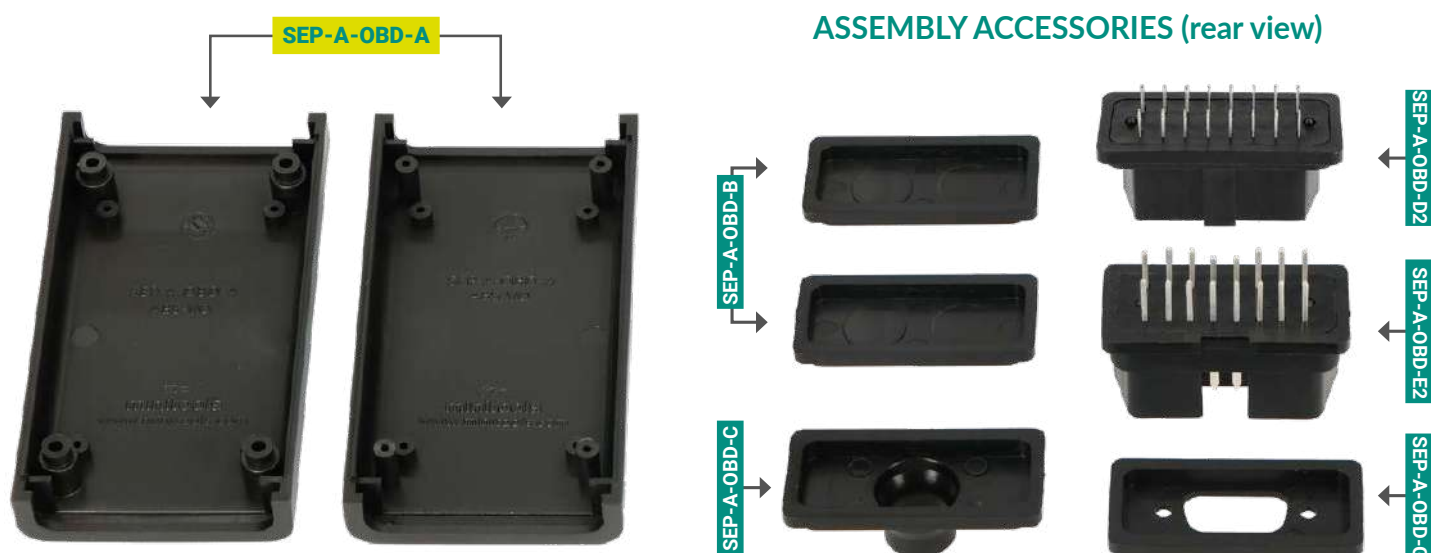


Modular box for various uses, e.g. assembling an OBD2 diagnostic connector.

All box components are **made out of ABS V0 plastic** and offer the following characteristics:

- They are **self-extinguishing**;
- They offer **excellent electrical resistance**, protecting electrical systems or electronic circuits;
- They are **resistant to stripping** if screws are used;
- They are **rigid and sturdy** even at low temperatures.

Colour: Black



Products details





Code	Description	Size	Datasheet
SEP-A-OBD-A	Central box	88 x 48 x 24 mm	Page 11
SEP-A-OBD-B	Side caps (2 pcs)	43 x 21 x 5 mm	Page 16
SEP-A-OBD-C	Cable grommet cap	43 x 21 x 15 mm	Page 17
SEP-A-OBD-D2	Female OBD2	43 x 21 mm	Page 18
SEP-A-OBD-E2	Male OBD2	43 x 21 mm	Page 19
SEP-A-OBD-G	Milled cap for 9 pin D-sub connector	43 x 21 x 5 mm	Page 20

Combinations examples

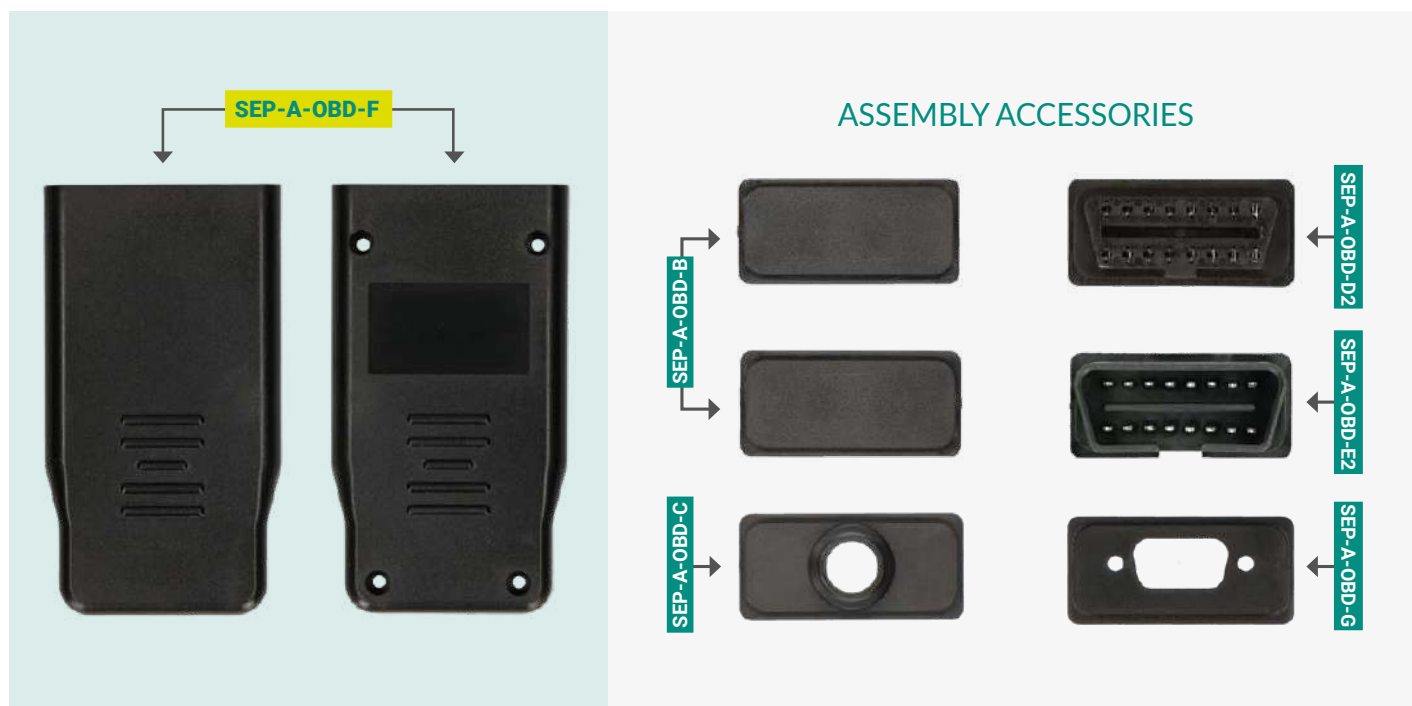
The box can be assembled in numerous ways.

E.g. if SEP-A-OBD-A is fitted to SEP-A-OBD-B, the box can be used as an electronics case.

If SEP-A-OBD-A is fitted to SEP-A-OBD-D2 and SEP-A-OBD-E2, the box can be used as a male to female OBD2 diagnostic.

SEP-A-OBD-A + SEP-A-OBD-E2 + SEP-A-OBD-B	SEP-A-OBD-A + SEP-A-OBD-E2 + SEP-A-OBD-D2	SEP-A-OBD-A + SEP-A-OBD-D2 + SEP-A-OBD-C
		
SEP-A-OBD-A + SEP-A-OBD-C + SEP-A-OBD-B	SEP-A-OBD-A + SEP-A-OBD-G + SEP-A-OBD-B	SEP-A-OBD-A + SEP-A-OBD-B
		

BOX SEP-A-OBD-F

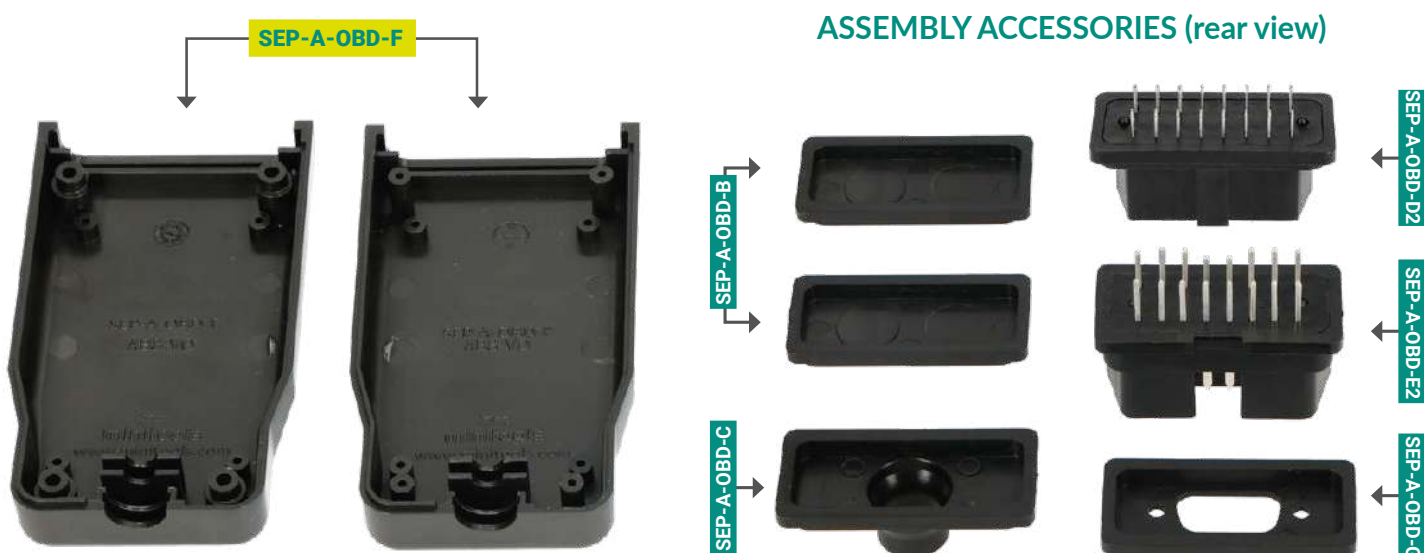


Modular box for various uses, e.g. assembling an OBD2 diagnostic connector.

All box components are made out of **ABS V0 plastic** and offer the following characteristics:

- They are **self-extinguishing**;
- They offer **excellent electrical resistance**, protecting electrical systems or electronic circuits;
- They are **resistant to stripping** if screws are used;
- They are **rigid and sturdy** even at low temperatures.

Colour: Black



Products details

Code	Description	Size	Datasheet
SEP-A-OBD-F	Central box	86 x 48 x 24 mm	Page 12
SEP-A-OBD-B	Side caps (2 pcs)	43 x 21 x 5 mm	Page 16
SEP-A-OBD-C	Cable grommet cap	43 x 21 x 15 mm	Page 17
SEP-A-OBD-D2	Female OBD2	43 x 21 mm	Page 18
SEP-A-OBD-E2	Male OBD2	43 x 21 mm	Page 19
SEP-A-OBD-G	Milled cap for 9 pin D-sub connector	43 x 21 x 5 mm	Page 20

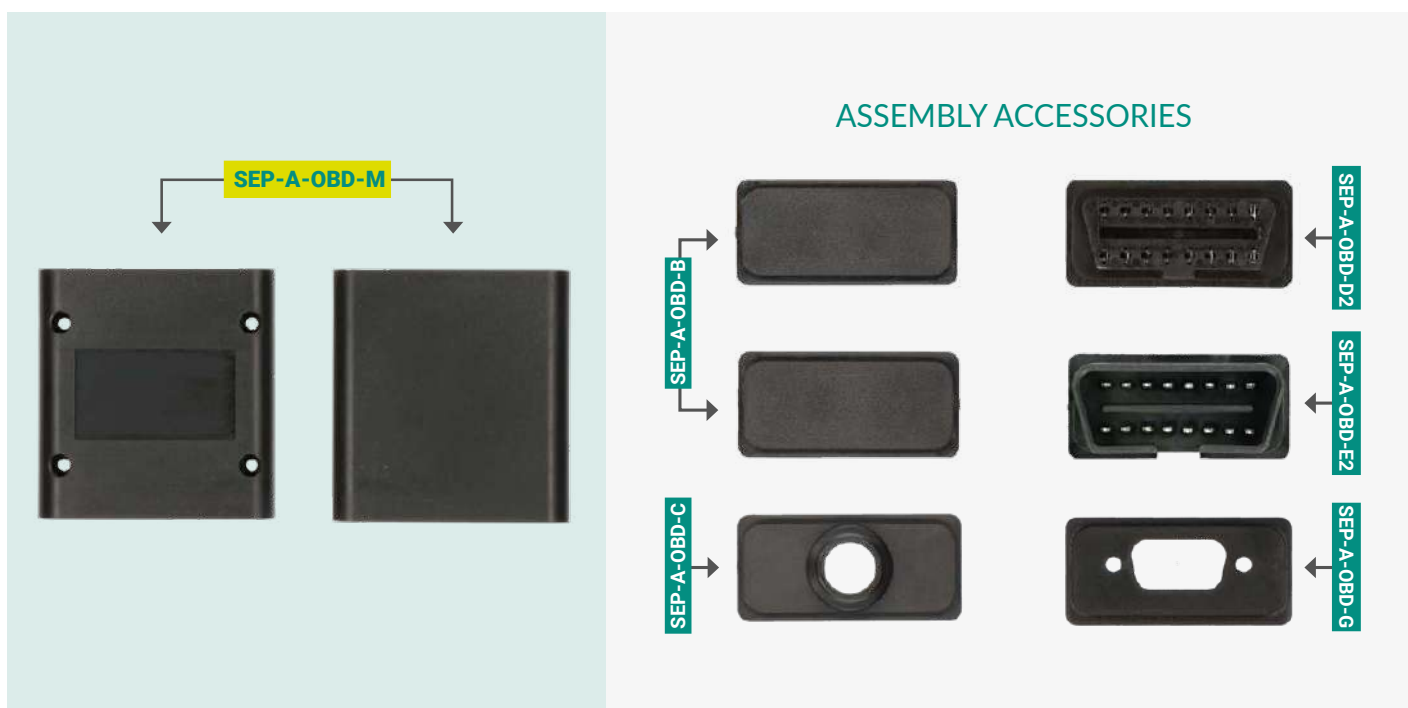
Combinations examples

The box can be assembled in numerous ways.

E.g. if SEP-A-OBD-F is fitted to SEP-A-OBD-B, the box can be used as an electronics case with cable grommet. If SEP-A-OBD-A is fitted to SEP-A-OBD-D2, the box can be used as a female OBD2 diagnostic.

SEP-A-OBD-F + SEP-A-OBD-E2	SEP-A-OBD-F + SEP-A-OBD-D2	SEP-A-OBD-F + SEP-A-OBD-G
		
SEP-A-OBD-F + SEP-A-OBD-C	SEP-A-OBD-F + SEP-A-OBD-B	
		

BOX SEP-A-OBD-M

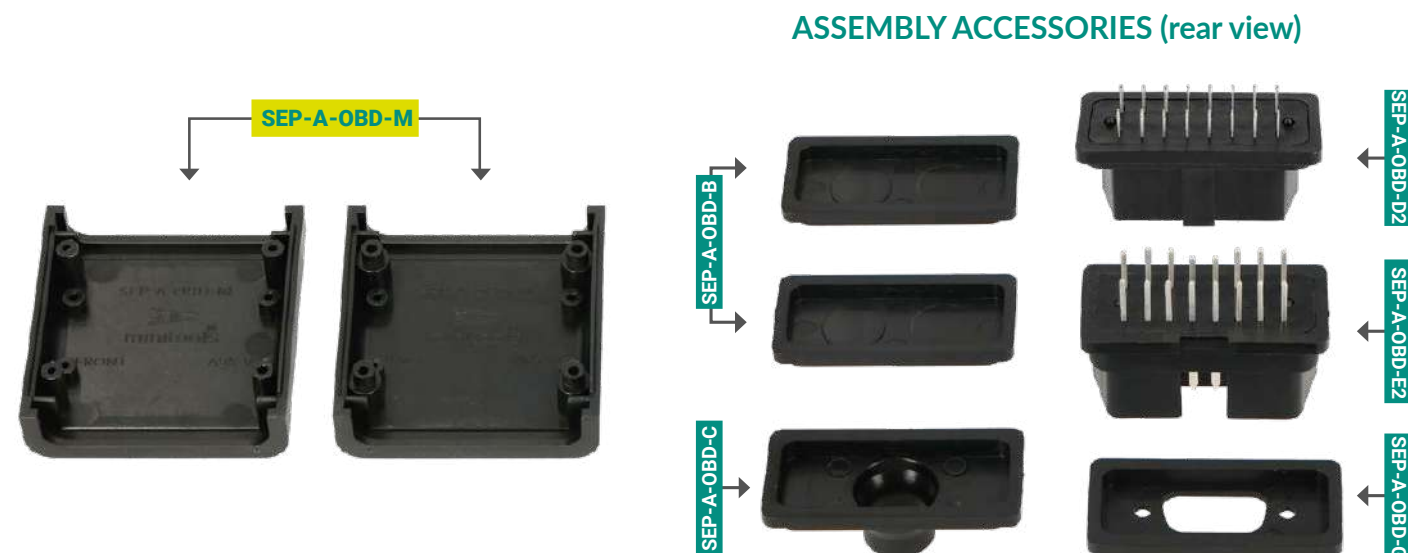


Modular box for various uses, e.g. assembling an OBD2 diagnostic connector.

All box components are **made out of ABS V0 plastic** and offer the following characteristics:

- They are **self-extinguishing**;
- They offer **excellent electrical resistance**, protecting electrical systems or electronic circuits;
- They are **resistant to stripping** if screws are used;
- They are **rigid and sturdy** even at low temperatures.

Colour: Black



Products details

Code	Description	Size	Datasheet
SEP-A-OBD-M	Central box	50 x 48 x 24 mm	Page 13
SEP-A-OBD-B	Side caps (2 pcs)	43 x 21 x 5 mm	Page 16
SEP-A-OBD-C	Cable grommet cap	43 x 21 x 15 mm	Page 17
SEP-A-OBD-D2	Female OBD2	43 x 21 mm	Page 18
SEP-A-OBD-E2	Male OBD2	43 x 21 mm	Page 19
SEP-A-OBD-G	Milled cap for 9 pin D-sub connector	43 x 21 x 5 mm	Page 20

Combinations examples

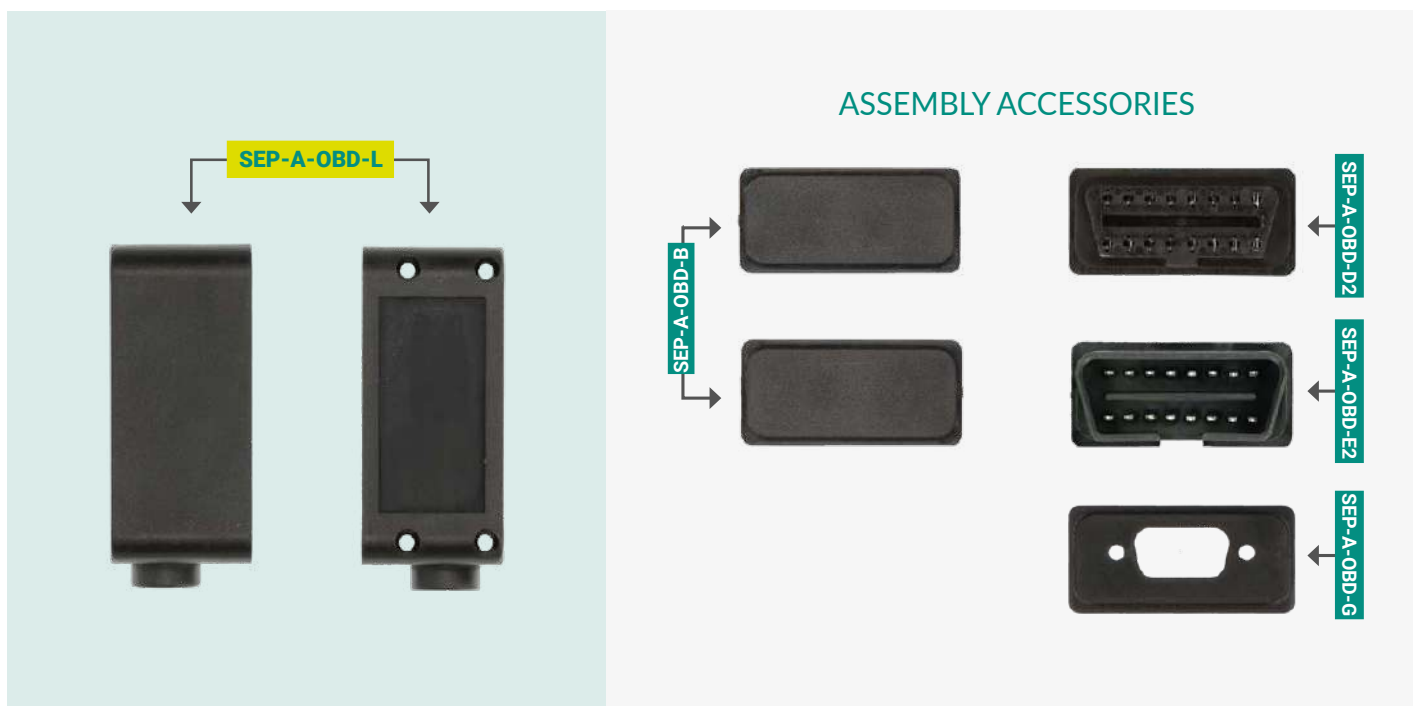
The box can be assembled in numerous ways

E.g. if SEP-A-OBD-M is fitted to SEP-A-OBD-B, the box can be used as an electronics case.

If SEP-A-OBD-M is fitted to SEP-A-OBD-D2 and SEP-A-OBD-E2, the box can be used as a male to female OBD2 diagnostic.

SEP-A-OBD-M + SEP-A-OBD-E2 + SEP-A-OBD-B	SEP-A-OBD-M + SEP-A-OBD-E2 + SEP-A-OBD-D2	SEP-A-OBD-M + SEP-A-OBD-D2 + SEP-A-OBD-C
		
SEP-A-OBD-M + SEP-A-OBD-C + SEP-A-OBD-E2	SEP-A-OBD-M + SEP-A-OBD-G + SEP-A-OBD-B	SEP-A-OBD-M + SEP-A-OBD-B
		

BOX SEP-A-OB-D-L



Modular box for various uses, e.g. assembling an OBD2 diagnostic connector with 90° cable grommet.

All box components are made out of **ABS V0 plastic** and offer the following characteristics:

- They are **self-extinguishing**;
- They offer **excellent electrical resistance**, protecting electrical systems or electronic circuits;
- They are **resistant to stripping** if screws are used;
- They are **rigid and sturdy** even at low temperatures.

Colour: Black







Products details

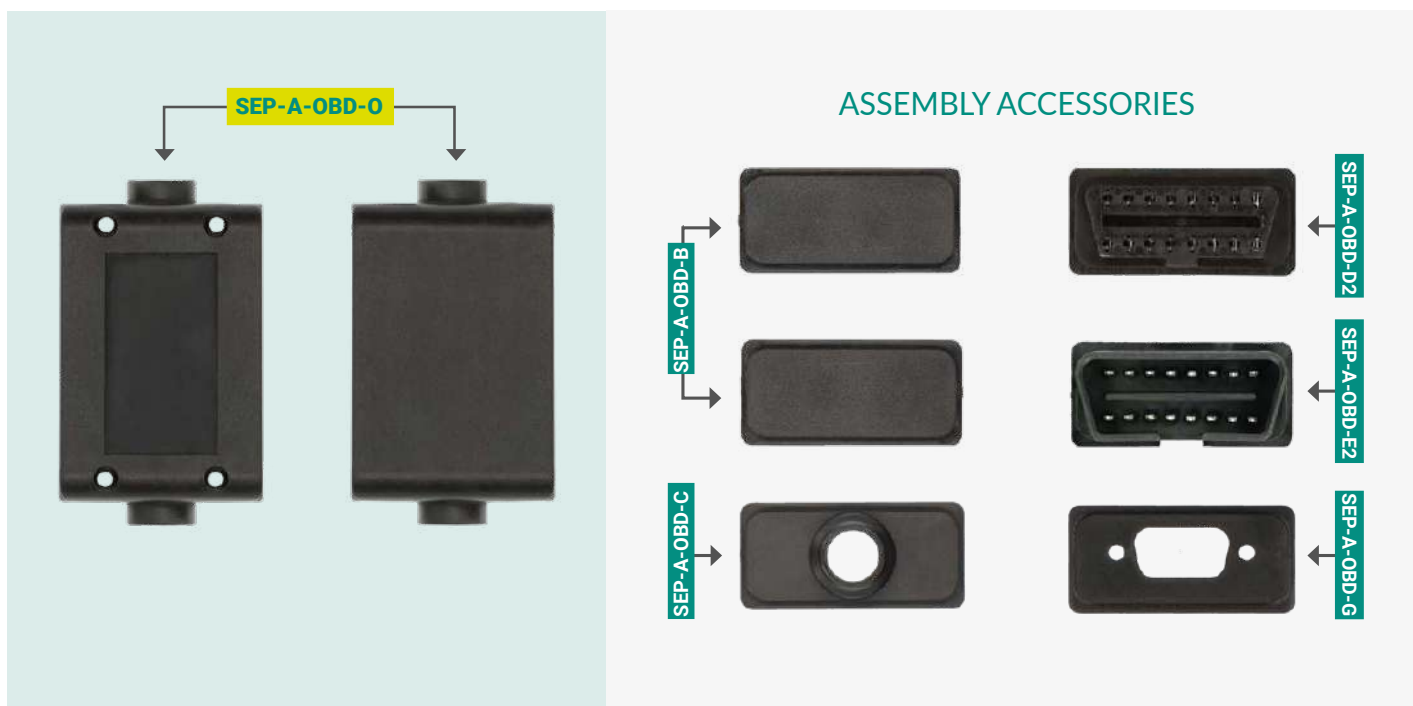
Code	Description	Size	Datasheet
SEP-A-OBD-L	Central box	51 x 22 x 24 mm	Page 14
SEP-A-OBD-B	Side caps (2 pcs)	43 x 21 x 5 mm	Page 16
SEP-A-OBD-D2	Female OBD2	43 x 21 mm	Page 18
SEP-A-OBD-E2	Male OBD2	43 x 21 mm	Page 19
SEP-A-OBD-G	Milled cap for 9 pin D-sub connector	43 x 21 x 5 mm	Page 20

Combinations examples

If SEP-A-OBD-L is fitted to SEP-A-OBD-B, the box can be used as a simple electronics case with 90° cable grommet.

SEP-A-OBD-L + SEP-A-OBD-B + SEP-A-OBD-E2	SEP-A-OBD-L + SEP-A-OBD-B + SEP-A-OBD-D2
	
SEP-A-OBD-L + SEP-A-OBD-B + SEP-A-OBD-G	SEP-A-OBD-L + SEP-A-OBD-B
	

Container SEP-A-OBD-O

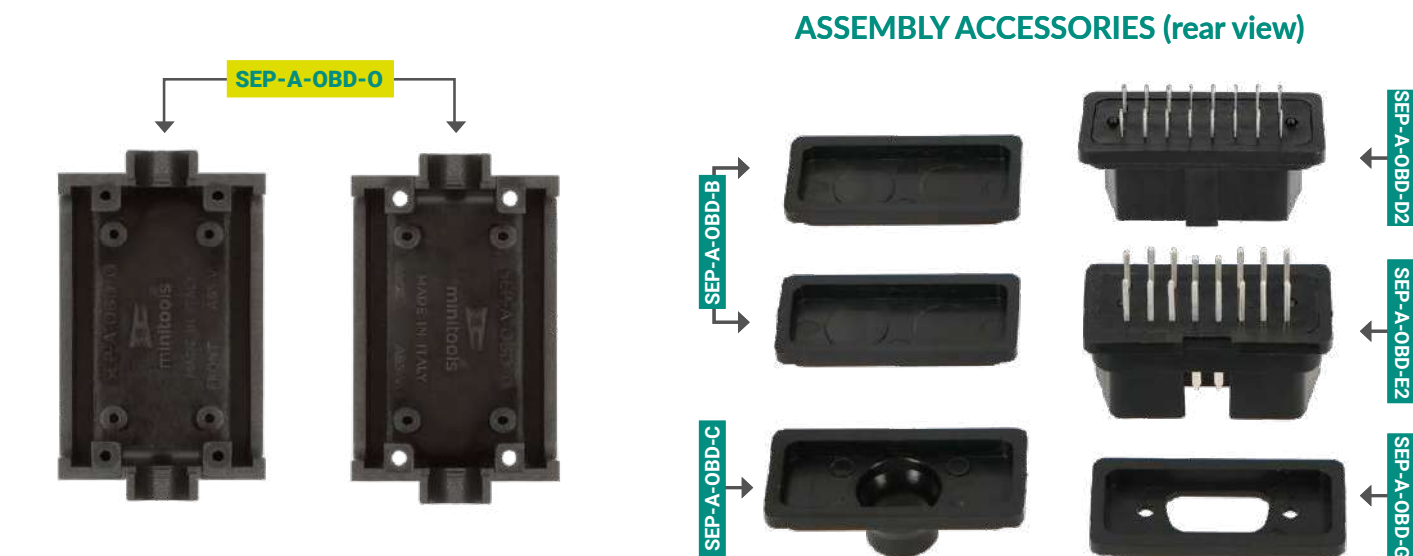


Modular box for various uses, with double cable grommet.

All boxes components are made out of **ABS V0 plastic** and offer the following characteristics:

- They are **self-extinguishing**;
- They offer **excellent electrical resistance**, protecting electrical systems or electronic circuits;
- They are **resistant to stripping** if screws are used;
- They are **rigid and sturdy** even at low temperatures.

Colour: Black



Products details

Code	Description	Size	Datasheet
SEP-A-OBD-O	Central box	55 x 32 x 24 mm	Page 15
SEP-A-OBD-B	Side caps (2 pcs)	43 x 21 x 5 mm	Page 16
SEP-A-OBD-C	Cable grommet cap	43 x 21 x 15 mm	Page 17
SEP-A-OBD-D2	Female OBD2	43 x 21 mm	Page 18
SEP-A-OBD-E2	Male OBD2	43 x 21 mm	Page 19
SEP-A-OBD-G	Milled cap for 9 pin D-sub connector	43 x 21 x 5 mm	Page 20

Combinations examples

The box can be assembled in numerous ways.

If SEP-A-OBD-O is fitted to SEP-A-OBD-D2 and SEP-A-OBD-E2, the box can be used as a small male to female OBD2 diagnostic.

SEP-A-OBD-O + SEP-A-OBD-E2 + SEP-A-OBD-B	SEP-A-OBD-O + SEP-A-OBD-C + SEP-A-OBD-E2	SEP-A-OBD-O + SEP-A-OBD-D2 + SEP-A-OBD-B
		
SEP-A-OBD-O + SEP-A-OBD-D2 + SEP-A-OBD-C	SEP-A-OBD-O + SEP-A-OBD-C + SEP-A-OBD-G	SEP-A-OBD-O + SEP-A-OBD-E2 + SEP-A-OBD-D2
		

CODE	SEP-A-OBD-A
DESCRIPTION	Central box

EXTERNAL VIEW

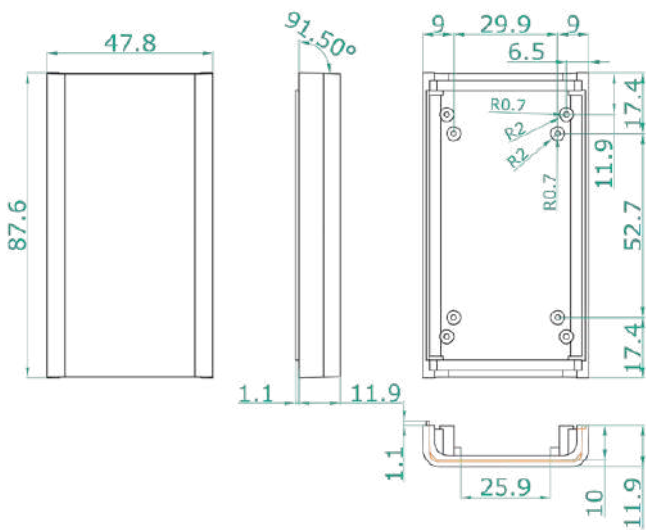


INTERNAL VIEW

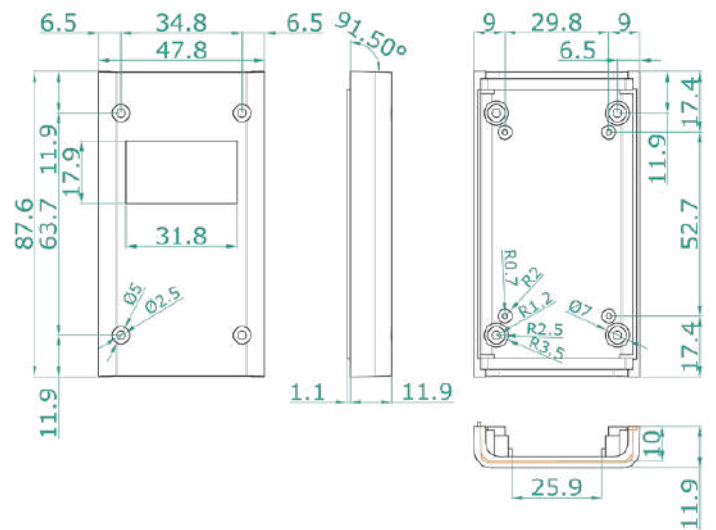


TECHNICAL DETAILS

FRONT



BACK



Note: dimensions are in mm

CODE	SEP-A-OBD-F
DESCRIPTION	Central box

EXTERNAL VIEW

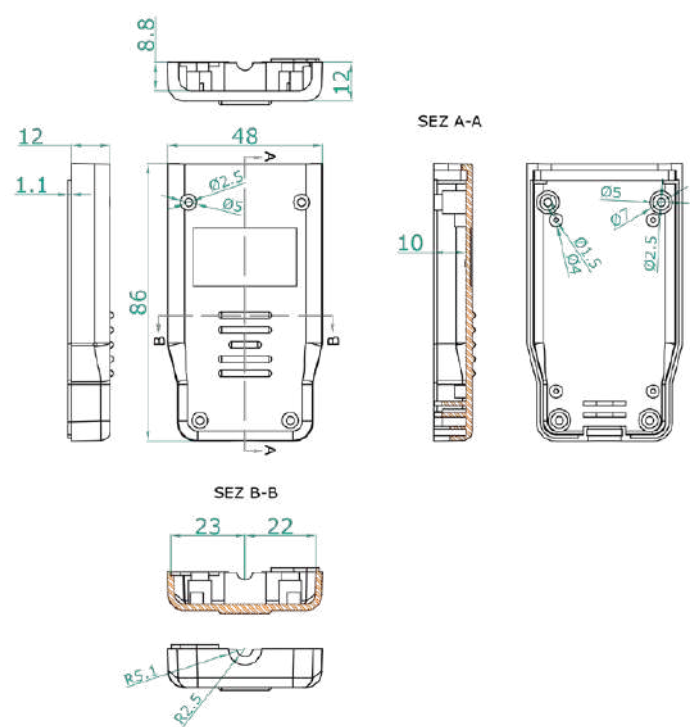
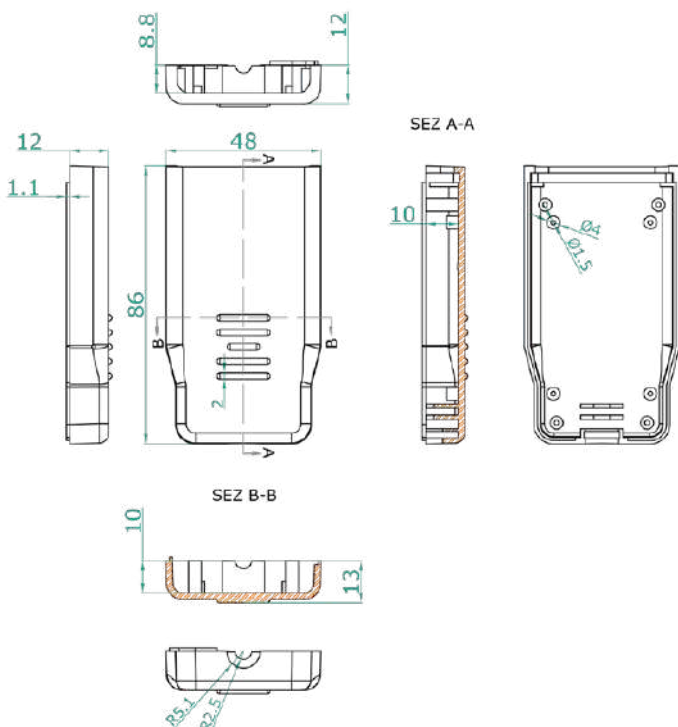
INTERNAL VIEW



TECHNICAL DETAILS

FRONT

BACK



Note: dimensions are in mm

CODE	SEP-A-OBD-L
DESCRIPTION	Central box

EXTERNAL VIEW

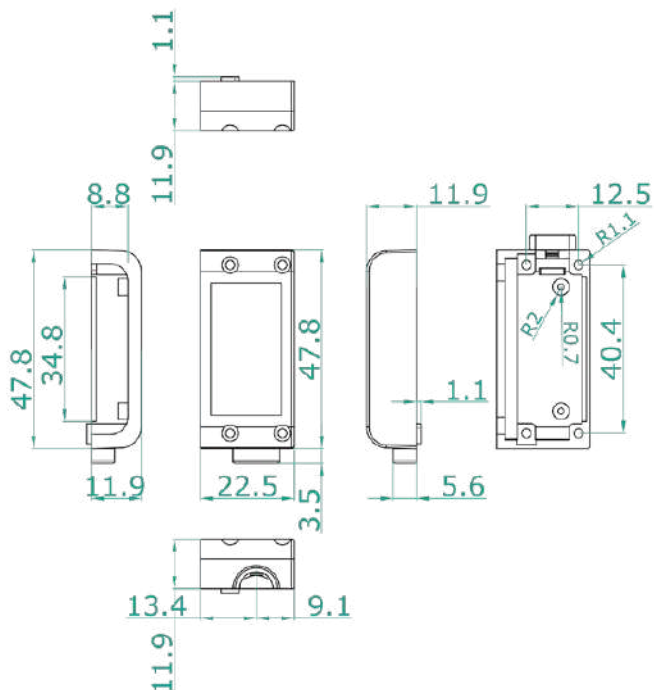


INTERNAL VIEW

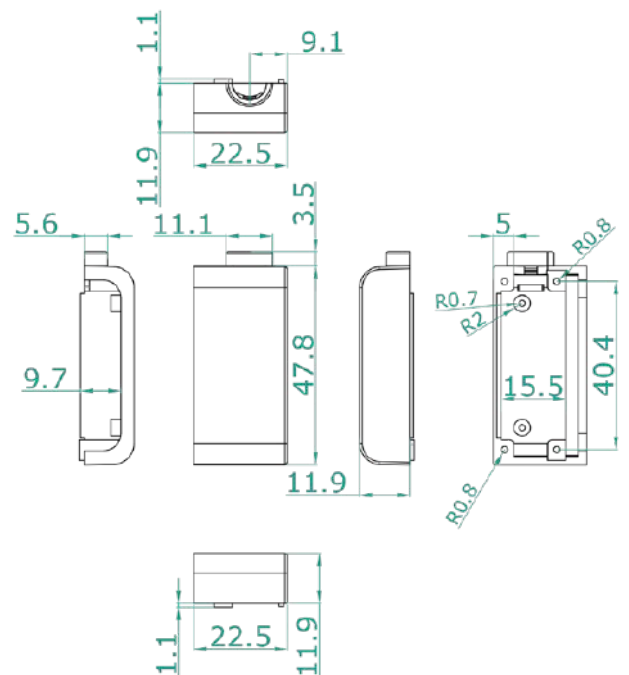


TECHNICAL DETAILS

FRONT



BACK

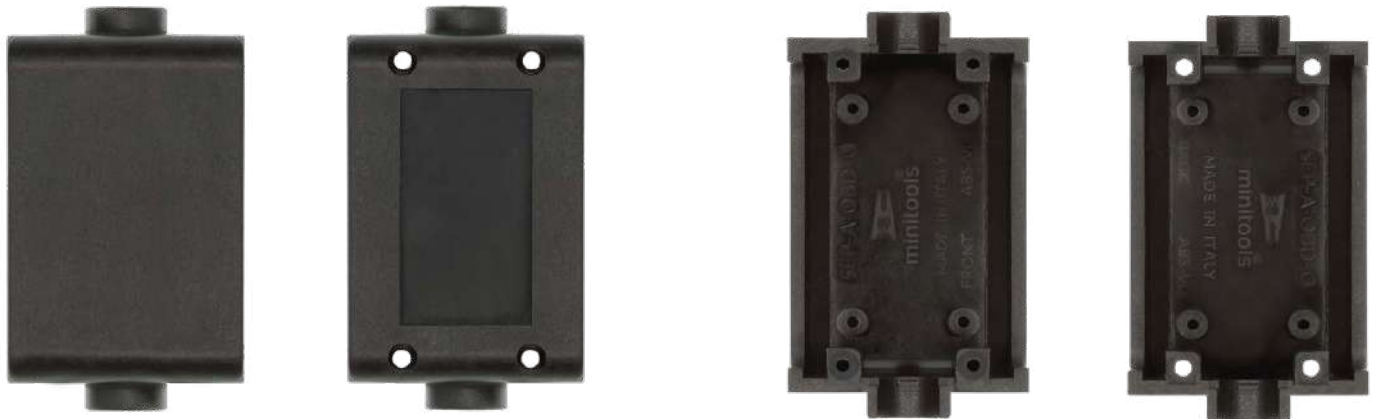


Note: dimensions are in mm

CODE	SEP-A-OBD-O
DESCRIPTION	Central box

EXTERNAL VIEW

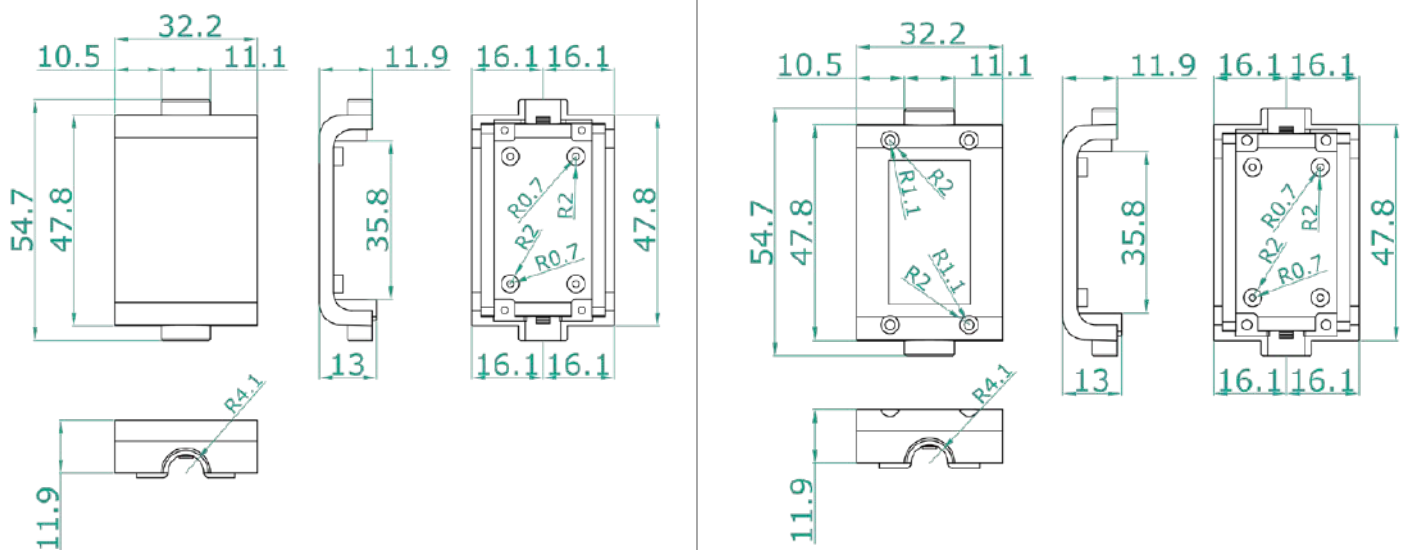
INTERNAL VIEW



TECHNICAL DETAILS

FRONT

BACK



Note: dimensions are in mm

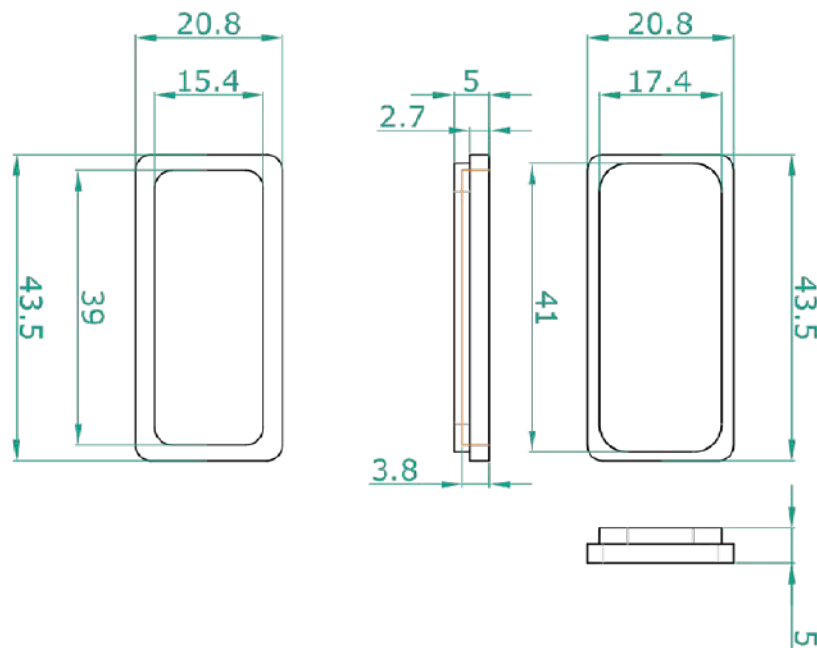
CODE	SEP-A-OBDB-B
DESCRIPTION	Side caps (2pcs)

FRONTAL VIEW

REAR VIEW



TECHNICAL DETAILS



Note: dimensions are in mm

CODE	SEP-A-OB-D-C
DESCRIPTION	Cable grommet cap

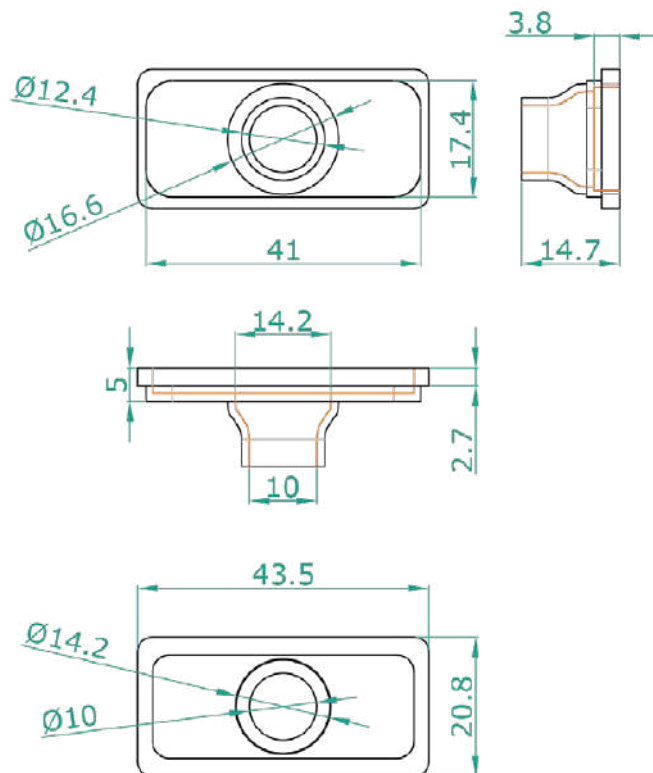
FRONTAL VIEW



REAR VIEW



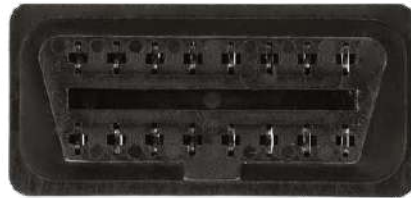
TECHNICAL DETAILS



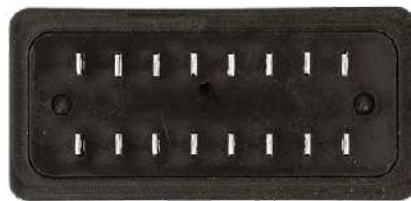
Note: dimensions are in mm

CODE	SEP-A-OB2-D2
DESCRIPTION	Female OBD2

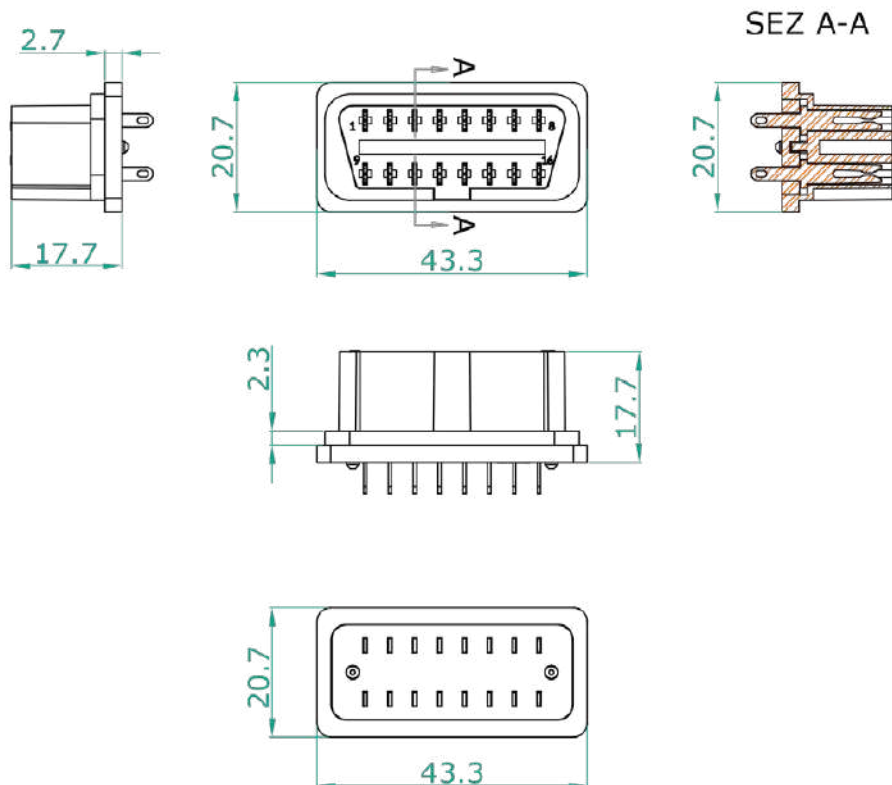
FRONTAL VIEW



REAR VIEW



TECHNICAL DETAILS



Note: dimensions are in mm

CODE	SEP-A-OB2-E2
DESCRIPTION	Male OBD2

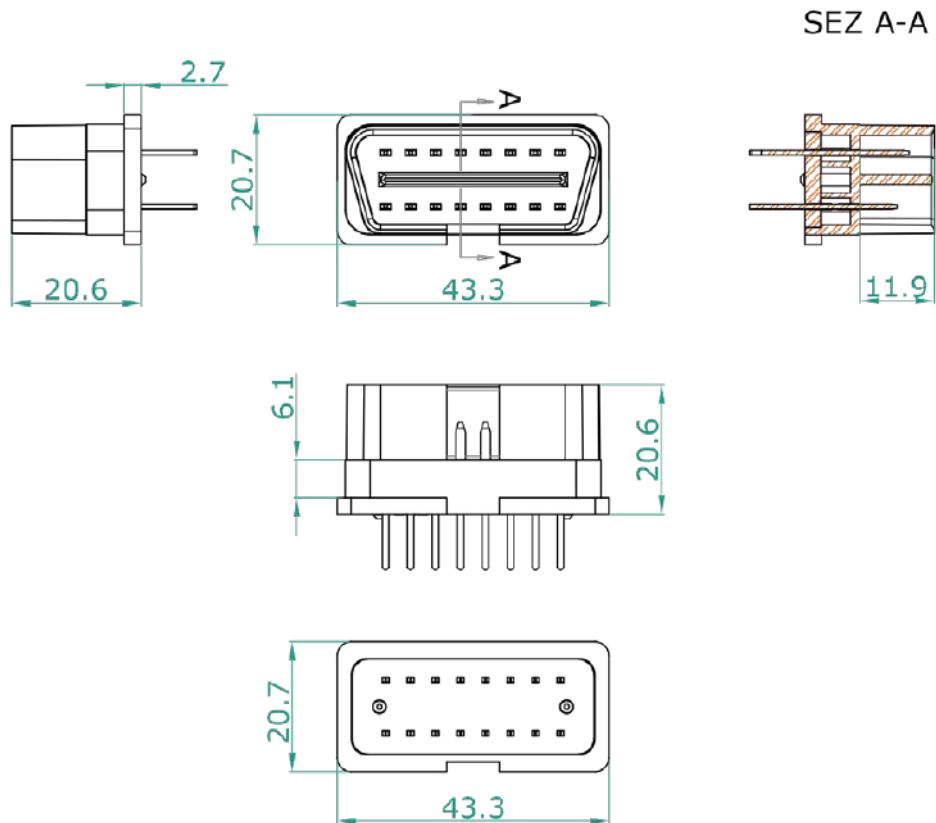
FRONTAL VIEW



REAR VIEW



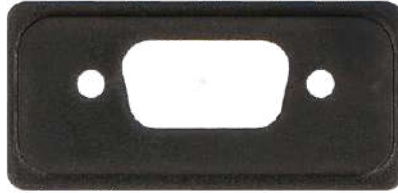
TECHNICAL DETAILS



Note: dimensions are in mm

CODE	SEP-A-OB-D-G
DESCRIPTION	Milled cap for 9 pin D-sub connector

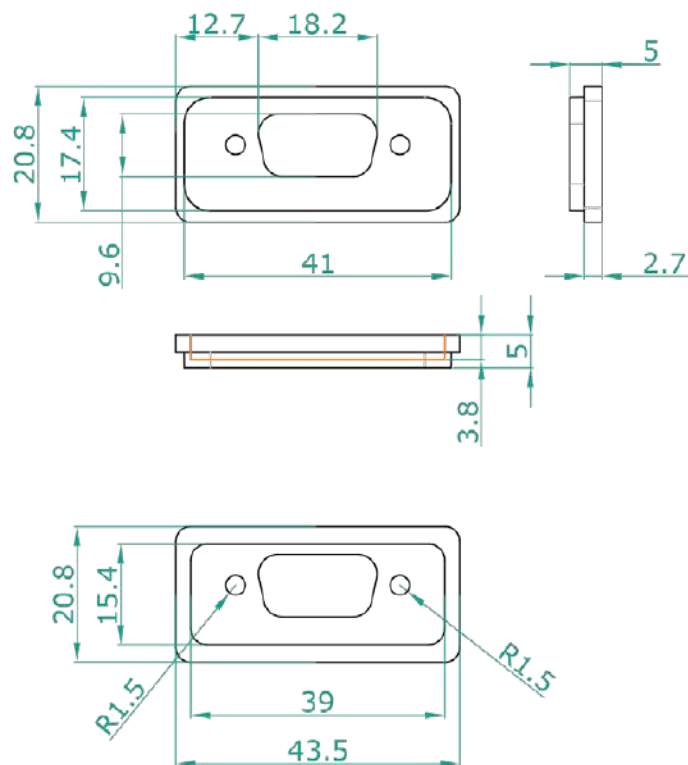
FRONTAL VIEW



REAR VIEW



TECHNICAL DETAILS



Note: dimensions are in mm

Customization

SEP-A-OBDA, SEP-A-OBDF, SEP-A-OBDM, SEP-A-OBDL and SEP-A-OBDO can be personalized with customers' logo or with a particular milling.

	<h3>UV PRINT</h3>	
	<p style="text-align: center;">ADVANTAGES</p> <ul style="list-style-type: none"> • Coloured • More definition and clearness 	<p style="text-align: center;">DISADVANTAGES</p> <ul style="list-style-type: none"> • More expensive • Less resistant • Long time realization
	<h3>LASER MARKING</h3>	
	<p style="text-align: center;">ADVANTAGES</p> <ul style="list-style-type: none"> • Cheaper • Faster to realize • More resistant 	<p style="text-align: center;">DISADVANTAGES</p> <ul style="list-style-type: none"> • Black and white
	<h3>MILLING</h3>	
	<p style="text-align: center;"><i>The box can be milled and customized according to their own needs</i></p>	

X-ON Electronics

Largest Supplier of Electrical and Electronic Components

Click to view similar products for [Control Switches](#) category:

Click to view products by [Minitools](#) manufacturer:

Other Similar products are found below :

[80932-99](#) [HW4S-2TC10](#) [89804-08](#) [ASD2L20N-LVO](#) [50051857-17](#) [50099156-001-05](#) [V19-11D-12R-S](#) [60813](#) [FF3-21-AC-03](#) [FIX-HP2-28](#)
[FIX-LCB-20](#) [AX-380](#) [BAT-SG4](#) [14.7456M-HC49-S](#) [74611-24](#) [TMT-HA600-2](#) [79981-99](#) [86303-26](#) [CP-37-2G](#) [JBC-TL3D](#) [JBC-T05D](#) [V19-](#)
[11R-12Y-S](#) [V22-21R-12B-S](#) [WEL.CT5A7](#) [BCP2L](#) [060-113366](#) [81908-00](#) [87770-00](#) [601.8119.045](#) [ASD322NU](#) [ASD340NU](#) [AS6Q-2Y2P](#)
[KEM425UL Y/R](#) [TC-412N2](#) [LS/VS N160](#) [LS/VS 160 3P](#) [3RH2911-2GA22](#) [F1-SU1Z UN](#) [TFH232-11UEDR](#) [02410.0501-02](#) [02410.1001-03](#)
[B222-60NF](#) [060-121766](#) [060-216466](#) [060-216666](#) [08080200](#) [M22-D-G-X1/KC11/I](#) [M22-D-R-X0/KC11/I](#) [M22-I3-M2](#) [3SE2902-0AA20](#)