

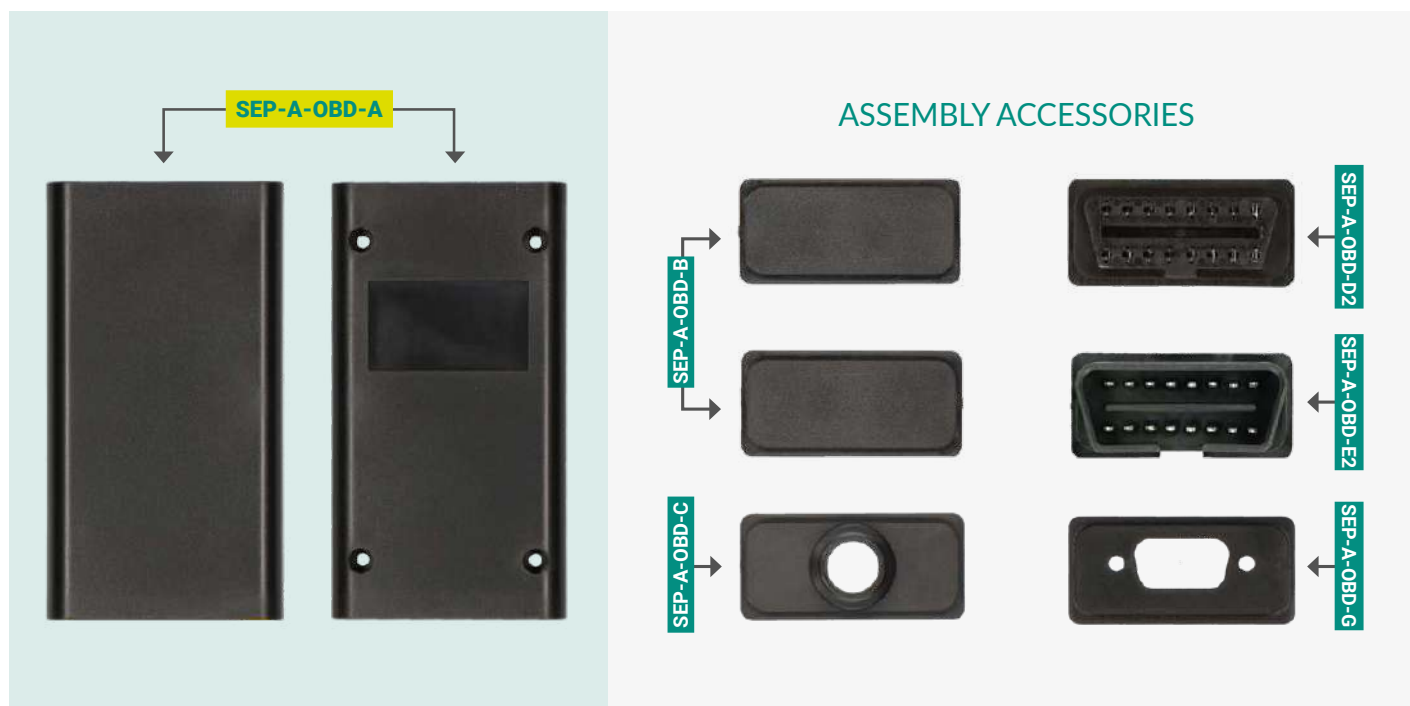
Vers. 1.3

# MODULAR CASES AND DIAGNOSTIC CONNECTORS FOR ELECTRONICS



minitools®

# BOX SEP-A-OBD-A

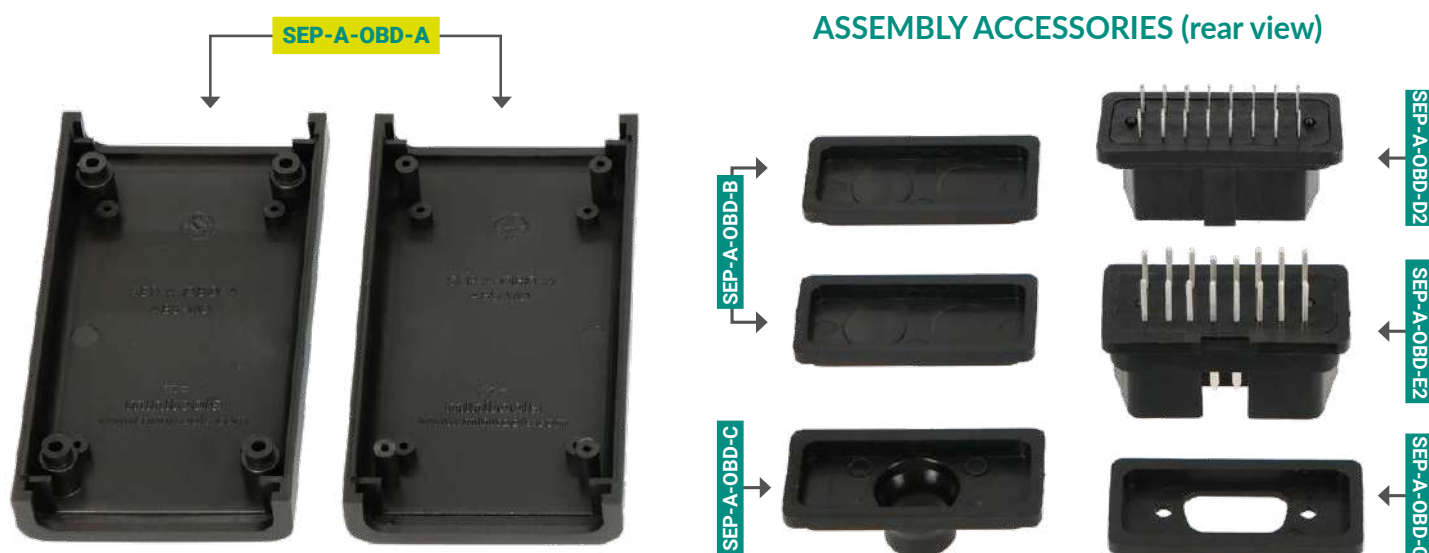


**Modular box** for various uses, e.g. assembling an OBD2 diagnostic connector.

All box components are **made out of ABS V0 plastic** and offer the following characteristics:

- They are **self-extinguishing**;
- They offer **excellent electrical resistance**, protecting electrical systems or electronic circuits;
- They are **resistant to stripping** if screws are used;
- They are **rigid and sturdy** even at low temperatures.

**Colour:** Black



## Products details





Code	Description	Size	Datasheet
SEP-A-OBD-A	Central box	88 x 48 x 24 mm	Page 11
SEP-A-OBD-B	Side caps (2 pcs)	43 x 21 x 5 mm	Page 16
SEP-A-OBD-C	Cable grommet cap	43 x 21 x 15 mm	Page 17
SEP-A-OBD-D2	Female OBD2	43 x 21 mm	Page 18
SEP-A-OBD-E2	Male OBD2	43 x 21 mm	Page 19
SEP-A-OBD-G	Milled cap for 9 pin D-sub connector	43 x 21 x 5 mm	Page 20

## Combinations examples

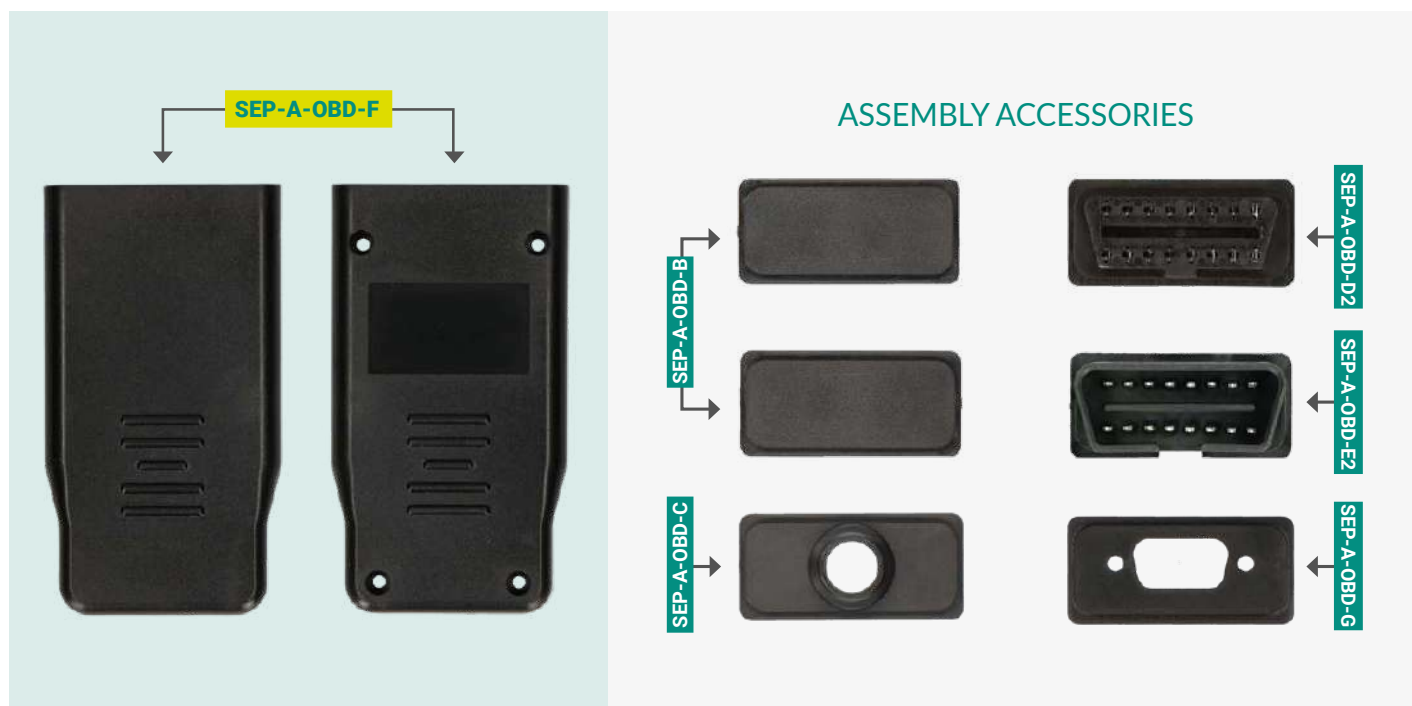
The box can be assembled in numerous ways.

E.g. if SEP-A-OBD-A is fitted to SEP-A-OBD-B, the box can be used as an electronics case.

If SEP-A-OBD-A is fitted to SEP-A-OBD-D2 and SEP-A-OBD-E2, the box can be used as a male to female OBD2 diagnostic.

SEP-A-OBD-A + SEP-A-OBD-E2 + SEP-A-OBD-B	SEP-A-OBD-A + SEP-A-OBD-E2 + SEP-A-OBD-D2	SEP-A-OBD-A + SEP-A-OBD-D2 + SEP-A-OBD-C
		
SEP-A-OBD-A + SEP-A-OBD-C + SEP-A-OBD-B	SEP-A-OBD-A + SEP-A-OBD-G + SEP-A-OBD-B	SEP-A-OBD-A + SEP-A-OBD-B
		

# BOX SEP-A-OB-D-F

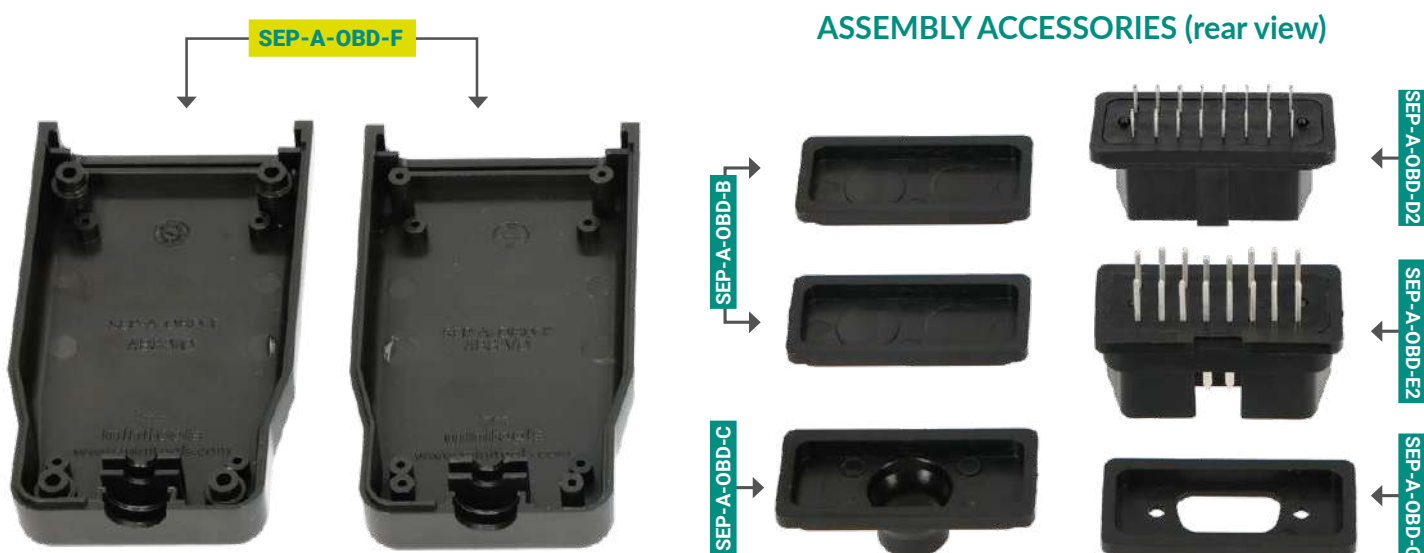


**Modular box** for various uses, e.g. assembling an OBD2 diagnostic connector.

All box components are **made out of ABS V0 plastic** and offer the following characteristics:

- They are **self-extinguishing**;
- They offer **excellent electrical resistance**, protecting electrical systems or electronic circuits;
- They are **resistant to stripping** if screws are used;
- They are **rigid and sturdy** even at low temperatures.

**Colour:** Black



## Products details

Code	Description	Size	Datasheet
SEP-A-OBD-F	Central box	86 x 48 x 24 mm	Page 12
SEP-A-OBD-B	Side caps (2 pcs)	43 x 21 x 5 mm	Page 16
SEP-A-OBD-C	Cable grommet cap	43 x 21 x 15 mm	Page 17
SEP-A-OBD-D2	Female OBD2	43 x 21 mm	Page 18
SEP-A-OBD-E2	Male OBD2	43 x 21 mm	Page 19
SEP-A-OBD-G	Milled cap for 9 pin D-sub connector	43 x 21 x 5 mm	Page 20

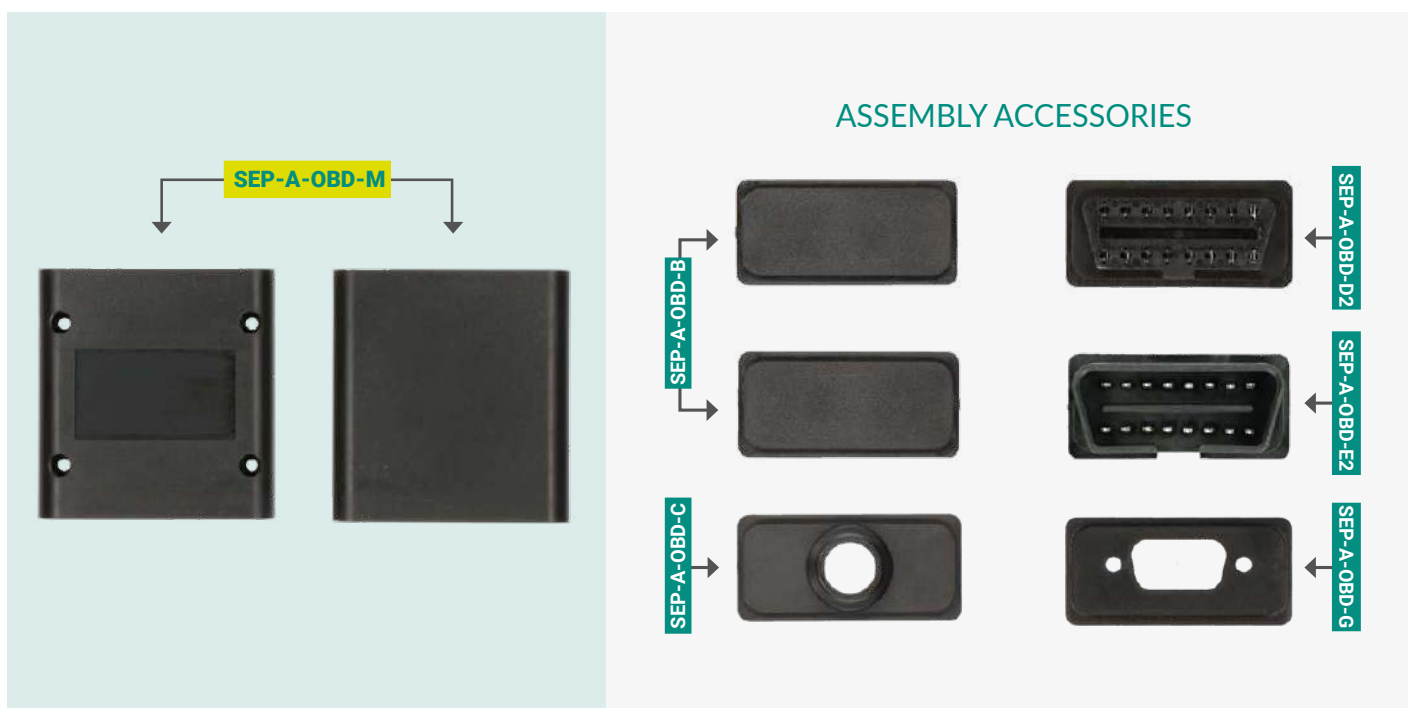
## Combinations examples

The box can be assembled in numerous ways.

E.g. if SEP-A-OBD-F is fitted to SEP-A-OBD-B, the box can be used as an electronics case with cable grommet. If SEP-A-OBD-A is fitted to SEP-A-OBD-D2, the box can be used as a female OBD2 diagnostic.



# BOX SEP-A-OBD-M

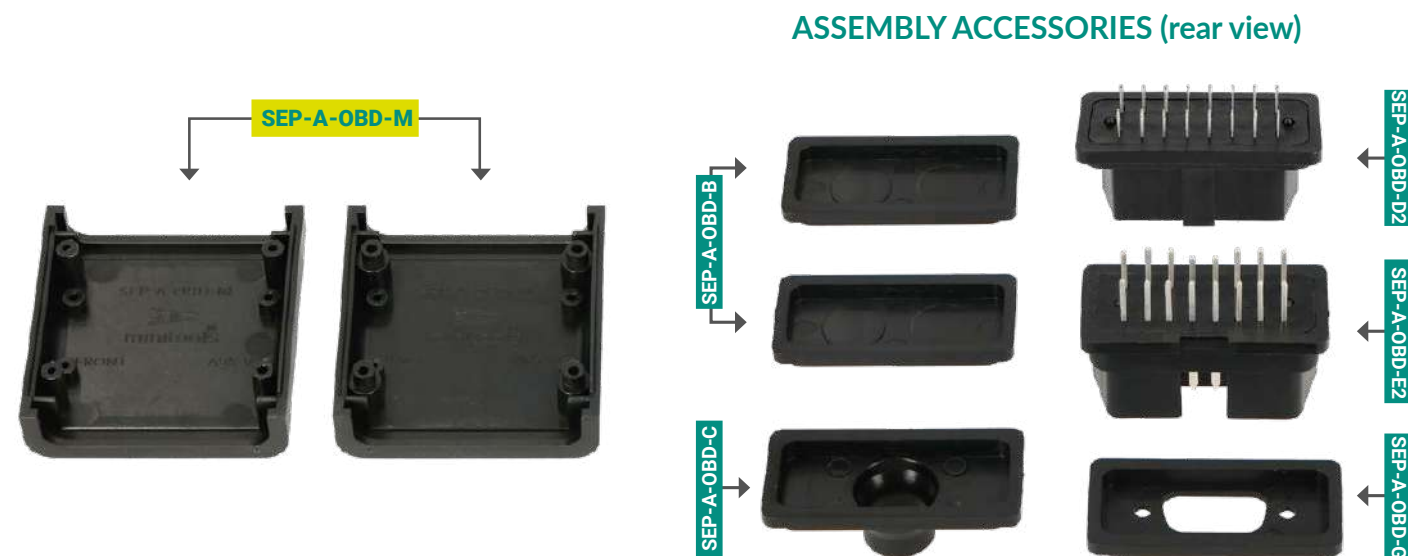


**Modular box** for various uses, e.g. assembling an OBD2 diagnostic connector.

All box components are **made out of ABS V0 plastic** and offer the following characteristics:

- They are **self-extinguishing**;
- They offer **excellent electrical resistance**, protecting electrical systems or electronic circuits;
- They are **resistant to stripping** if screws are used;
- They are **rigid and sturdy** even at low temperatures.

**Colour:** Black



## Products details

Code	Description	Size	Datasheet
SEP-A-OBD-M	Central box	50 x 48 x 24 mm	Page 13
SEP-A-OBD-B	Side caps (2 pcs)	43 x 21 x 5 mm	Page 16
SEP-A-OBD-C	Cable grommet cap	43 x 21 x 15 mm	Page 17
SEP-A-OBD-D2	Female OBD2	43 x 21 mm	Page 18
SEP-A-OBD-E2	Male OBD2	43 x 21 mm	Page 19
SEP-A-OBD-G	Milled cap for 9 pin D-sub connector	43 x 21 x 5 mm	Page 20

## Combinations examples

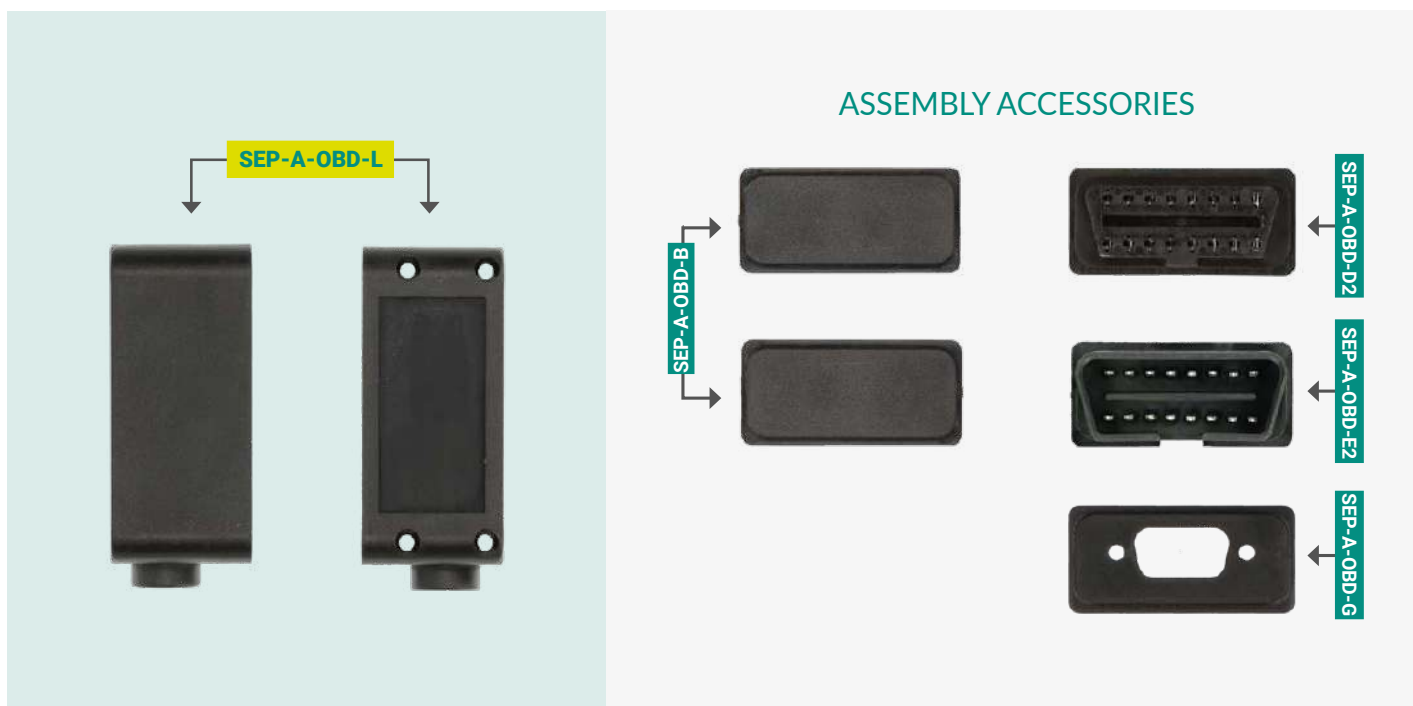
The box can be assembled in numerous ways

E.g. if SEP-A-OBD-M is fitted to SEP-A-OBD-B, the box can be used as an electronics case.

If SEP-A-OBD-M is fitted to SEP-A-OBD-D2 and SEP-A-OBD-E2, the box can be used as a male to female OBD2 diagnostic.

SEP-A-OBD-M + SEP-A-OBD-E2 + SEP-A-OBD-B	SEP-A-OBD-M + SEP-A-OBD-E2 + SEP-A-OBD-D2	SEP-A-OBD-M + SEP-A-OBD-D2 + SEP-A-OBD-C
		
SEP-A-OBD-M + SEP-A-OBD-C + SEP-A-OBD-E2	SEP-A-OBD-M + SEP-A-OBD-G + SEP-A-OBD-B	SEP-A-OBD-M + SEP-A-OBD-B
		

# BOX SEP-A-OB-D-L



Modular box for various uses, e.g. assembling an OBD2 diagnostic connector with 90° cable grommet.

All box components are made out of **ABS V0 plastic** and offer the following characteristics:

- They are **self-extinguishing**;
- They offer **excellent electrical resistance**, protecting electrical systems or electronic circuits;
- They are **resistant to stripping** if screws are used;
- They are **rigid and sturdy** even at low temperatures.

Colour: Black







## Products details

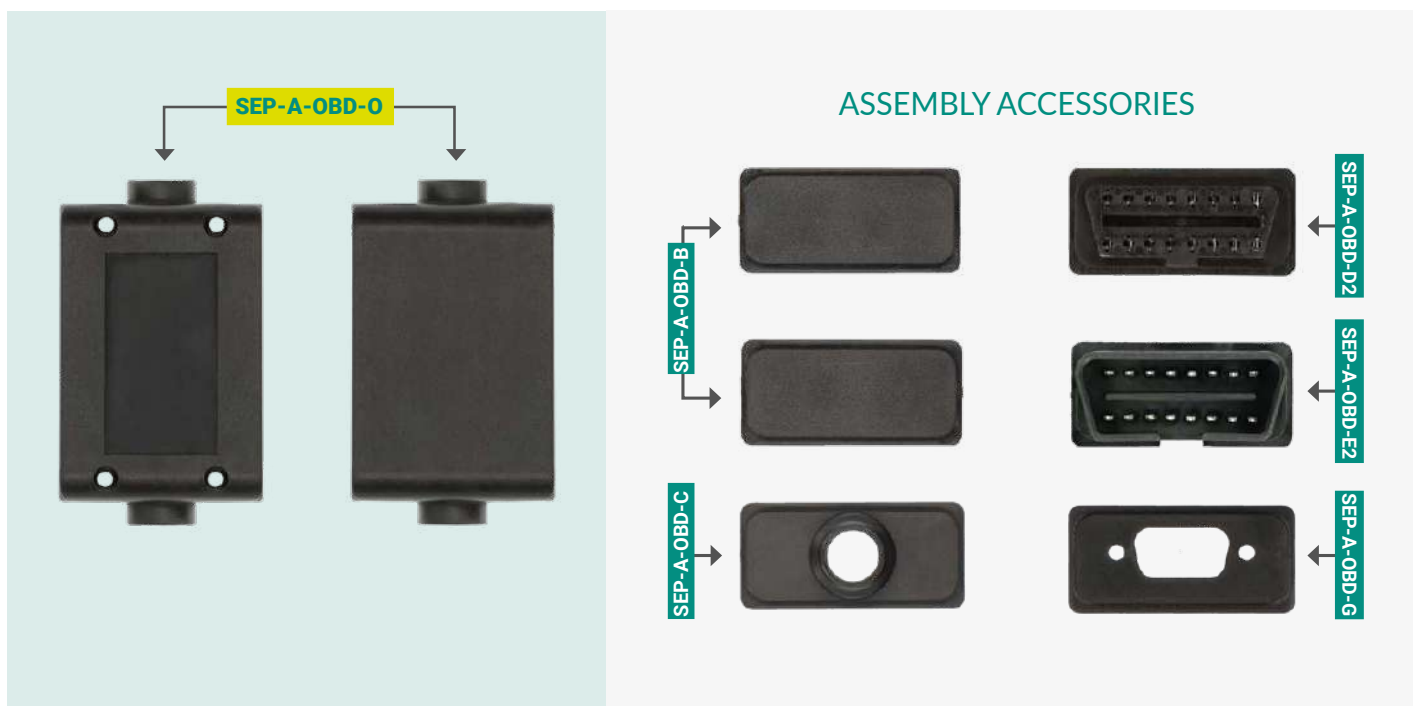
Code	Description	Size	Datasheet
SEP-A-OBD-L	Central box	51 x 22 x 24 mm	Page 14
SEP-A-OBD-B	Side caps (2 pcs)	43 x 21 x 5 mm	Page 16
SEP-A-OBD-D2	Female OBD2	43 x 21 mm	Page 18
SEP-A-OBD-E2	Male OBD2	43 x 21 mm	Page 19
SEP-A-OBD-G	Milled cap for 9 pin D-sub connector	43 x 21 x 5 mm	Page 20

## Combinations examples

If SEP-A-OBD-L is fitted to SEP-A-OBD-B, the box can be used as a simple electronics case with 90° cable grommet.

SEP-A-OBD-L + SEP-A-OBD-B + SEP-A-OBD-E2	SEP-A-OBD-L + SEP-A-OBD-B + SEP-A-OBD-D2
	
SEP-A-OBD-L + SEP-A-OBD-B + SEP-A-OBD-G	SEP-A-OBD-L + SEP-A-OBD-B
	

# Container SEP-A-OBD-O

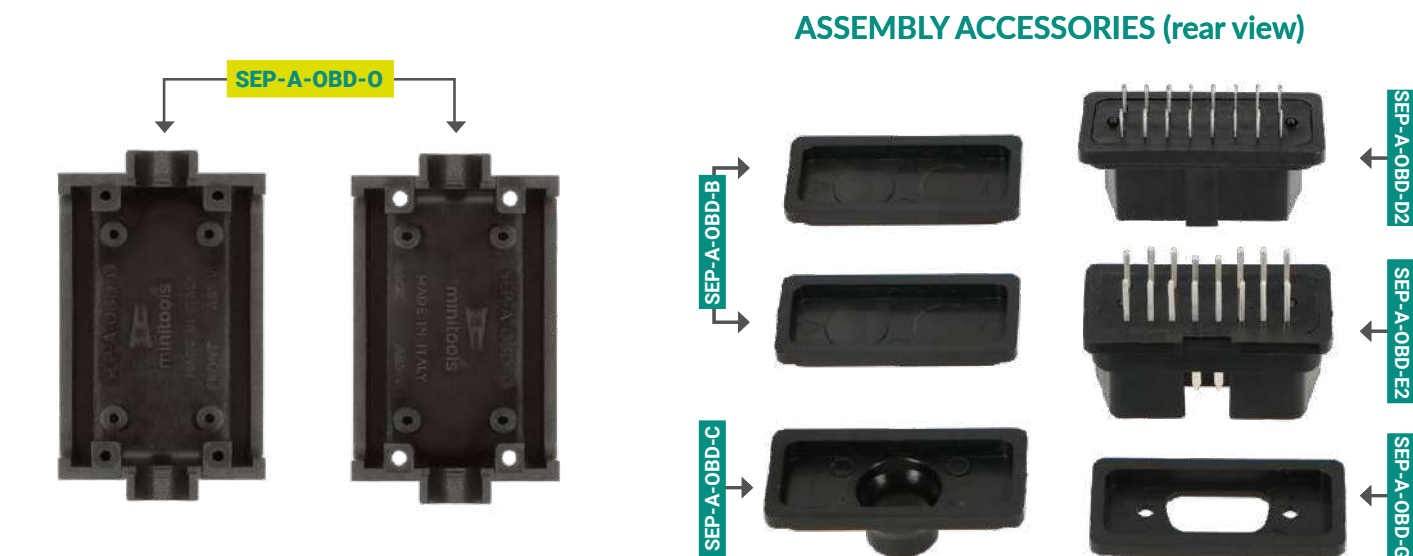


Modular box for various uses, with double cable grommet.

All boxes components are made out of **ABS V0 plastic** and offer the following characteristics:

- They are **self-extinguishing**;
- They offer **excellent electrical resistance**, protecting electrical systems or electronic circuits;
- They are **resistant to stripping** if screws are used;
- They are **rigid and sturdy** even at low temperatures.

Colour: Black



## Products details

Code	Description	Size	Datasheet
SEP-A-OBD-O	Central box	55 x 32 x 24 mm	Page 15
SEP-A-OBD-B	Side caps (2 pcs)	43 x 21 x 5 mm	Page 16
SEP-A-OBD-C	Cable grommet cap	43 x 21 x 15 mm	Page 17
SEP-A-OBD-D2	Female OBD2	43 x 21 mm	Page 18
SEP-A-OBD-E2	Male OBD2	43 x 21 mm	Page 19
SEP-A-OBD-G	Milled cap for 9 pin D-sub connector	43 x 21 x 5 mm	Page 20

## Combinations examples

The box can be assembled in numerous ways.

If SEP-A-OBD-O is fitted to SEP-A-OBD-D2 and SEP-A-OBD-E2, the box can be used as a small male to female OBD2 diagnostic.

SEP-A-OBD-O + SEP-A-OBD-E2 + SEP-A-OBD-B	SEP-A-OBD-O + SEP-A-OBD-C + SEP-A-OBD-E2	SEP-A-OBD-O + SEP-A-OBD-D2 + SEP-A-OBD-B
		
SEP-A-OBD-O + SEP-A-OBD-D2 + SEP-A-OBD-C	SEP-A-OBD-O + SEP-A-OBD-C + SEP-A-OBD-G	SEP-A-OBD-O + SEP-A-OBD-E2 + SEP-A-OBD-D2
		

CODE	SEP-A-OBD-A
DESCRIPTION	Central box

EXTERNAL VIEW

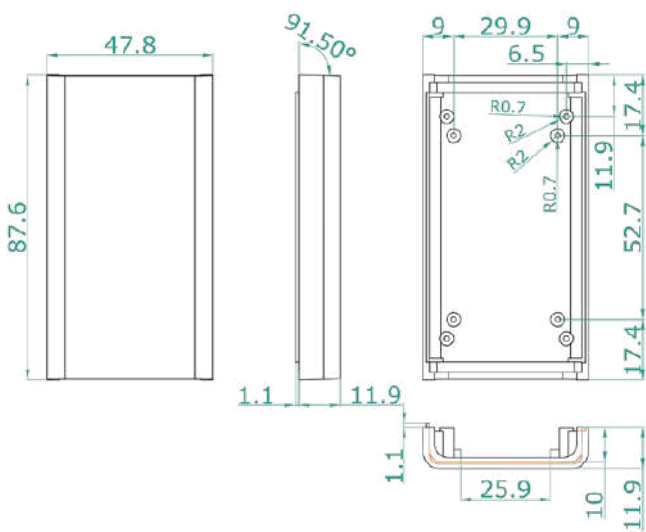


INTERNAL VIEW

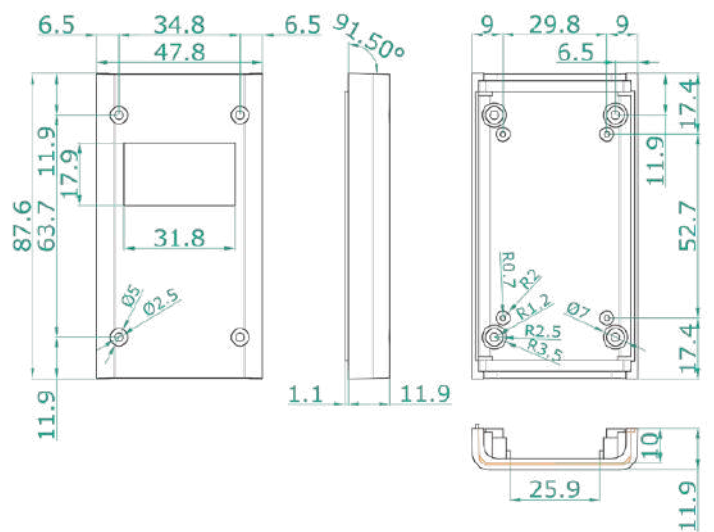


TECHNICAL DETAILS

FRONT



BACK



Note: dimensions are in mm

CODE	SEP-A-OBD-F
DESCRIPTION	Central box

EXTERNAL VIEW

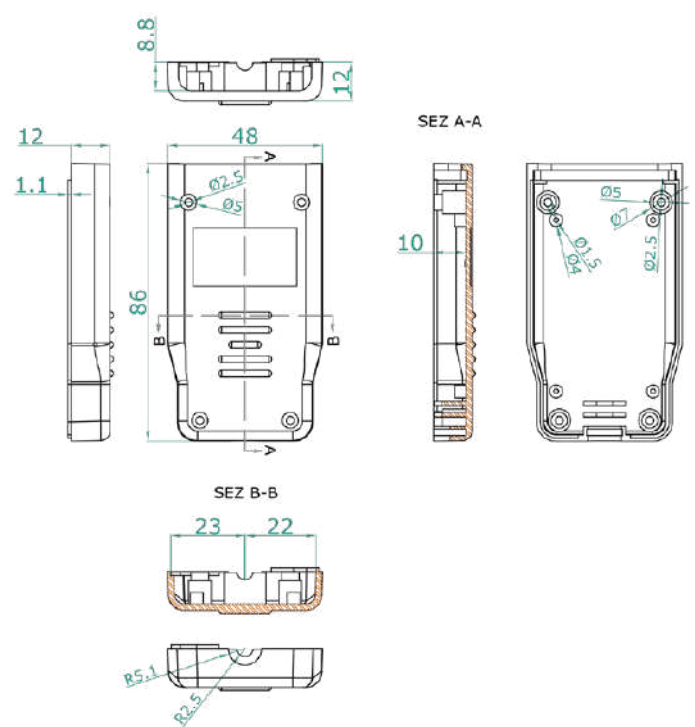
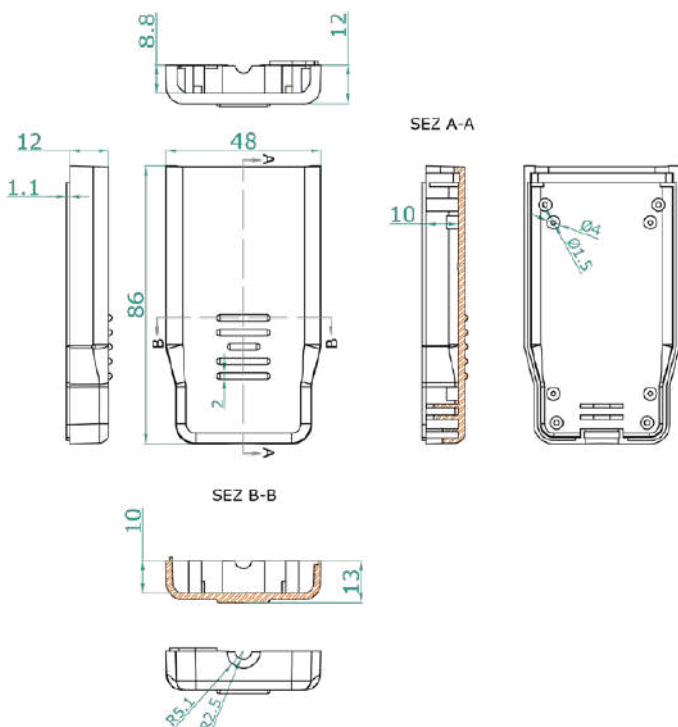
INTERNAL VIEW



TECHNICAL DETAILS

FRONT

BACK



Note: dimensions are in mm



CODE	SEP-A-OBD-L
DESCRIPTION	Central box

EXTERNAL VIEW

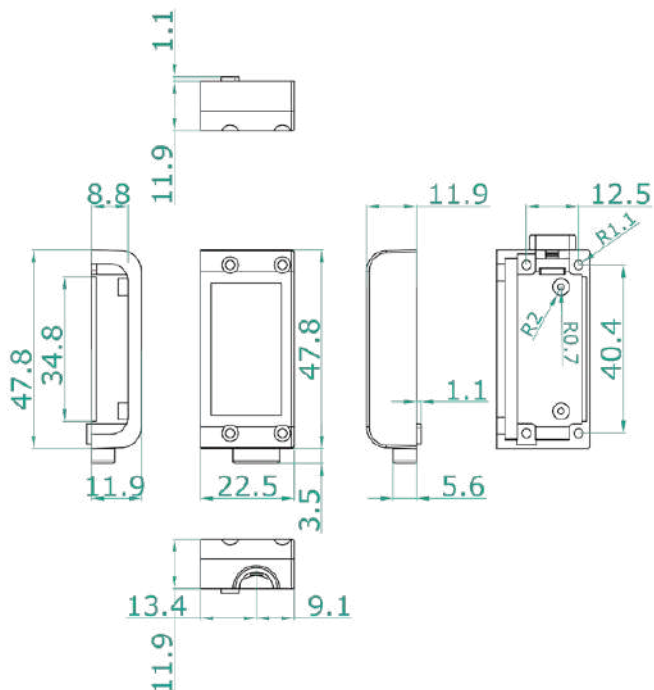


INTERNAL VIEW

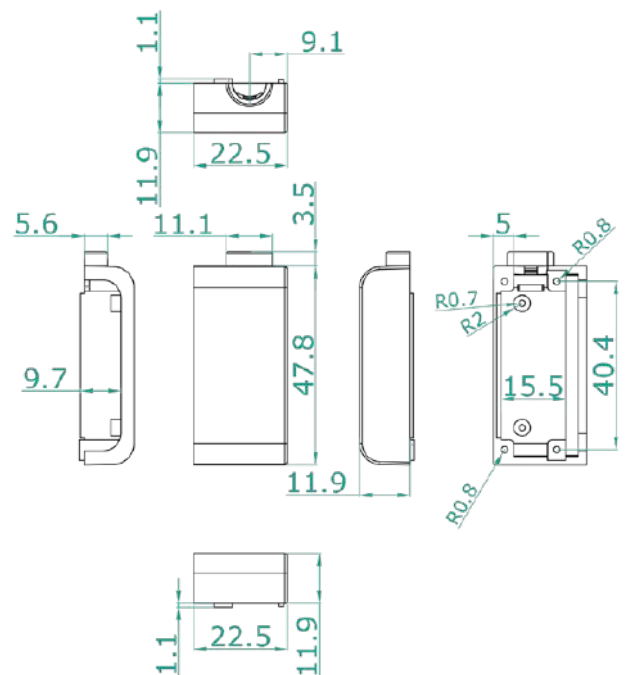


TECHNICAL DETAILS

FRONT



BACK



Note: dimensions are in mm

CODE	SEP-A-OBD-O
DESCRIPTION	Central box

EXTERNAL VIEW

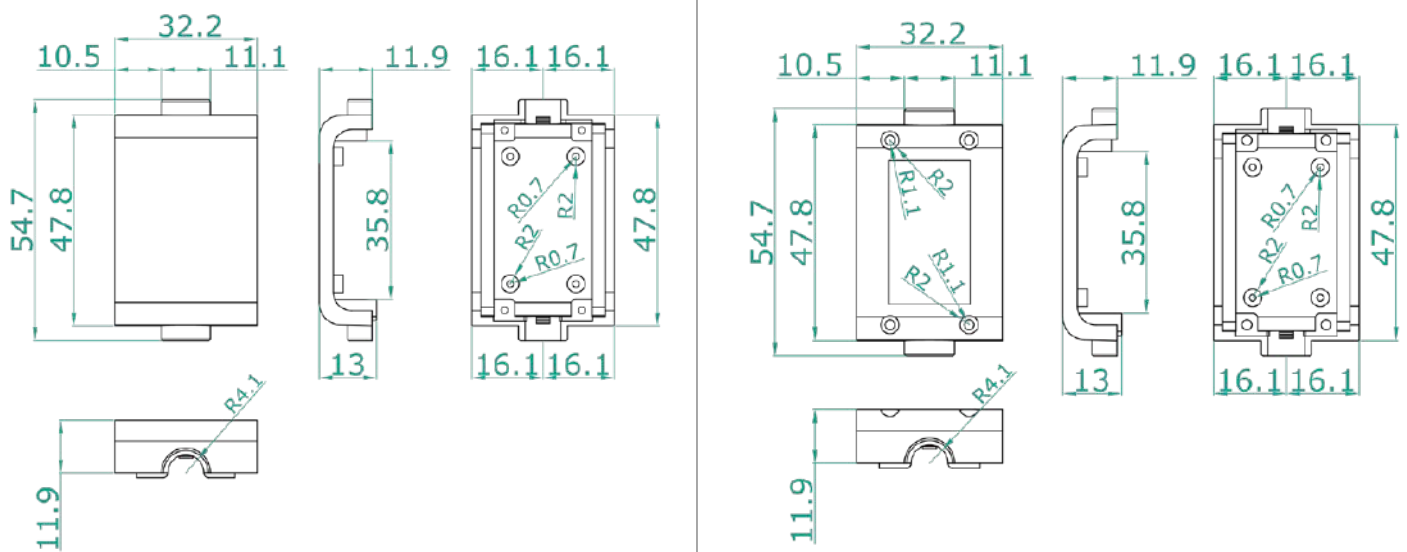
INTERNAL VIEW



TECHNICAL DETAILS

FRONT

BACK



Note: dimensions are in mm



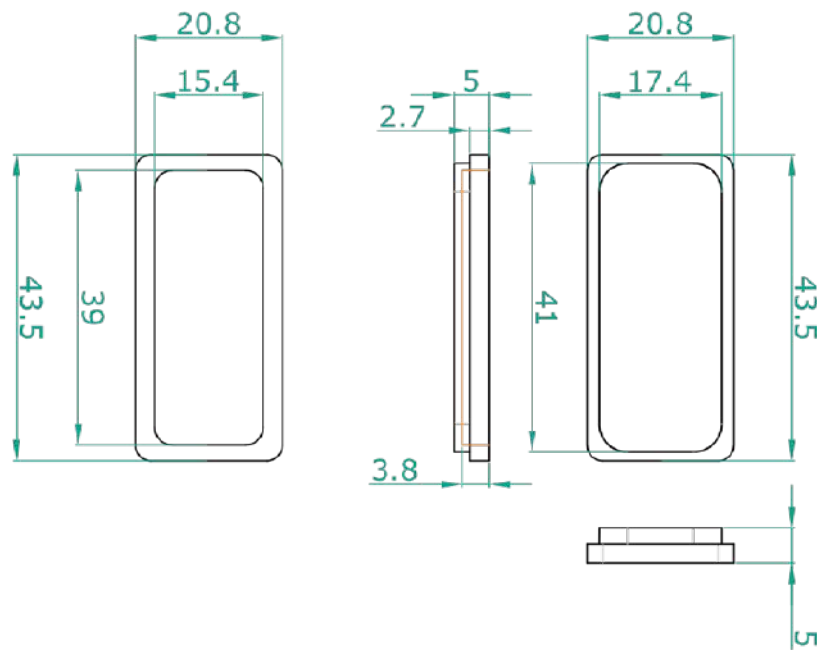
CODE	SEP-A-OBDB-B
DESCRIPTION	Side caps (2pcs)

FRONTAL VIEW

REAR VIEW



TECHNICAL DETAILS



Note: dimensions are in mm

CODE	SEP-A-OB-D-C
DESCRIPTION	Cable grommet cap

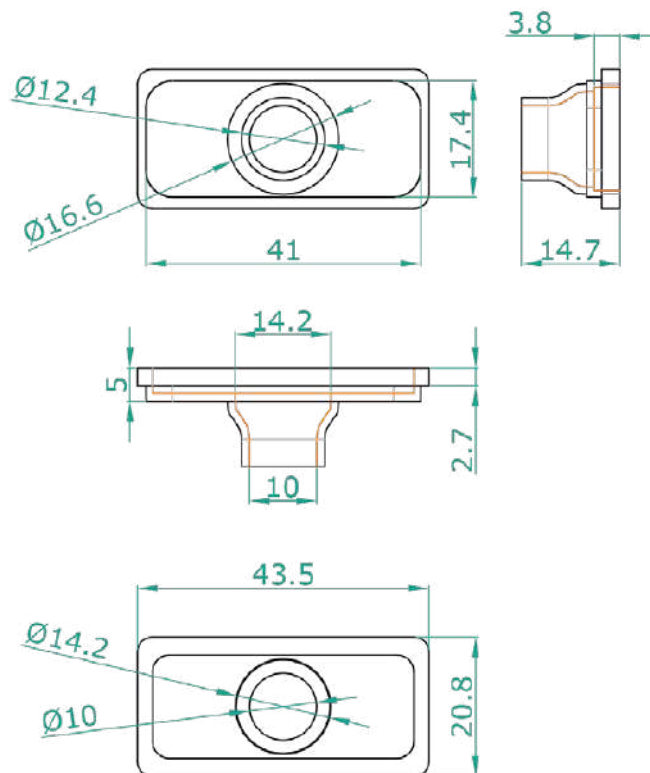
FRONTAL VIEW



REAR VIEW



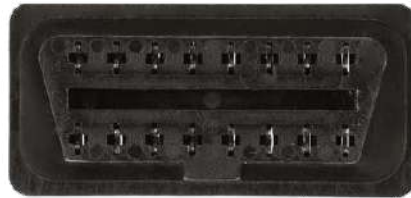
TECHNICAL DETAILS



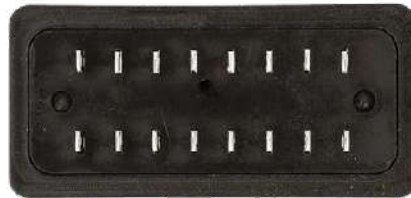
Note: dimensions are in mm

CODE	SEP-A-OB2-D2
DESCRIPTION	Female OBD2

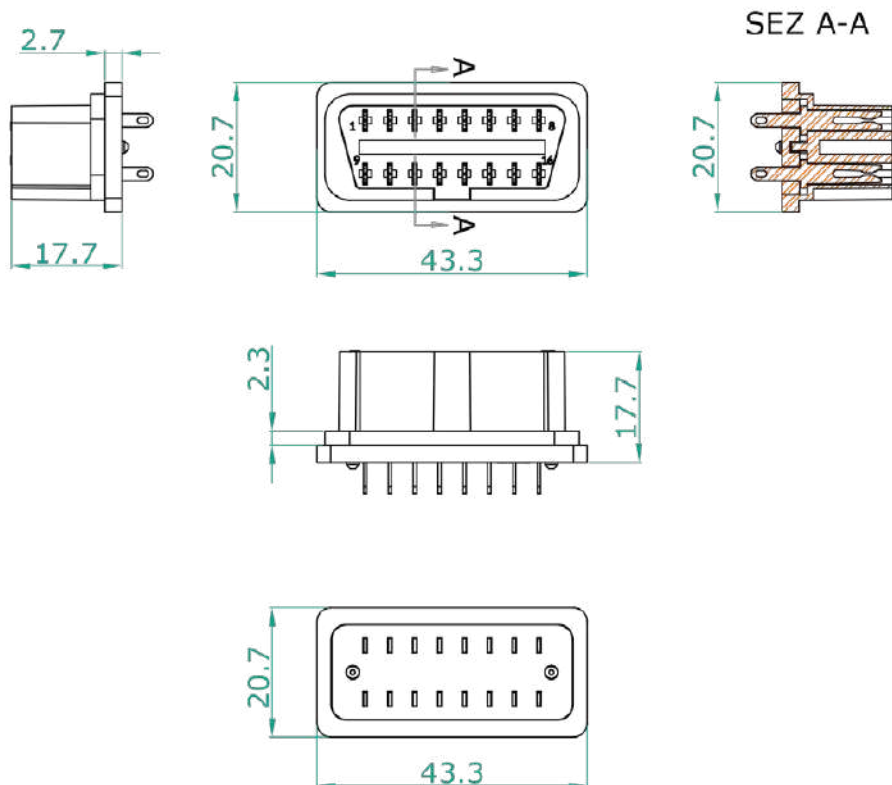
FRONTAL VIEW



REAR VIEW



TECHNICAL DETAILS



Note: dimensions are in mm

CODE	SEP-A-OB2-E2
DESCRIPTION	Male OBD2

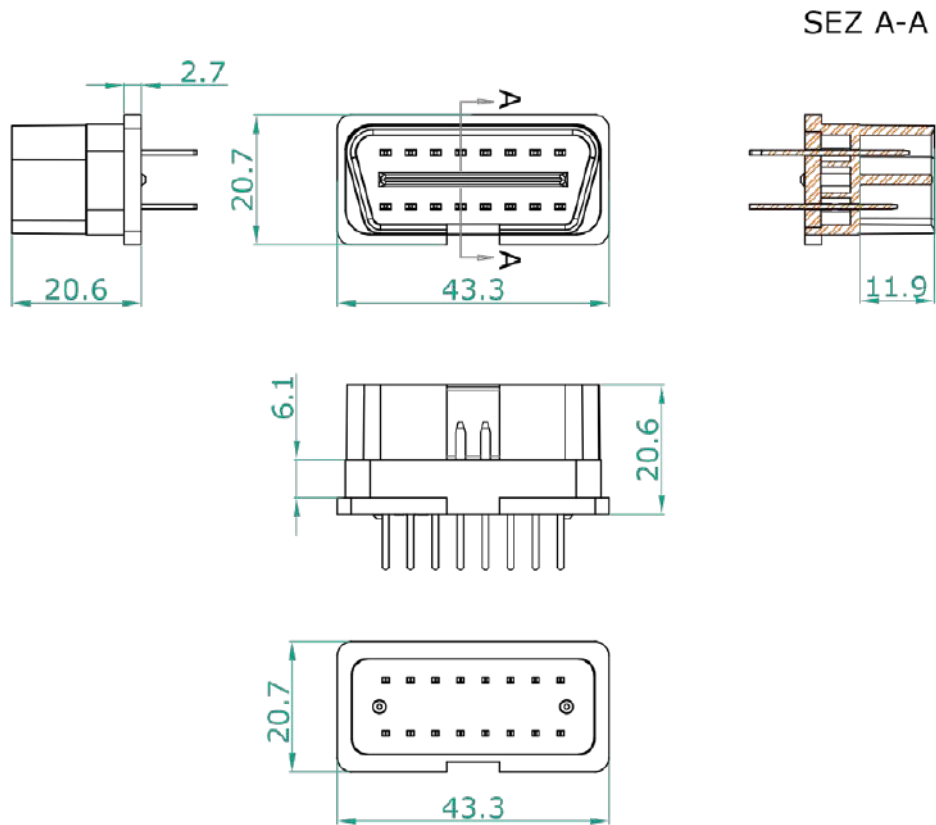
FRONTAL VIEW



REAR VIEW



TECHNICAL DETAILS



Note: dimensions are in mm

CODE	SEP-A-OB-D-G
DESCRIPTION	Milled cap for 9 pin D-sub connector

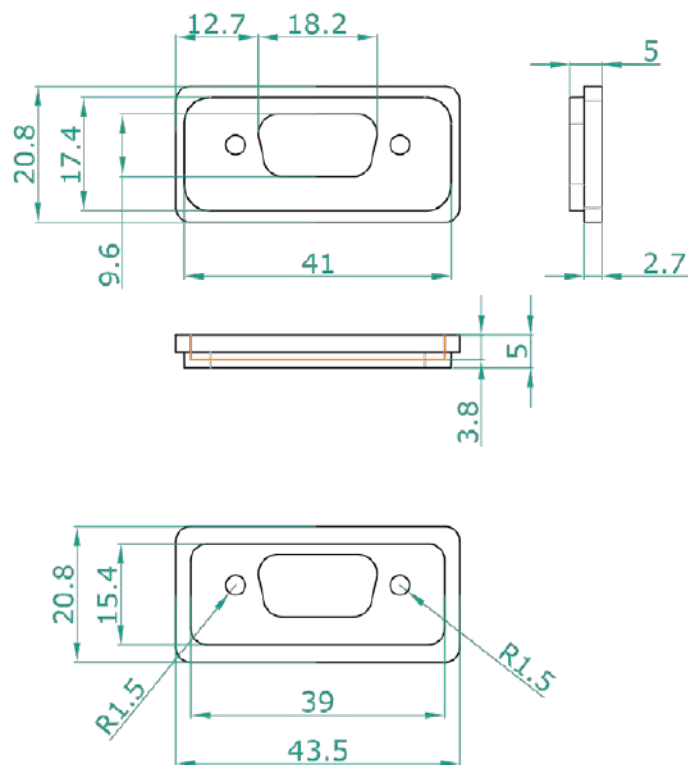
FRONTAL VIEW



REAR VIEW



TECHNICAL DETAILS



Note: dimensions are in mm

## Customization

SEP-A-OBDA, SEP-A-OBDF, SEP-A-OBDM, SEP-A-OBDL and SEP-A-OBDO can be personalized with customers' logo or with a particular milling.

	<h3>UV PRINT</h3>	
	<p style="text-align: center;"><b>ADVANTAGES</b></p> <ul style="list-style-type: none"> <li>• Coloured</li> <li>• More definition and clearness</li> </ul>	<p style="text-align: center;"><b>DISADVANTAGES</b></p> <ul style="list-style-type: none"> <li>• More expensive</li> <li>• Less resistant</li> <li>• Long time realization</li> </ul>
	<h3>LASER MARKING</h3>	
	<p style="text-align: center;"><b>ADVANTAGES</b></p> <ul style="list-style-type: none"> <li>• Cheaper</li> <li>• Faster to realize</li> <li>• More resistant</li> </ul>	<p style="text-align: center;"><b>DISADVANTAGES</b></p> <ul style="list-style-type: none"> <li>• Black and white</li> </ul>
	<h3>MILLING</h3>	
	<p style="text-align: center;"><i>The box can be milled and customized according to their own needs</i></p>	



## X-ON Electronics

Largest Supplier of Electrical and Electronic Components

*Click to view similar products for [Enclosures, Boxes & Cases](#) category:*

*Click to view products by [Minitools](#) manufacturer:*

Other Similar products are found below :

[M-10-PLATED](#) [60221-01](#) [M17-L-PLN](#) [M-21-PLATED](#) [63310-01-000](#) [6711GSKT](#) [90026-501-000](#) [PS36-200](#) [120-407](#) [138-PLAIN](#) [144011](#)  
[EAS-500 \(BLACK ANO\)](#) [2062750000](#) [KAB3421](#) [A0645271](#) [1928952](#) [2106-IR](#) [2792057](#) [2906241](#) [2906254](#) [2907981](#) [H5031](#) [CU-284](#)  
[MDC-532-PLAIN-ALUM](#) [B137](#) [5400TN](#) [UNC 2-4-6 PLAIN](#) [462-0020E](#) [0542100012](#) [043853](#) [103031](#) [11416P](#) [KR8-315](#) [UM-SE-A73-R](#)  
[BK](#) [2202158](#) [TUF 55 25 100 ME](#) [332-907](#) [4122](#) [52213](#) [24560-245](#) [736-409](#) [144012](#) [61-9480.6](#) [134573](#) [M18-L-PLTD](#) [73095-510-000](#)  
[CNM-0303 Black](#) [S3A-453213-S](#) [ALUG702RD040-IR](#) [07.6370000](#) [P/4.2](#)