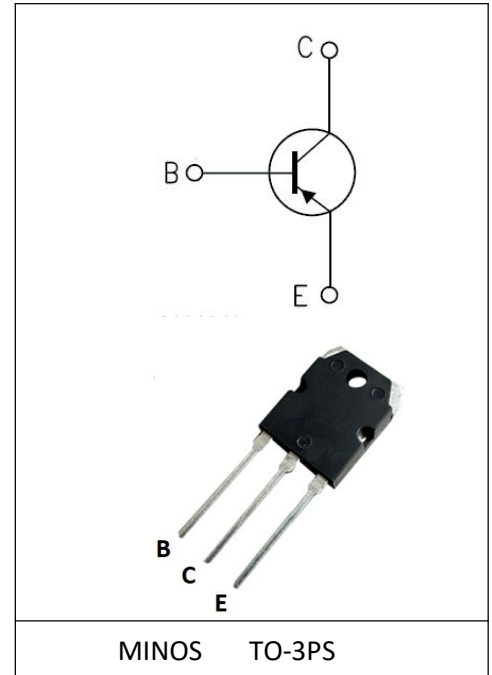


## 2SA1941

### Power Amplifier Applications

- Complementary to 2SC5198
- High collector voltage:  $V_{CEO} = -140V$  (min)
- Recommended for 100-W high-fidelity audio frequency amplifier Output stage

Note: Using continuously under heavy loads (e.g. the application of high temperature/current/voltage and the significant change in temperature, etc.) may cause this product to decrease in the reliability significantly even if the operating conditions (i.e. operating temperature/current/voltage, etc.) are within the absolute maximum ratings.



### Absolute Maximum Ratings( $T_c=25^\circ C$ ):

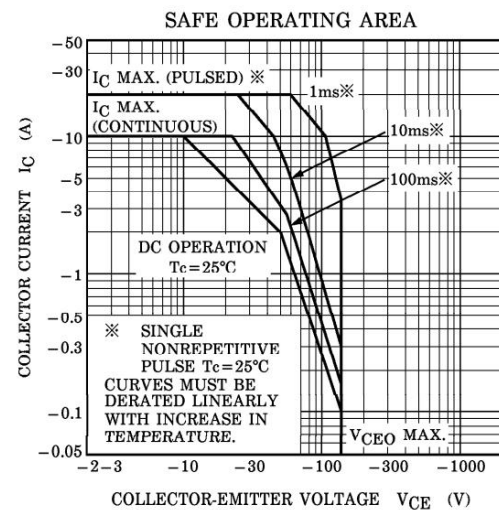
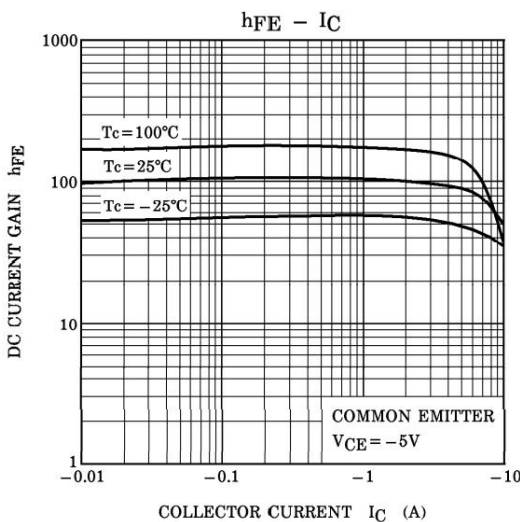
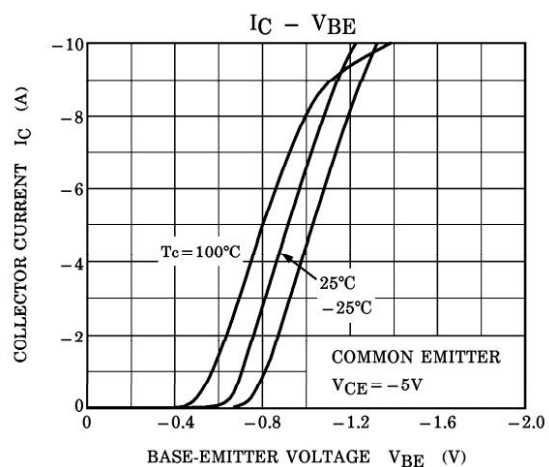
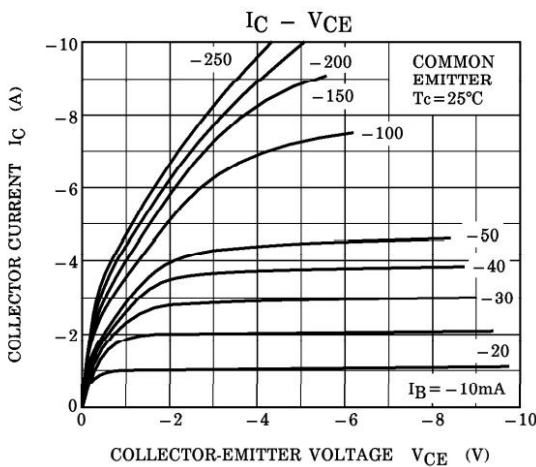
Characteristics	Symbol	Rating	Unit
Collector-base voltage	$V_{CBO}$	-140	V
Collector-emitter voltage	$V_{CEO}$	-140	V
Emitter-base voltage	$V_{EBO}$	-5	V
Collector current	$I_c$	-10	A
Base current	$I_B$	-1	A
Collector power dissipation ( $T_c=25^\circ C$ )	$P_c$	100	W
Junction temperature	$T_j$	150	$^\circ C$
Storage temperature range	$T_{STG}$	-55~150	$^\circ C$

**Electrical Characteristics (Tc=25°C):**

Characteristics	Symbol	Test Condition	Min	Typ	Max	Unit
Collector cut-off current	I <sub>CBO</sub>	V <sub>CB</sub> =-140V; I <sub>E</sub> =0			-5.0	uA
Emitter cut-off current	I <sub>EBO</sub>	V <sub>EB</sub> =-5V; I <sub>C</sub> =0			-5.0	uA
Collector-emitter breakdown voltage	V <sub>(BR)CEO</sub>	I <sub>C</sub> =-50mA; I <sub>B</sub> =0	-140			V
DC current gain	h <sub>FE</sub>	I <sub>C</sub> =-1A; V <sub>CE</sub> =-5V	55		160	
	h <sub>FE(2)</sub>	I <sub>C</sub> =-5A; V <sub>CE</sub> =-5V	35	83		
Collector-emitter saturation voltage	V <sub>CE(sat)</sub>	I <sub>C</sub> =-8A; I <sub>B</sub> =-0.8A		-0.8	-2.5	V
Base-emitter voltage	V <sub>BE</sub>	V <sub>CE</sub> =-5V; I <sub>C</sub> =-5A		-1.0	-1.5	V
Transition frequency	f <sub>T</sub>	V <sub>CE</sub> =-5V; I <sub>C</sub> =-1A		30		MHz

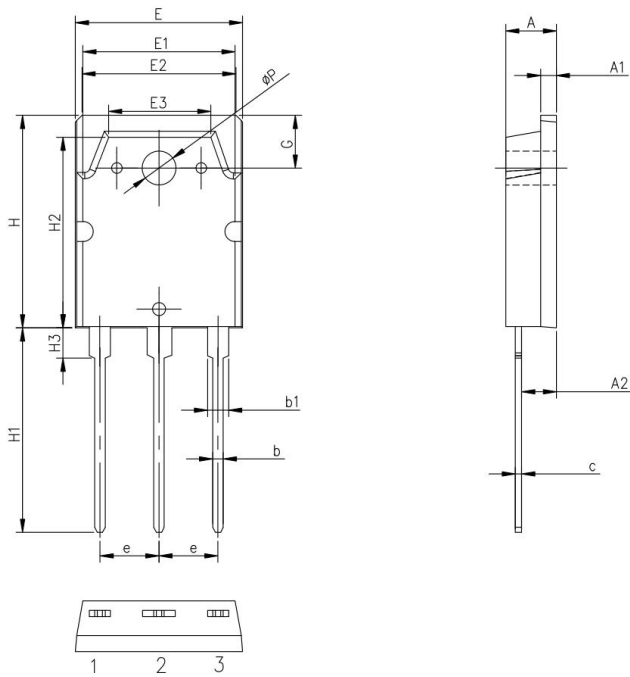
Symbol	Parameter	Typ	Units
R <sub>θJC</sub>	Junction-to-Case	0.35	°C/W

**TYPICAL CHARACTERISTICS**



## Package Information

### TO-3PS PACKAGE



Symbol	单位 mm		
	Min	Nom	Max
A	4.30	4.50	4.70
A1	1.3	1.5	1.7
A2	2.50	2.70	2.90
b	0.80	1.0	1.20
b1	1.80	2.00	2.20
c	0.50	0.60	0.70
e	5.25	5.45	5.65
E	15.1	15.5	15.9
E1	13.1	13.3	13.5
E2	13.2	13.4	13.6
E3	9.1	9.3	9.5
H	19.8	20.0	20.2
H1	20.0	20.5	21.0
H2	18.3	18.5	18.7
H3	2.8	3.0	3.2
G	4.30	4.50	4.70
ΦP	3.00	3.20	3.40

-Headquarters

SHENZHEN MINOS TECHNOLOGY CO.,LTD

22B, Floor 22, Chengshitianmian Building, No. 4026 of Shennanzhong Road, Futian District, Shenzhen

Tel:+86-0755-83273777 Fax:+86-0755-83224033

## X-ON Electronics

Largest Supplier of Electrical and Electronic Components

*Click to view similar products for [Bipolar Transistors - BJT category](#):*

*Click to view products by [Minos manufacturer](#):*

Other Similar products are found below :

[BC559C](#) [MCH4017-TL-H](#) [MMBT-2369-TR](#) [BC546/116](#) [NJVMJD148T4G](#) [NTE16](#) [NTE195A](#) [IMX9T110](#) [2N4401-A](#) [2N6728](#) [2SA1419T-TD-H](#) [2SB1204S-TL-E](#) [2SC5488A-TL-H](#) [FMC5AT148](#) [2N2369ADCSM](#) [2N2907A](#) [2N3904-NS](#) [2N5769](#) [2SC4618TLN](#) [CPH6501-TL-E](#) [BC856BW-13-F](#) [US6T6TR](#) [BAX18/A52R](#) [BC556/112](#) [IMZ2AT108](#) [MMST8098T146](#) [MCH6102-TL-E](#) [BC846B-13-F](#) [2N3879](#) [30A02MH-TL-E](#) [NTE13](#) [NTE282](#) [NTE323](#) [NTE350](#) [NTE81](#) [JANTX2N2920L](#) [JANSR2N2907AUB](#) [CMLT3946EG TR](#) [SNSS40600CF8T1G](#) [CMLT3906EG TR](#) [GRP-DATA-JANS2N2907AUB](#) [GRP-DATA-JANS2N2222AUA](#) [MMDT3946FL3-7](#) [2N4240](#) [JANS2N3019](#) [MSB30KH-13](#) [2N2221AUB](#) [2SD1815T-TL-E](#) [2N6678](#) [2N2907Ae4](#)