

Silicon N-Channel Power MOSFET

Description

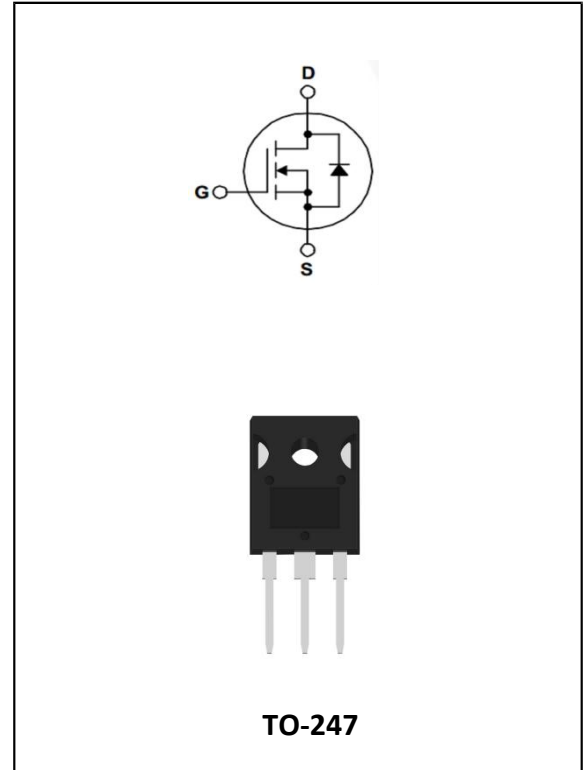
The IRFP4227 uses advanced trench technology and design to provide excellent RDS(ON) . It can be used in a wide variety of applications.

General Features

- ① $V_{DS}=200V$, $I_D=65A$
 $R_{dson} \cong 20m\Omega @V_{GS}=10V$ (Typ:20m Ω)
 $R_{dson} \cong 25m\Omega @V_{GS}=4.5V$ (Typ:25m Ω)
- ② Low ON Resistance
- ③ Low Reverse transfer capacitances
- ④ 100% Single Pulse avalanche energy Test

Application

- ① Power Switching application
- ② Load switch



Package Marking And Ordering Information:

Ordering Codes	Package	Product Code	Packing
IRFP4227	TO-247	IRFP4227	Tube

Electrical Characteristics @ Ta=25°C (unless otherwise specified)

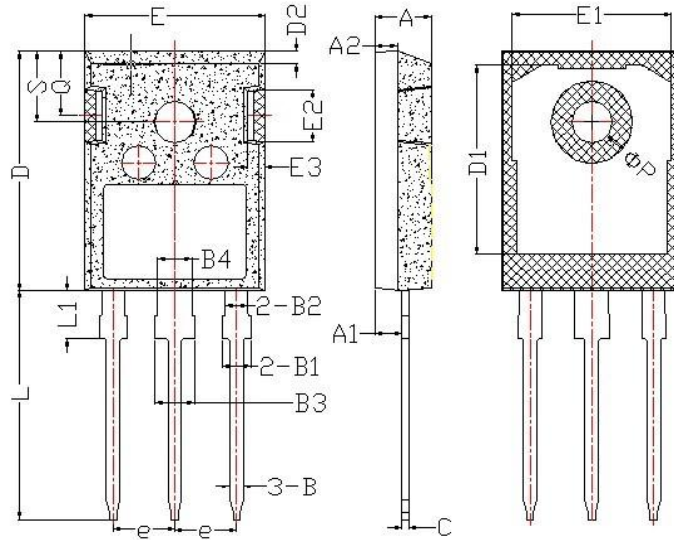
Limited Parameters:

Symbol	Parameter	Value	Units
V_{DSS}	Drain-to-Source Breakdown Voltage	200	V
I_D	Drain Current (continuous) at Tc=25°C	65	A
I_{DM}	Drain Current (pulsed)	300	A
V_{GS}	Gate to Source Voltage	+/-20	V
P_{tot}	Total Dissipation at Tc=25°C	150	W
T_j	Max. Operating Junction Temperature	175	°C
Eas	Single Pulse Avalanche Energy	256	mj

Electrical Parameters:

Symbol	Parameter	Test Conditions	Min	Typ	Max	Unit
V_{DS}	Drain-source Voltage	$V_{GS}=0V, I_D=250\mu A$	200	220		V
$R_{DS(on)}$	Static Drain-to-Source on-Resistance	$V_{GS}=10V, I_D=46A$		20	25	m Ω
		$V_{GS}=4.5V, I_D=46A$		25	30	m Ω
$V_{GS(th)}$	Gated Threshold Voltage	$V_{DS}=V_{GS}, I_D=250\mu A$	3.0	3.9	5.0	V
I_{DSS}	Zero Gate Voltage Drain Current	$V_{DS}=200V, V_{GS}=0V$			1.0	μA
$I_{GSS(F)}$	Gated Body Leakage Current	$V_{GS}=+20V,$			100	nA
$I_{GSS(R)}$	Gated Body Leakage Current	$V_{GS}=-20V,$			-100	nA
C_{iss}	Input Capacitance	$V_{GS}=0V,$ $V_{DS}=25V,$ $f=1.0MHz$		2200		pF
C_{oss}	Output Capacitance			225		pF
C_{rss}	Reverse Transfer Capacitance			165		pF
Q_g	Total Gate Charge	$V_{DS}=25V$		58		nC
Q_{gs}	Gate-Source Charge	$I_D=46A$		6		nC
Q_{gd}	Gate-Drain Charge	$V_{GS}=10V$		15		nC
Symbol	Parameter	Test Conditions	Min	Typ	Max	Unit
$t_{d(on)}$	Turn-on Delay Time	$V_{DD}=25V, I_D=46A, R_L=0.3\Omega$ $V_{GS}=10V, R_G=6.8\Omega$		20		nS
t_r	Turn-on Rise Time			90		nS
$t_{d(off)}$	Turn-off Delay Time			45		nS
t_f	Turn-off Fall Time			90		nS
Symbol	Paramet	Test Conditions	Min	Typ	Max	Unit
I_{SD}	S-D Current(Body Diode)			65		A
I_{SDM}	Pulsed S-D Current(BodyDiode)			300		A
V_{SD}	Diode Forward Voltage	$V_{GS}=0V, I_{DS}=46A$			1.4	V
t_{rr}	Reverse Recovery Time	$T_J=25^\circ C, I_F=46A$ $di/dt=100A/us$		102		nS
Q_{rr}	Reverse Recovery Charge				50	
*Pulse Test: Pulse Width $\leq 300\mu s$, Duty Cycle $\leq 2\%$						
Symbol	Paramter	Typ			Units	
$R_{\theta JC}$	Junction-to-Case	1.3			$^\circ C/W$	

Package Description



Items	Values(mm)	
	MIN	MAX
A	4.6	5.2
A1	2,2	2.6
B	0.9	1.4
B1	1.75	2.35
B2	1.75	2.15
B3	2.8	3.35
B4	2.8	3.15
C	0.5	0.7
D	20.60	21.30
D1	16	18
E	15.5	16.10
E1	13	14.7
E2	3.80	5.3
E3	0.8	2.60
e	5.2	5.7
L	19	20.5
L1	3.9	4.6
ΦP	2.5	3.70
Q	5.2	6.00
S	5.8	6.6

TO-247 Package



NOTE:

1. Exceeding the maximum ratings of the device in performance may cause damage to the device, even the permanent failure, which may affect the dependability of the machine. Please do not exceed the absolute maximum ratings of the device when circuit designing.
2. When installing the heat sink, please pay attention to the torsional moment and the smoothness of the heat sink.
3. MOSFETs is the device which is sensitive to the static electricity, it is necessary to protect the device from being damaged by the static electricity when using it.
4. Shenzhen Minos reserves the right to make changes in this specification sheet and is subject to change without prior notice.

CONTACT:

深圳市迈诺斯科技有限公司（总部）

地址：深圳市福田区华富街道田面社区深南中路4026号田面城市大厦22B-22C

邮编：518025

电话：0755-83273777

X-ON Electronics

Largest Supplier of Electrical and Electronic Components

Click to view similar products for [MOSFET](#) category:

Click to view products by [Minos](#) manufacturer:

Other Similar products are found below :

[IRFD120](#) [IRFY240C](#) [JANTX2N5237](#) [2SK2267\(Q\)](#) [BUK455-60A/B](#) [MIC4420CM-TR](#) [VN1206L](#) [NDP4060](#) [SI4482DY](#)
[IPS70R2K0CEAKMA1](#) [SQD23N06-31L-GE3](#) [TK16J60W,S1VQ\(O](#) [2SK2614\(TE16L1,Q\)](#) [DMN1017UCP3-7](#) [EFC2J004NUZTDG](#)
[DMN1053UCP4-7](#) [SQJ469EP-T1-GE3](#) [NTE2384](#) [DMC2700UDMQ-7](#) [DMN2080UCB4-7](#) [DMN61D9UWQ-13](#) [US6M2GTR](#)
[DMN31D5UDJ-7](#) [DMP22D4UFO-7B](#) [DMN1006UCA6-7](#) [DMN16M9UCA6-7](#) [STF5N65M6](#) [IRF40H233XTMA1](#) [STU5N65M6](#)
[DMN6022SSD-13](#) [DMN13M9UCA6-7](#) [DMTH10H4M6SPS-13](#) [DMN2990UFB-7B](#) [IPB80P04P405ATMA2](#) [2N7002W-G](#) [MCAC30N06Y-](#)
[TP](#) [MCQ7328-TP](#) [NTMC083NP10M5L](#) [NVMFS2D3P04M8LT1G](#) [BXP7N65D](#) [BXP4N65F](#) [AOL1454G](#) [WMJ80N60C4](#) [BXP2N20L](#)
[BXP2N65D](#) [BXT1150N10J](#) [BXT1700P06M](#) [TSM60NB380CP](#) [ROG](#) [RQ7L055BGTCR](#) [DMNH15H110SK3-13](#)