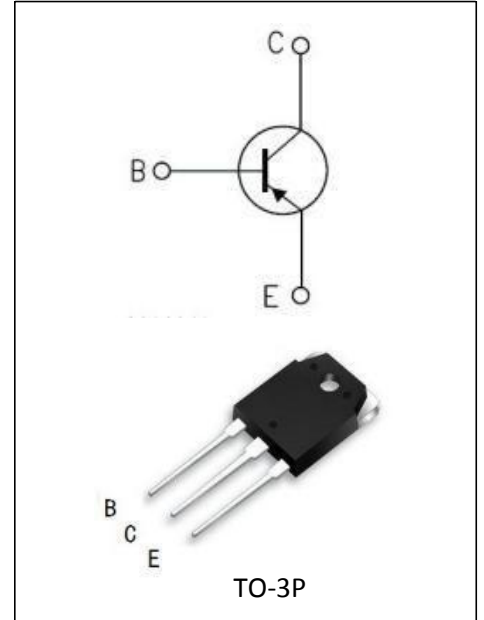


MINOS Silicon PNP Epitaxial Type

Power Amplifier Applications

- ① Complementary to NJW0281G
- ② High collector voltage:  $V_{CEO} = -230V(\text{min})$
- ③ Recommended for 100-W high-fidelity audio frequency amplifier Output stage

Note: Using continuously under heavy loads (e.g. the application of high temperature/current/voltage and the significant change in temperature, etc.) may cause this product to decrease in the reliability significantly even if the operating conditions (i.e. operating temperature/current/voltage, etc.) are within the absolute maximum ratings.



Package Marking And Ordering Information

Ordering Codes	Package	Product Code	Packing
NJW0302G	TO-3P	NJW0302G	Tube

Absolute Maximum (°C):

Characteristics	Symbol	Rating	Unit
Collector-base voltage	$V_{CBO}$	-230	V
Collector-emitter voltage	$V_{CEO}$	-230	V
Emitter-base voltage	$V_{EBO}$	-5	V
Collector current	$I_C$	-15	A
Base current	$I_B$	-1.5	A
Collector power dissipation (Tc=25°C)	$P_C$	150	W
Junction temperature	$T_j$	150	°C
Storage temperature range	$T_{STG}$	-55~150	°C

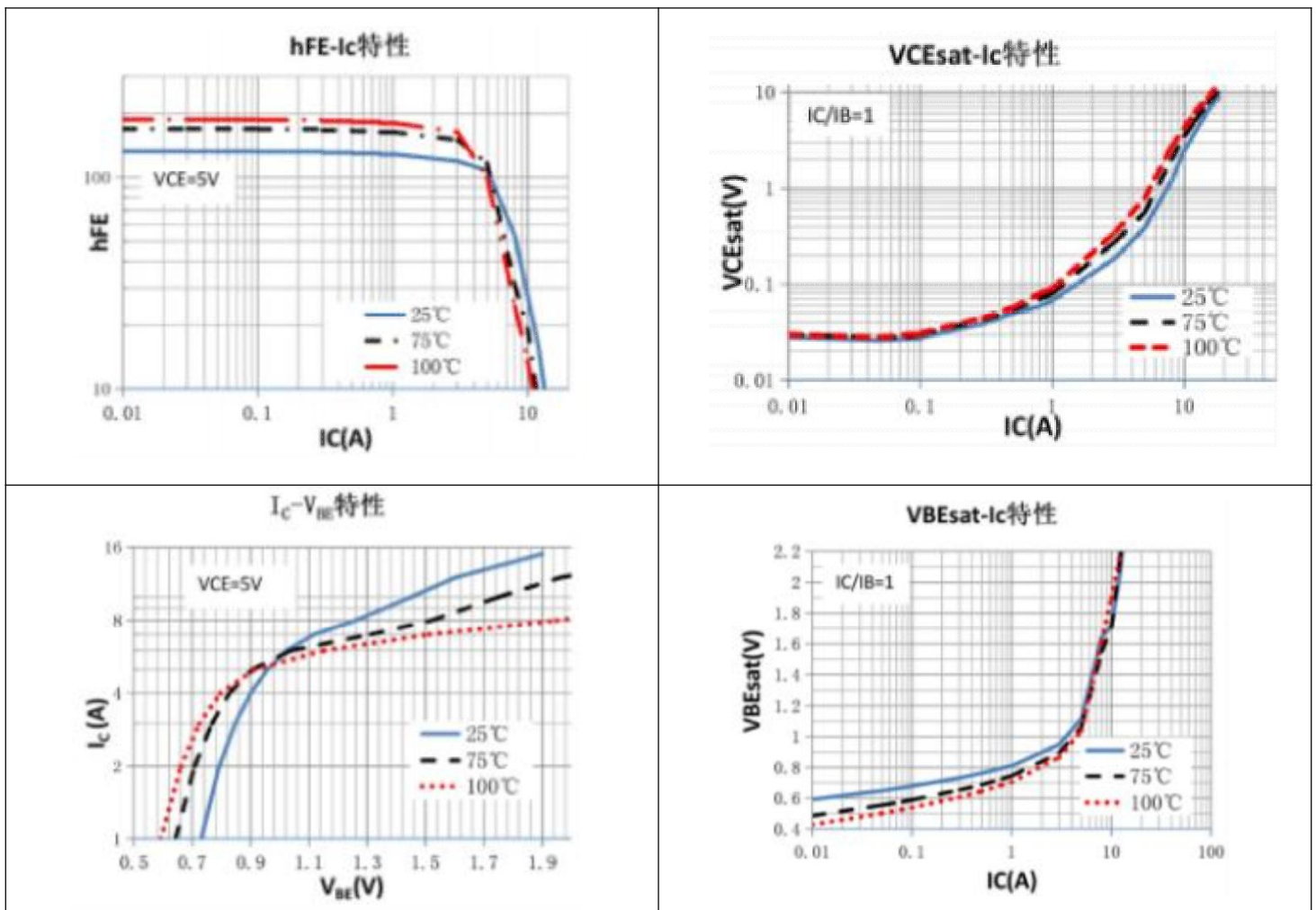
Electrical Characteristics (°C):

Characteristics	Symbol	Test Condition	Min	Typ	Max	Unit
Collector cut-off current	$I_{CBO}$	$V_{CB} = -230V; I_E = 0$			-10.0	μA
Emitter cut-off current	$I_{EBO}$	$V_{EB} = -5V; I_C = 0$			-10.0	μA
Collector-emitter breakdown voltage	$V_{(BR)CEO}$	$I_C = -50mA; I_B = 0$	-230			V
DC current gain	$h_{FE}$	$I_C = -5A; V_{CE} = -1V$	80		160	
	$h_{FE(2)}$	$I_C = -5A; V_{CE} = -7V$	35			

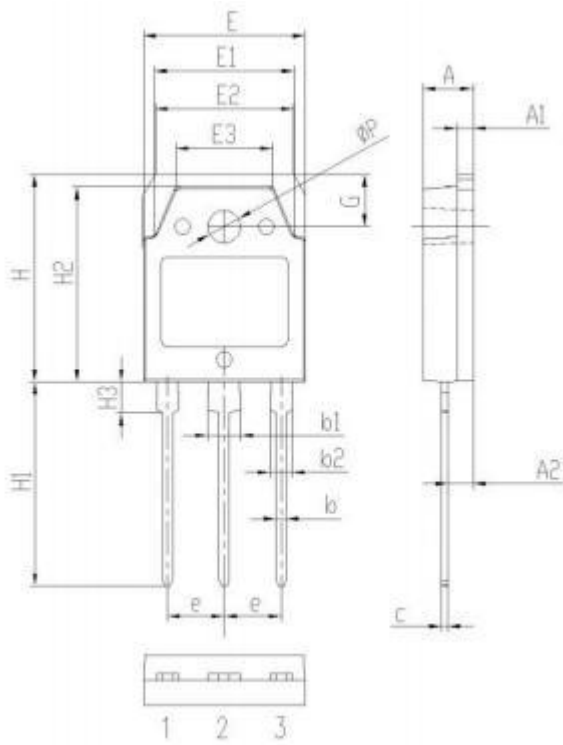
Collector-emitter saturation voltage	$V_{CE(sat)}$	$I_C=-8A; I_B=-0.8A$			-3.0	V
Base-emitter voltage	$V_{BE}$	$V_{CE}=-5V; I_C=-7A$			-1.5	V
Transition frequency	$f_T$	$V_{CE}=-5V; I_C=-1A$		30		MHz

Symbol	Parameter	Typ	Units
$R_{\theta JC}$	Junction-to-Case	0.35	$^{\circ}C/W$

TYPICAL CHARACTERISTICS



Package Information



Symbol	Dimensions (millimeters)	
	Min.	Max.
A	4.60	5.00
A1	1.30	1.70
A2	2.20	2.60
b	0.80	1.20
b1	2.90	3.30
b2	1.90	2.30
c	0.40	0.80
e	5.25	5.65
E	15.3	15.7
E1	13.2	13.6
E2	13.1	13.5
E3	9.10	9.50
H	19.7	20.1
H1	19.1	20.1
H2	18.3	18.7
H3	2.80	3.20
G	4.80	5.20
$\Phi P$	3.00	3.40

TO-3PB PACKAGE



**NOTE:**

1. Exceeding the maximum ratings of the device in performance may cause damage to the device, even the permanent failure, which may affect the dependability of the machine. Please do not exceed the absolute maximum ratings of the device when circuit designing.
2. When installing the heat sink, please pay attention to the torsional moment and the smoothness of the heat sink.
3. MOSFETs is the device which is sensitive to the static electricity, it is necessary to protect the device from being damaged by the static electricity when using it.
4. Shenzhen Minos reserves the right to make changes in this specification sheet and is subject to change without prior notice.

**CONTACT:**

**深圳市迈诺斯科技有限公司（总部）**

地址：深圳市福田区华富街道田面社区深南中路4026号田面城市大厦22B-22C

邮编：518025

电话：0755-83273777

## X-ON Electronics

Largest Supplier of Electrical and Electronic Components

*Click to view similar products for [Bipolar Transistors - BJT category](#):*

*Click to view products by [Minos manufacturer](#):*

Other Similar products are found below :

[BC559C](#) [MCH4017-TL-H](#) [MMBT-2369-TR](#) [BC546/116](#) [NJVMJD148T4G](#) [NTE16](#) [NTE195A](#) [IMX9T110](#) [2N4401-A](#) [2N6728](#) [2SA1419T-TD-H](#) [2SB1204S-TL-E](#) [2SC5488A-TL-H](#) [FMC5AT148](#) [2N2369ADCSM](#) [2N2907A](#) [2N3904-NS](#) [2N5769](#) [2SC4618TLN](#) [CPH6501-TL-E](#) [BC856BW-13-F](#) [US6T6TR](#) [BAX18/A52R](#) [BC556/112](#) [IMZ2AT108](#) [MMST8098T146](#) [MCH6102-TL-E](#) [BC846B-13-F](#) [2N3879](#) [30A02MH-TL-E](#) [NTE13](#) [NTE282](#) [NTE323](#) [NTE350](#) [NTE81](#) [JANTX2N2920L](#) [JANSR2N2907AUB](#) [CMLT3946EG TR](#) [SNSS40600CF8T1G](#) [CMLT3906EG TR](#) [GRP-DATA-JANS2N2907AUB](#) [GRP-DATA-JANS2N2222AUA](#) [MMDT3946FL3-7](#) [2N4240](#) [JANS2N3019](#) [MSB30KH-13](#) [2N2221AUB](#) [2SD1815T-TL-E](#) [2N6678](#) [2N2907Ae4](#)