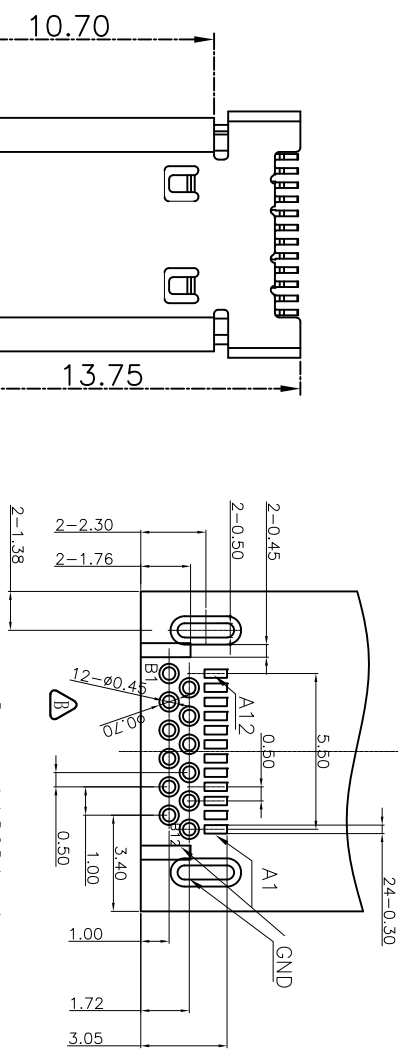
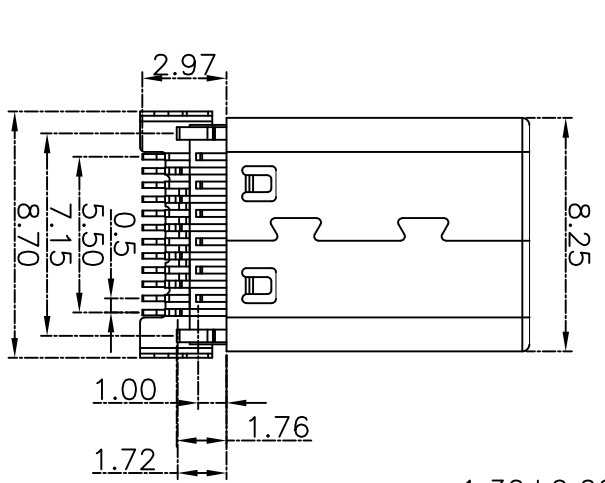
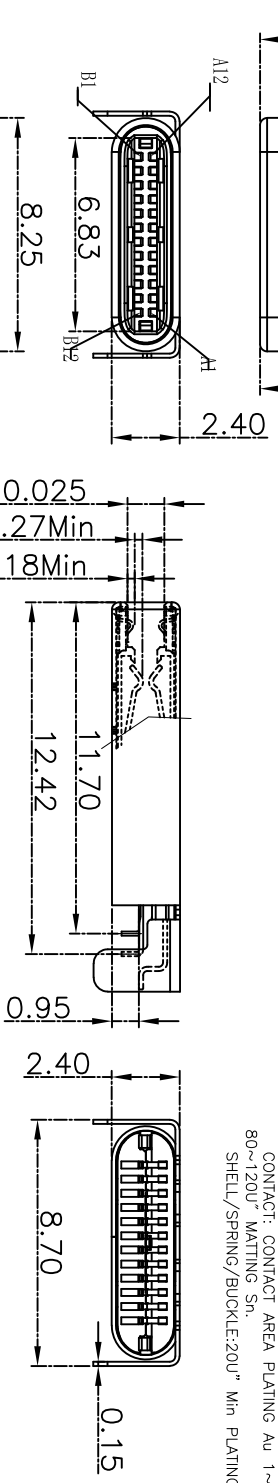


REV.	ECN. NO.	APPD.
A		



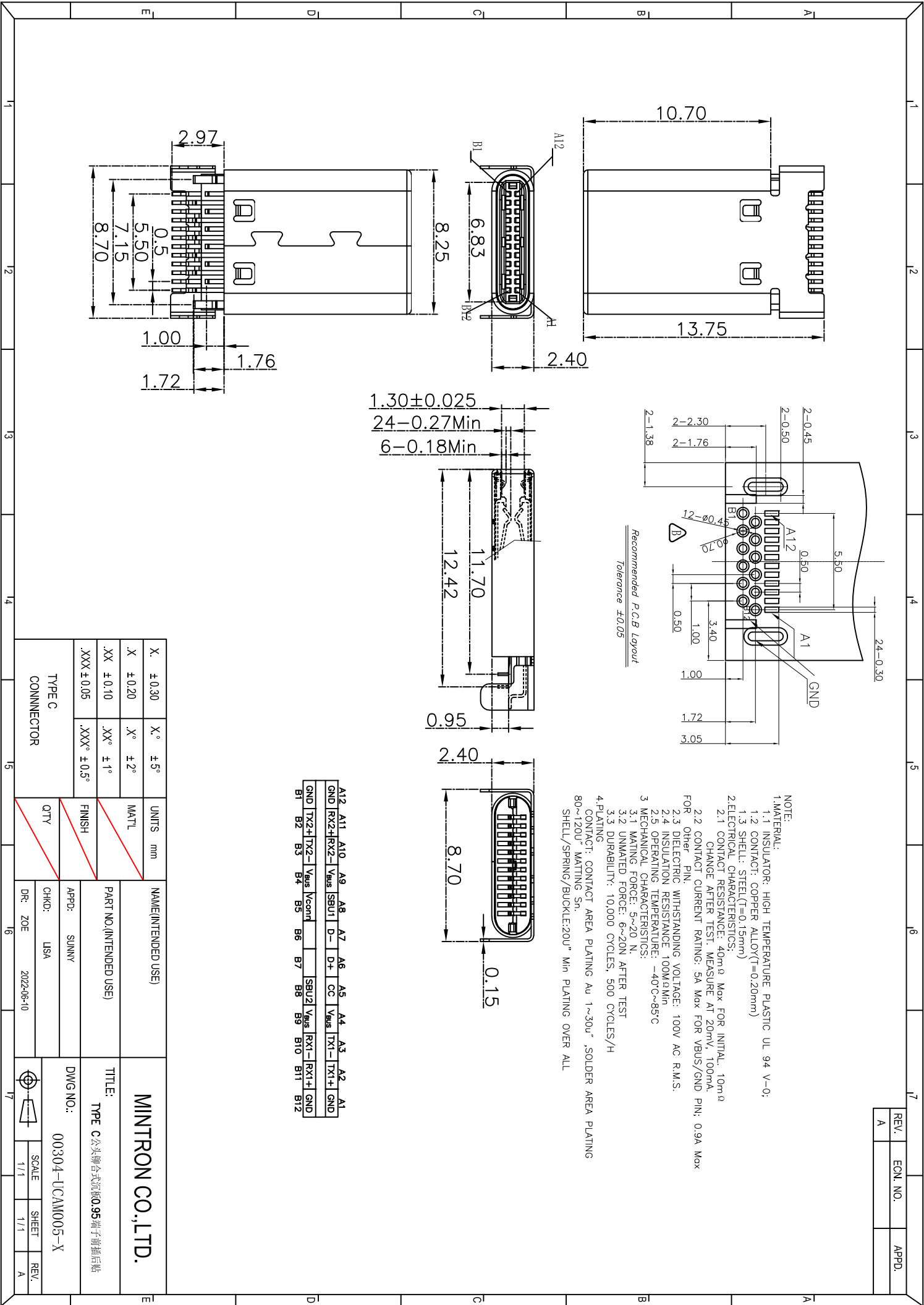
Recommended P.C.B Layout
Tolerance ±0.05

- NOTE:
- 1.1 INSULATOR: HIGH TEMPERATURE PLASTIC UL 94 V-0;
 - 1.2 CONTACT: COPPER ALLOY(T=0.20mm)
 - 1.3 SHELL: STEEL(T=0.15mm)
 2. ELECTRICAL CHARACTERISTICS:
 - 2.1 CONTACT RESISTANCE: 40mΩ Max FOR INITIAL, 10mΩ CHANGE AFTER TEST MEASURE AT 20mV, 100mA.
 - 2.2 CONTACT CURRENT RATING: 5A Max FOR VBUS/GND PIN; 0.9A Max FOR Other PIN.
 - 2.3 DIELECTRIC WITHSTANDING VOLTAGE: 100V AC R.M.S.
 - 2.4 INSULATION RESISTANCE: 100MΩMin
 - 2.5 OPERATING TEMPERATURE: -40°C~85°C
 3. MECHANICAL CHARACTERISTICS:
 - 3.1 MATING FORCE: 5~20 N.
 - 3.2 UNMATED FORCE: 6~20N AFTER TEST
 - 3.3 DURABILITY: 10,000 CYCLES, 500 CYCLES/H
 4. PLATING: CONTACT AREA PLATING Au 1~30u", SOLDER AREA PLATING 80~120u" MATING Sn. SHELL/SPRING/BUCKLE:20u" Min PLATING OVER ALL



A12	A11	A10	A9	A8	A7	A6	A5	A4	A3	A2	A1
GND	Rx2+	Rx2-	Vbus	SBU1	D-	D+	CC	Vbus	Tx1-	Tx1+	GND
B1	B2	B3	B4	B5	B6	B7	B8	B9	B10	B11	B12

X. ±0.30	X° ±5°	UNITS mm	NAME(INTENDED USE)	MINTRON CO.,LTD.
X ±0.20	X° ±2°	MATL		
.XX ±0.10	.XX° ±1°		PART NO.(INTENDED USE)	TITLE: TYPE C 公头铜壳式沉板0.95端子前插后贴
.XXX ±0.05	.XXX° ±0.5°	FINISH	APPD: SUNNY	DWG NO.: 00304-UCAM005-X
TYPE C CONNECTOR		QTY	CHKD: LISA	SCALE SHEET REV. A
			DR: ZOE	1/1



X-ON Electronics

Largest Supplier of Electrical and Electronic Components

Click to view similar products for [USB Connectors](#) category:

Click to view products by [MINTRON](#) manufacturer:

Other Similar products are found below :

[950](#) [A-USB B-TOP-C](#) [MUSBA511N5](#) [MUSBC111M5](#) [MUSBD11135](#) [17-200721](#) [217450-1](#) [KMBVX-TH-5S-B30](#) [896-30-004-00-000000](#)
[KUSBX-AS2N-W](#) [KUSBX-SMT2AP1S-W30](#) [935](#) [957](#) [30-498-6](#) [SK-60A-2](#) [1734082-1](#) [30-1574](#) [30-470](#) [30-489](#) [30-541](#) [A-USB A-2P-C](#)
[MIKROE-1451](#) [USBFTV2PEM2G](#) [USBFTVSCCG](#) [4689-1](#) [1-1734084-2](#) [MUSBC11135](#) [USBF21ZNSCC](#) [USBBFTV6ZC](#) [MUSBB151341](#)
[10135326-001LF](#) [M9177/3-1](#) [TJ-105](#) [USB-A-S-F-B-VT](#) [4198](#) [690-024-633-031](#) [UB-20PMFP-LC7001](#) [USBFTVC6MRG](#) [UA-20BMFA-](#)
[SL8001](#) [17-200011](#) [USBFTVC7ZC](#) [UB-20AFMM-LL7A01](#) [USBFTVC2MN](#) [CAP-WCCMLPB1](#) [1310-1031-01](#) [2041386-1](#) [2274475-3](#) [UB-](#)
[20BMFA-SL8001](#) [UB-20PMFP-SC8003](#) [914-614A2025S10200](#)