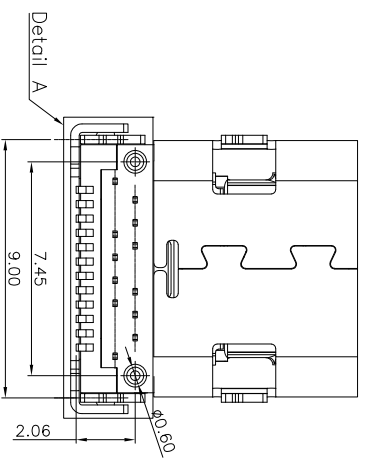
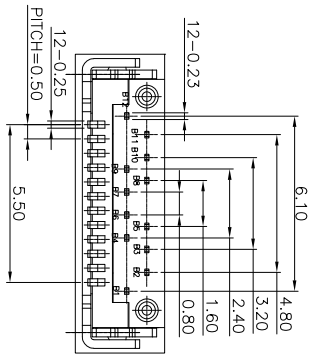
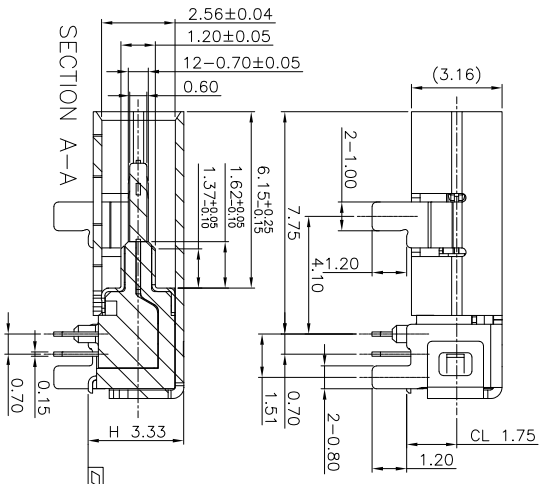
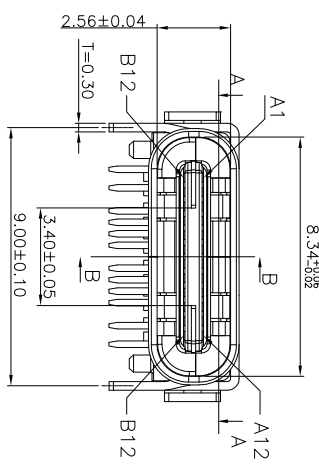
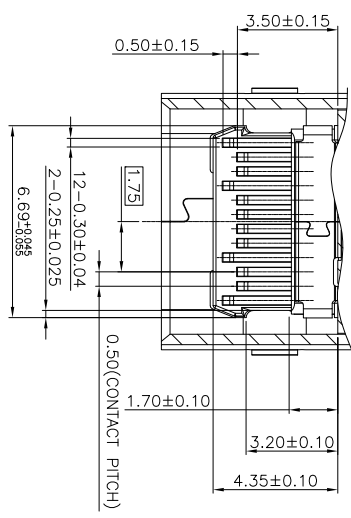
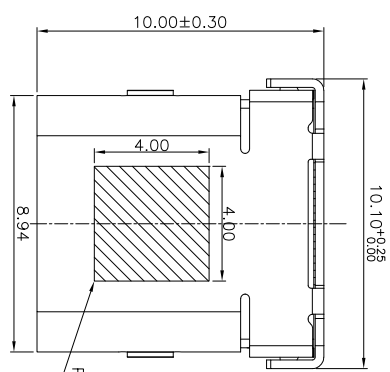


REV.	ECH. NO.	APPD.
A		



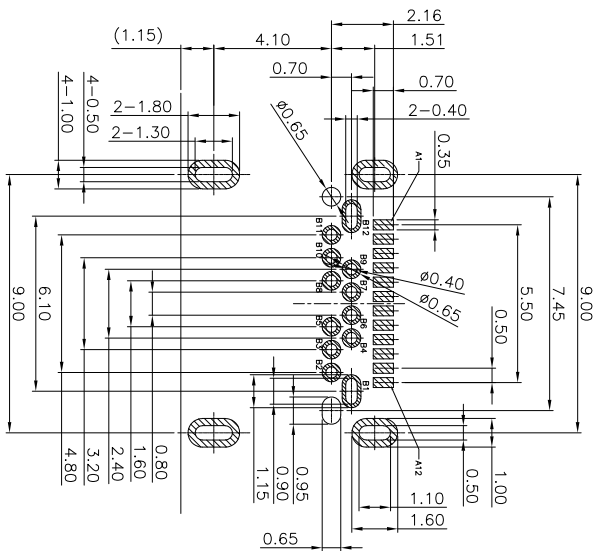
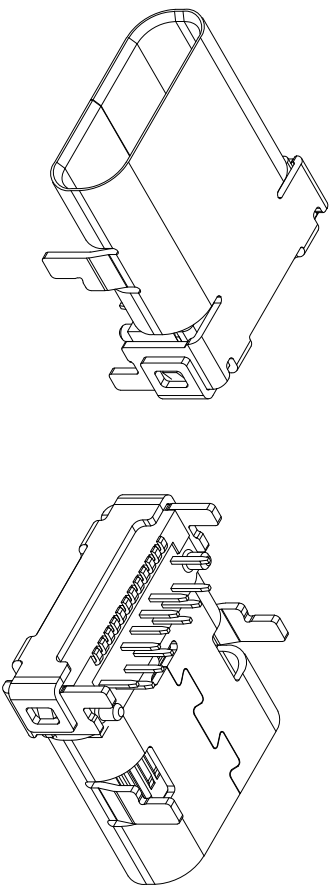
NOTES:

1. MATERIAL:
  - MOLDING: LCP UL94 V-0
  - CONTACT: COPPER ALLOY.
  - GOLD PLATED Min ON CONTACT AREA 100u"
  - Min TIN (LEAD FREE) ON SOLDER AREA,
  - SHELL: SUS304-H,T=0.30±0.03mm
  - 50u" NICKEL PLATING OVER ALL.
  - SHILD: SUS304-H,T=0.12±0.03mm
2. MECHANICAL:
  - INSERTION: 5~20N.
  - EXTRACTION: 8~20N.
  - DURABILITY: 10000 CYCLES
3. ELECTRICAL:
  - CURRENT: 5A MIN FOR VBUS;
  - 0.25A MIN FOR OTHER.
  - VOLTAGE: 20 V MAX
  - WITHSTANDING VOLTAGE: 100V AC.
  - CONTACT RESISTANCE: 40mΩ MAX.
  - INSULATION RESISTANCE: 100MΩ MIN.
4. ENVIRONMENTAL
  - TEMPERATURE RANGE -55°C ~ +85°C

X. ±0.30	X° ±5°	UNITS mm	NAME(INTENDED USE)	MINTRON CO.,LTD.
X ±0.20	X° ±2°	MATL	TITLE:	
XX ±0.10	XX° ±1°	FINISH	DWG NO.: 00501-UCAF006-X	
XXX ±0.05	XXX° ±0.5°	QTY	TYPE C CONNECTOR	
PART NO.(INTENDED USE)		APPD: SUNNY		SCALE 1/1
CHKD: USA		DR: ZOE		SHEET 1/1
DR: ZOE		2022-06-10		REV. A

MINTRON CO.,LTD.

TYPE C每極板上距離后軸DIP-SMT 2P L=10.0



RECOMMEND P.C.B LAYOUT(COMPONENT SIDE)  
 TOLERANCE FOR PCB LAYOUT IS ± 0.05  
 KEEP OUT AREA

PIN	Signal Name	Description	PIN	Signal Name	Description
A1	GND	Ground return	B12	GND	Ground return
A2	SSTXp1	Positive half of first SuperSpeed TX differential pair	B11	SSRXp1	Positive half of first SuperSpeed RX differential pair
A3	SSTXn1	Negative half of first SuperSpeed TX differential pair	B10	SSRXn1	Negative half of first SuperSpeed RX differential pair
A4	Vbus	Bus Power	B9	Vbus	Bus Power
A5	CC1	Configuration Channel	B8	SBR2	Sideband Use (SBU)
A6	Dp1	Positive half of the USB 2.0 differential pair-Position 1	B7	Dn2	Negative half of the USB 2.0 differential pair-Position 2
A7	Dn1	Negative half of the USB 2.0 differential pair-Position 1	B6	Dp2	Positive half of the USB 2.0 differential pair-Position 2
A8	SBR1	Sideband Use (SBU)	B5		Configuration Channel
A9	Vbus	Bus Power	B4	Vbus	Bus Power
A10	SSRXn2	Negative half of second SuperSpeed RX differential pair	B3	SSTXn2	Negative half of second SuperSpeed TX differential pair
A11	SSRXp2	Positive half of second SuperSpeed RX differential pair	B2	SSTXp2	Positive half of second SuperSpeed TX differential pair
A12	GND	Ground return	B1	GND	Ground return

X. ±0.30	X° ±5°	UNITS mm
X. ±0.20	X° ±2°	MATL
XX ±0.10	XX° ±1°	FINISH
.XXX ±0.05	.XXX° ±0.5°	
TYPE C CONNECTOR		QTY

NAME(INTENDED USE)	
PART NO.(INTENDED USE)	
APPD: SUNNY	
CHKD: LISA	
DR: ZOE	2022-06-10

TITLE:		MINTRON CO.,LTD.	
TYPE C母基板 上層挿后端子+SMT 2P L=10.0		DWG NO.: 00501-UCAF006-X	
SCALE	1/1	SHEET	1/1
REV.	A		

## X-ON Electronics

Largest Supplier of Electrical and Electronic Components

*Click to view similar products for [USB Connectors](#) category:*

*Click to view products by [MINTRON](#) manufacturer:*

Other Similar products are found below :

[950](#) [A-USB B-TOP-C](#) [MUSBA511N5](#) [MUSBC111M5](#) [MUSBD11135](#) [17-200721](#) [217450-1](#) [KMBVX-TH-5S-B30](#) [896-30-004-00-000000](#)  
[KUSBX-AS2N-W](#) [KUSBX-SMT2AP1S-W30](#) [935](#) [957](#) [30-498-6](#) [SK-60A-2](#) [1734082-1](#) [CIR06R-18-12S-F80-T12-26](#) [CIR08F-20](#) [30-1574](#)  
[30-470](#) [30-489](#) [30-541](#) [MAB 5 S](#) [A-USB A-2P-C](#) [MIKROE-1451](#) [USBFTV2PEM2G](#) [USBFTVC6ZN](#) [USBFTVSCCG](#) [4689-1](#) [1-1734084-2](#)  
[MUSBC11135](#) [CIR08F-20-27P-F80-VO](#) [USBF21ZNSCC](#) [USBBFTV6ZC](#) [10135326-001LF](#) [M9177/3-1](#) [USB-A-S-F-B-VT](#) [4198](#) [1310-1018-](#)  
[05](#) [690-024-633-031](#) [UB-20PMFP-LC7001](#) [UA-20BMFA-SL8001](#) [17-200011](#) [USBFTVC7ZC](#) [UB-20AFMM-LL7A01](#) [USBFTVC2MN](#)  
[CAP-WCCMLPB1](#) [CAP-WCCMLPC1](#) [1310-1031-01](#) [2041386-1](#)