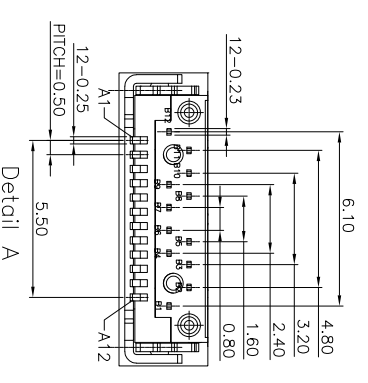
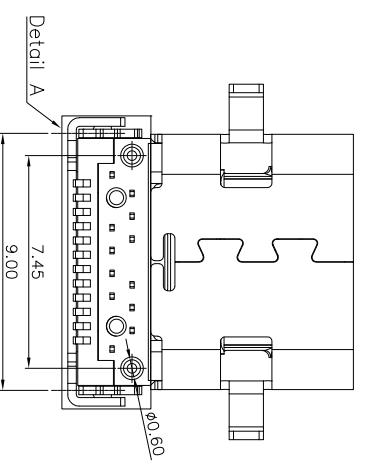
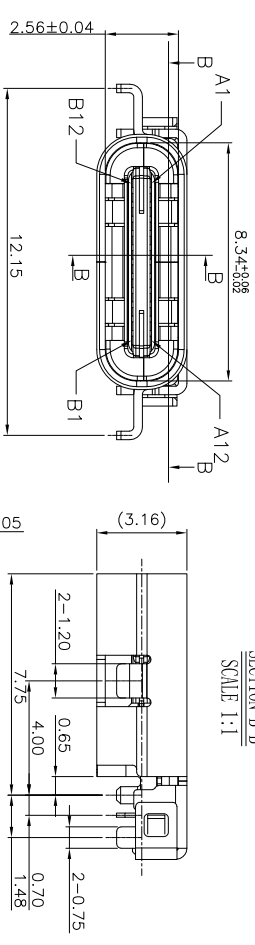
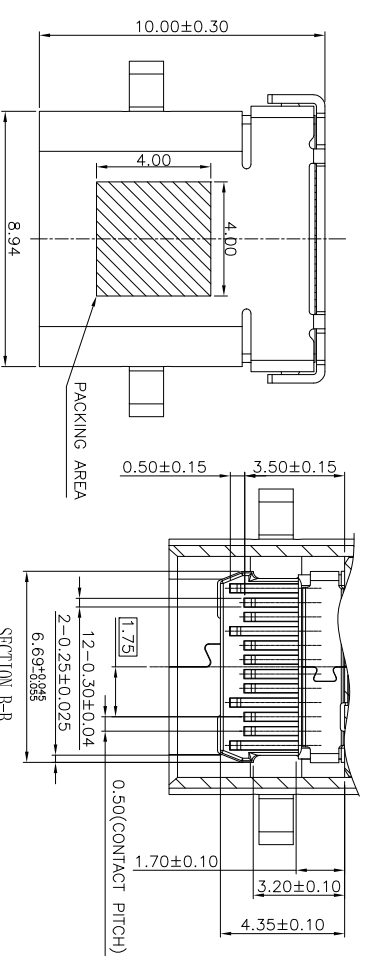


REV.	ECN NO.	APPD.
A		

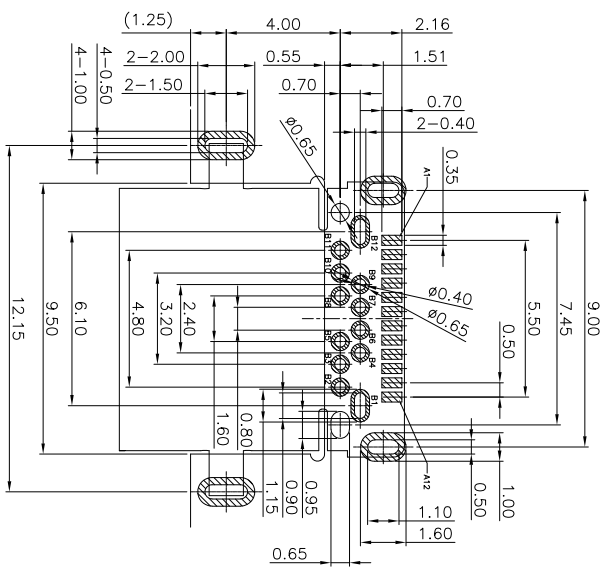
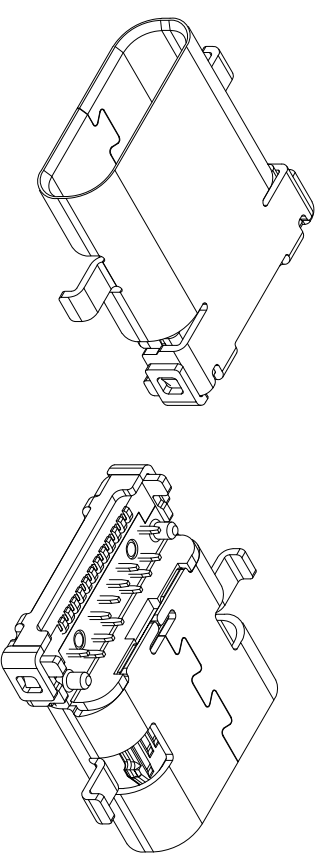
NOTES: 1.MATERIAL:

- MOLDING: LCP UL94 V-0
 - CONTACT: COPPER ALLOY.
 - GOLD PLATED Min ON CONTACT AREA, 100u”
 - Min TIN (LEAD FREE) ON SOLDER AREA,
 - SHELL: SUS304-H,T=0.30±0.03mm
 - 50u” NICKEL PLATING OVER ALL.
 - SHILD: SUS304-H,T=0.12±0.03mm
- 2.MECHANICAL:
- INSERTION: 5~20N.
 - EXTRACTION: 8~20N.
 - DURABILITY: 10000 CYCLES
- 3.ELECTRICAL:
- CURRENT: 5A MIN FOR VBUS;
 - 0.25A MIN FOR OTHER.
 - VOLTAGE: 20 V MAX
 - WITHSTANDING VOLTAGE: 100V AC.
 - CONTACT RESISTANCE: 40mΩ MAX.
 - INSULATION RESISTANCE: 100MΩ MIN.
- 4.ENVIRONMENTAL
- TEMPERATURE RANGE -55°C ~ +85°C



X	±0.30	X°	±5°	UNITS	mm	NAME (INTENDED USE)	TITLE: MINTRON CO., LTD.
X	±0.20	X°	±2°	MATL			
XX	±0.10	XX°	±1°				
.XXX	±0.05	.XXX°	±0.5°	FINISH			
TYPE C CONNECTOR				QTY			
PART NO. (INTENDED USE)		APPD: SUNNY		DWG NO.: 00501-UCAT008-X		TITLE: TYPE C母座沉板前部后部加P-SMT 24P L=10.0	
CHKD: LISA		DR: ZOE		SCALE 1/1		SHEET 1/1	
2022-06-10				REV. A			

USB TYPE-C FULL-FEATURED RECEPTACLE INTERFACE PIN ASSIGNMENTS



RECOMMEND P.C.B LAYOUT(COMPONENT SIDE)
TOLERANCE FOR PCB LAYOUT IS ± 0.05
KEEP OUT ARE

PIN	Signal Name	Description	PIN	Signal Name	Description
A1	GND	Ground return	B12	GND	Ground return
A2	SSTXp1	Positive half of first SuperSpeed TX differential pair	B11	SSRXp1	Positive half of first SuperSpeed RX differential pair
A3	SSTXn1	Negative half of first SuperSpeed TX differential pair	B10	SSRXn1	Negative half of first SuperSpeed RX differential pair
A4	Vbus	Bus Power	B9	Vbus	Bus Power
A5	CCI	Configuration Channel	B8	SBU2	Sideband Use (SBU) Channel
A6	Dp1	Positive half of the USB 2.0 differential pair-Position 1	B7	Dn2	Negative half of the USB 2.0 differential pair-Position 2
A7	Dn1	Negative half of the USB 2.0 differential pair-Position 1	B6	Dp2	Positive half of the USB 2.0 differential pair-Position 2
A8	SBU1	Sideband Use (SBU)	B5	CC2	Configuration Channel
A9	Vbus	Bus Power	B4	Vbus	Bus Power
A10	SSRXn2	Negative half of second SuperSpeed RX differential pair	B3	SSTXn2	Negative half of second SuperSpeed TX differential pair
A11	SSRXp2	Positive half of second SuperSpeed RX differential pair	B2	SSTXp2	Positive half of second SuperSpeed TX differential pair
A12	GND	Ground return	B1	GND	Ground return

X	±0.30	X°	±5°	UNITS	mm	NAME(INTENDED USE)	MINTRON CO.,LTD.
X	±0.20	X°	±2°	MATL			
XX	±0.10	XX°	±1°	FINISH			
XXX	±0.05	XXX°	±0.5°	QTY			
TYPE C CONNECTOR				PART NO.(INTENDED USE)		TITLE:	
				APPD:	SUNNY	TYPE C母座沉孔板插后能扣P+SMT 24P L=10.0	
				CHKD:	USA	DWG NO.: 00501-UCAP008-X	
				DR:	ZOE	2022-06-10	
				SCALE		SHEET	
				1/1		1/1	
						REV.	
						A	

X-ON Electronics

Largest Supplier of Electrical and Electronic Components

Click to view similar products for [USB Connectors](#) category:

Click to view products by [MINTRON](#) manufacturer:

Other Similar products are found below :

[950](#) [A-USB A-LP-SMT-C](#) [A-USB B-TOP-C](#) [MUSBD11135](#) [17-200721](#) [217450-1](#) [KMBVX-TH-5S-B30](#) [KUSBX-AS2N-W](#) [KUSBX-SMT2AP1S-W30](#) [935](#) [957](#) [30-498-6](#) [SK-60A-2](#) [1734082-1](#) [30-470](#) [30-489](#) [30-541](#) [MAB 5 S](#) [A-USB A-2P-C](#) [MIKROE-1451](#)
[USBFTVSCCG](#) [1-1734084-2](#) [MUSBA81130](#) [NK-27-32SL](#) [NK-L8-22C-5/8](#) [10135326-001LF](#) [4198](#) [690-024-633-031](#) [UB-20PMFP-LC7001](#)
[17-200011](#) [UB-20AFMM-LL7A01](#) [CAP-WCCMLPB1](#) [CAP-WCCMLPC1](#) [2274475-3](#) [914-614A2025S10200](#) [USB3FTV7SAGF059](#)
[USB3FTV2SAZNF459](#) [USB3FTV7SAZNF459](#) [HYCW153-USBD05-500B](#) [HYCW219-USBD05-075B](#) [HYCW148-USBD05-117B](#)
[HYCW149-USBD05-740B](#) [HYCW204-USBD05-108B](#) [HYCW214-USBA04-113B](#) [HYCW213-USBA04-113B](#) [KMMX-BSMT35S-1-B30TR](#)
[2345986-1](#) [10082141-N340LF](#) [10117836-011LF](#) [GSB3C3133DSYHR](#)