

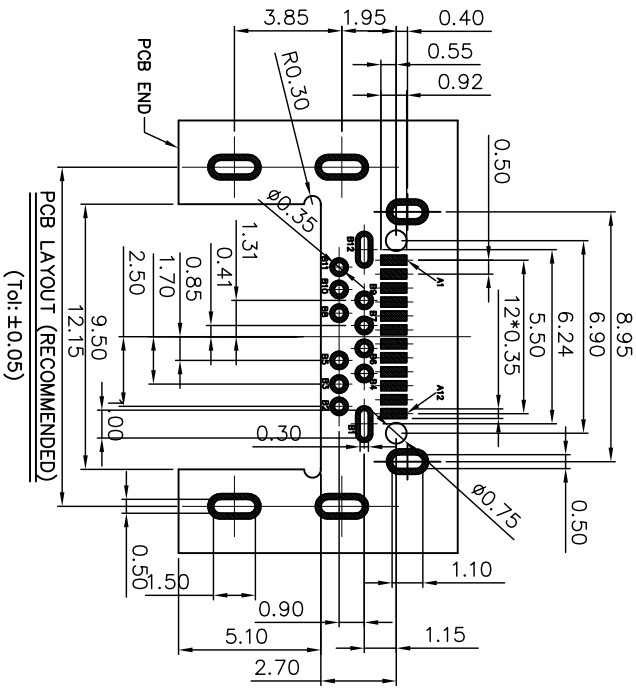
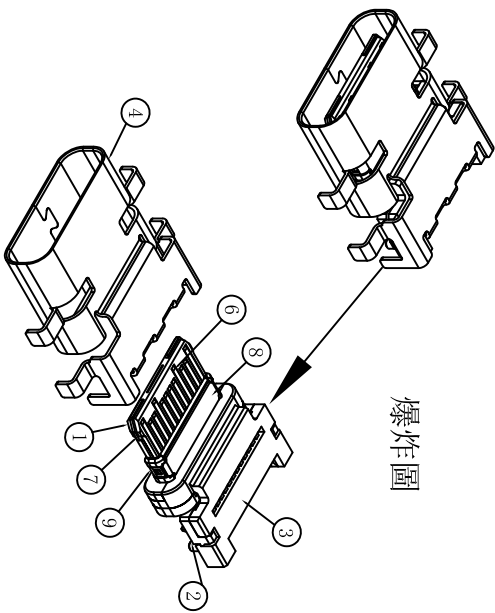
Signal Name	Signal Name
A1 GND	B12 GND
A2 SSTXp1	B11 SSRXp1
A3 SSTXn1	B10 SSRXn1
A4 VBUS	B9 VBUS
A5 CC1	B8 SBUS2
A6 Dp1	B7 Dn2
A7 Dn1	B6 Dp2
A8 SBUS1	B5 CC2
A9 VBUS	B4 VBUS
A10 SSRXn2	B3 SSTXn2
A11 SSRXp2	B2 SSTXp2
A12 GND	B1 GND

ITEM 項目	PARTS NAME 零件名稱	QTY 數量	MATERIAL 材質	FINISH/REMARK 處理/備註
1	Insertmold housing	1	SYNTHETIC RESIN	Black
2	12pin Insertmold-(1)	1	SYNTHETIC RESIN	Black
3	12pin Insertmold-(2)	1	SYNTHETIC RESIN	Black
4	SHELL	1	STAINLESS	Ni:50μ" Min
5	12pin Contact-(DIP)	12	COPPER ALLOY	Gold finish on contact area 100μ" Tin on solder tabs, base Nickel:50μ
6	12pin Contact-(SMT)	12	COPPER ALLOY	Gold finish on contact area 100μ" Tin on solder tabs, base Nickel:50μ
7	Shield SHELL	1	STAINLESS	base Nickel:50μ Min Ni:50μ" Min
8	Shield SHELL	1	STAINLESS	base Nickel:50μ Min Ni:50μ" Min
9	Ground plate-bottom	1	STAINLESS	Ni:50μ" Min

X. ±0.30	X.° ±5°	UNITS mm
X ±0.20	X° ±2°	MATL
.XX ±0.10	.XX° ±1°	FINISH
.XXX ±0.05	.XXX° ±0.5°	

TYPE C CONNECTOR	QTY	NAME(INTENDED USE)
		PART NO.(INTENDED USE)
		APPD: SUNNY
		CHKD: LISA
		DR: ZOE

MINTRON CO.,LTD.	
TITLE: USB 3.1 C TYPE 沉板前DIP /后SMT 四脚插板	DWG NO: 00704-UCAR001-X
SCALE 1/1	SHEET 1/1
REV. A	



SPECIFICATION
MATERIAL
 See drawing
STANDARD DATA
 Rating current:1.5A
ELECTRICAL
 Insulator resistance: 100M ohms Min
 Withstanding voltage: 100 VAC / minute
 Contact resistance: 40 m ohms Max
MECHANICAL
 Mating force: 5~20N.
 Umating force: 8~20N.
 Durability: 10000 cycles Min.
PART NO.

REV.	ECN. NO.	APPD.
A		

X.	± 0.30	X.°	± 5°	UNITS	mm	NAME(INTENDED USE)	MINTRON CO.,LTD.
X.	± 0.20	X.°	± 2°	MATL			
.XX	± 0.10	.XX°	± 1°			PART NO.(INTENDED USE)	
.XXX	± 0.05	.XXX°	± 0.5°	FINISH		TITLE: USB 3.1 C TYPE 流線型DIP / 高SMT 四脚插版	
TYPE C CONNECTOR				QTY		APPD: SUNNY	DWG NO.: 00704-UCAP001-X
						CHKD: LISA	
						DR: ZOE	2022-06-10

SCALE	SHEET	REV.
1/1	1/1	A

X-ON Electronics

Largest Supplier of Electrical and Electronic Components

Click to view similar products for [USB Connectors](#) category:

Click to view products by [MINTRON](#) manufacturer:

Other Similar products are found below :

[950](#) [A-USB B-TOP-C](#) [MUSBA511N5](#) [MUSBC111M5](#) [MUSBD11135](#) [17-200721](#) [217450-1](#) [KMBVX-TH-5S-B30](#) [896-30-004-00-000000](#)
[KUSBX-AS2N-W](#) [KUSBX-SMT2AP1S-W30](#) [935](#) [957](#) [30-498-6](#) [SK-60A-2](#) [1734082-1](#) [30-1574](#) [30-470](#) [30-489](#) [30-541](#) [A-USB A-2P-C](#)
[MIKROE-1451](#) [USBFTV2PEM2G](#) [USBFTVSCCG](#) [4689-1](#) [1-1734084-2](#) [MUSBC11135](#) [USBF21ZNSCC](#) [USBBFTV6ZC](#) [MUSBB151341](#)
[10135326-001LF](#) [M9177/3-1](#) [TJ-105](#) [USB-A-S-F-B-VT](#) [4198](#) [690-024-633-031](#) [UB-20PMFP-LC7001](#) [USBFTVC6MRG](#) [UA-20BMFA-](#)
[SL8001](#) [17-200011](#) [USBFTVC7ZC](#) [UB-20AFMM-LL7A01](#) [USBFTVC2MN](#) [CAP-WCCMLPB1](#) [1310-1031-01](#) [2041386-1](#) [2274475-3](#) [UB-](#)
[20BMFA-SL8001](#) [UB-20PMFP-SC8003](#) [914-614A2025S10200](#)