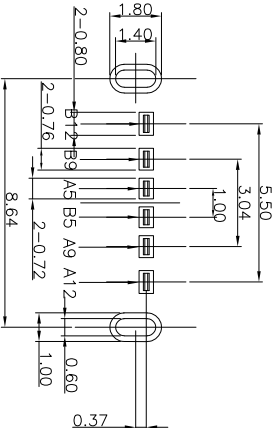
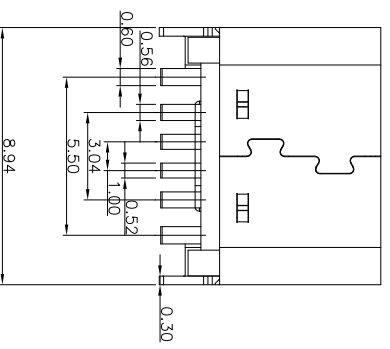
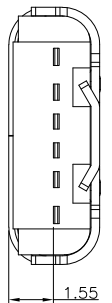
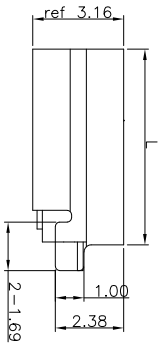
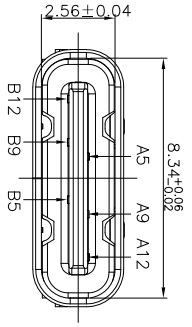
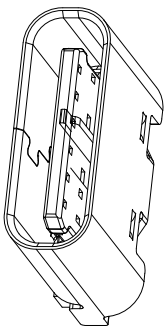
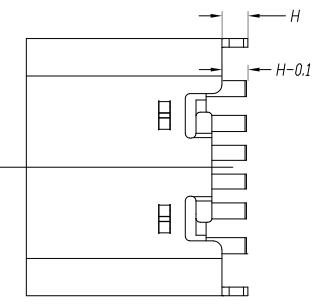


REV.	ECN. NO.	APPD.
A		



RECOMMENDED P.C.B. LAYOUT  
TOLERANCE UNSPECIFIED ±0.05mm

NOTE:

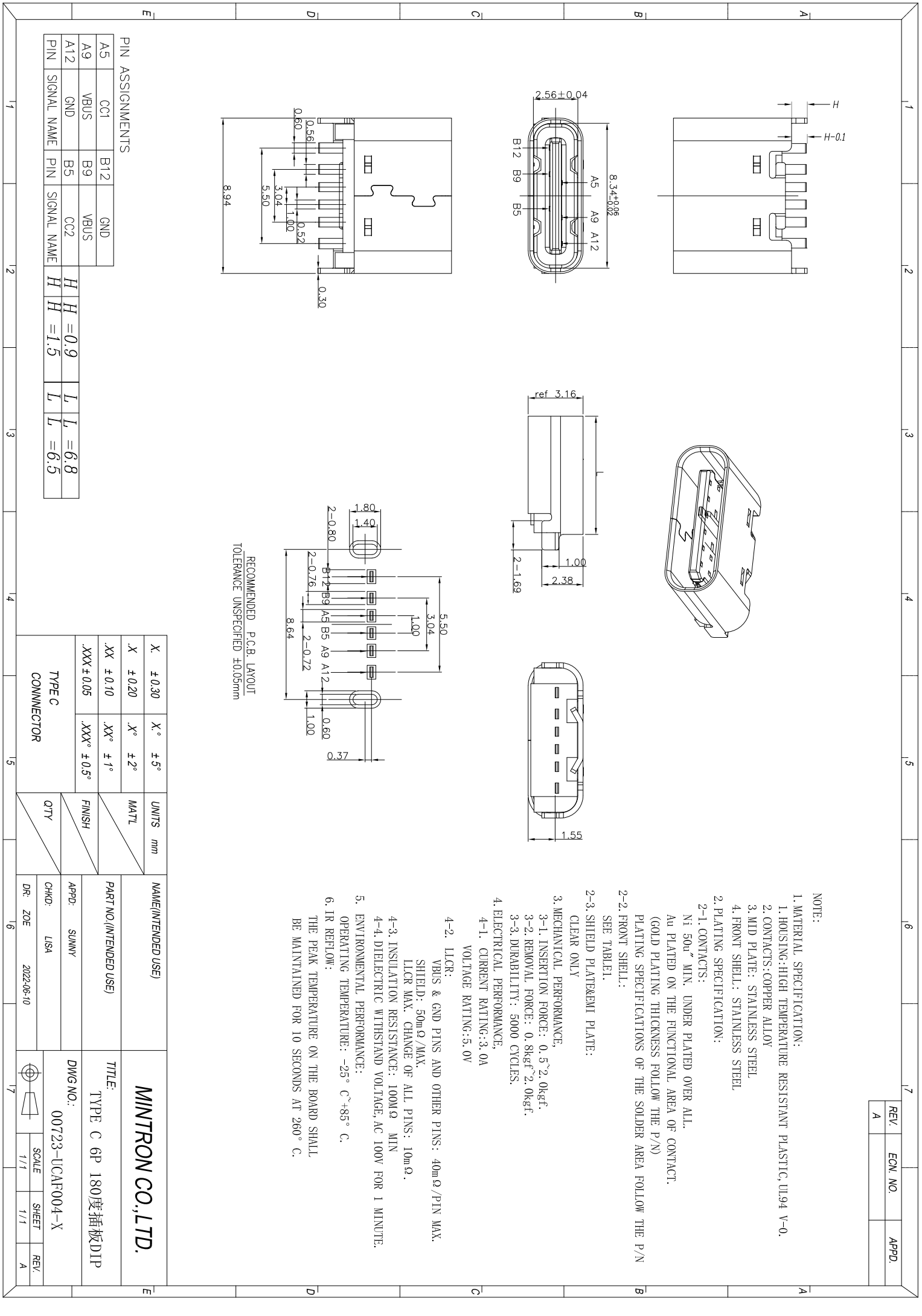
- MATERIAL SPECIFICATION:
  - HOUSING: HIGH TEMPERATURE RESISTANT PLASTIC, UL94 V-0.
  - CONTACTS: COPPER ALLOY
  - MID PLATE: STAINLESS STEEL
  - FRONT SHELL: STAINLESS STEEL
- PLATING SPECIFICATION:
  - CONTACTS: Ni 50μ MIN. UNDER PLATED OVER ALL. Au PLATED ON THE FUNCTIONAL AREA OF CONTACT. (GOLD PLATING THICKNESS FOLLOW THE P/N)
  - FRONT SHELL: PLATING SPECIFICATIONS OF THE SOLDER AREA FOLLOW THE P/N SEE TABLE.
  - SHIELD PLATE/RENT PLATE: CLEAR ONLY
- MECHANICAL PERFORMANCE,
  - INSERTION FORCE: 0.5<sup>~</sup>2.0kgf.
  - REMOVAL FORCE: 0.8kgf<sup>~</sup>2.0kgf.
  - DURABILITY: 5000 CYCLES.
- ELECTRICAL PERFORMANCE,
  - CURRENT RATING: 3.0A VOLTAGE RATING: 5.0V
  - LCR: VBUS & GND PINS AND OTHER PINS: 40mΩ/PIN MAX. SHIELD: 50mΩ/MAX. LCR MAX. CHANGE OF ALL PINS: 10mΩ.
  - INSULATION RESISTANCE: 100MΩ MIN
  - DIELECTRIC WITHSTAND VOLTAGE AC 100V FOR 1 MINUTE.
- ENVIRONMENTAL PERFORMANCE:
  - OPERATING TEMPERATURE: -25° C<sup>~</sup>+85° C.
  - IR REFLOW: THE PEAK TEMPERATURE ON THE BOARD SHALL BE MAINTAINED FOR 10 SECONDS AT 260° C.

PIN ASSIGNMENTS

A5	CCI	B12	GND
A9	VBUS	B9	VBUS
A12	GND	B5	CC2
PIN	SIGNAL NAME	PIN	SIGNAL NAME

X.	± 0.30	X°	± 5°	UNITS	mm
.X	± 0.20	.X°	± 2°	MATL	
.XX	± 0.10	.XX°	± 1°	FINISH	
.XXX	± 0.05	.XXX°	± 0.5°	QTY	

NAME (INTENDED USE)		TITLE	MINTRON CO., LTD.		
PART NO. (INTENDED USE)		DWG NO.:	00723-UCAF004-X		
APPD.:	SUNNY	SCALE	1/1	SHEET	1/1
CHKD.:	USA	REV.	A		
DR.:	ZOE	DATE	2022-06-10		



## X-ON Electronics

Largest Supplier of Electrical and Electronic Components

*Click to view similar products for [USB Connectors](#) category:*

*Click to view products by [MINTRON](#) manufacturer:*

Other Similar products are found below :

[950](#) [A-USB B-TOP-C](#) [MUSBA511N5](#) [MUSBC111M5](#) [MUSBD11135](#) [17-200721](#) [217450-1](#) [KMBVX-TH-5S-B30](#) [896-30-004-00-000000](#)  
[KUSBX-AS2N-W](#) [KUSBX-SMT2AP1S-W30](#) [935](#) [957](#) [30-498-6](#) [SK-60A-2](#) [1734082-1](#) [30-1574](#) [30-470](#) [30-489](#) [30-541](#) [A-USB A-2P-C](#)  
[MIKROE-1451](#) [USBFTV2PEM2G](#) [USBFTVSCCG](#) [4689-1](#) [1-1734084-2](#) [MUSBC11135](#) [USBF21ZNSCC](#) [USBBFTV6ZC](#) [MUSBB151341](#)  
[10135326-001LF](#) [M9177/3-1](#) [TJ-105](#) [USB-A-S-F-B-VT](#) [4198](#) [690-024-633-031](#) [UB-20PMFP-LC7001](#) [USBFTVC6MRG](#) [UA-20BMFA-](#)  
[SL8001](#) [17-200011](#) [USBFTVC7ZC](#) [UB-20AFMM-LL7A01](#) [USBFTVC2MN](#) [CAP-WCCMLPB1](#) [1310-1031-01](#) [2041386-1](#) [2274475-3](#) [UB-](#)  
[20BMFA-SL8001](#) [UB-20PMFP-SC8003](#) [914-614A2025S10200](#)