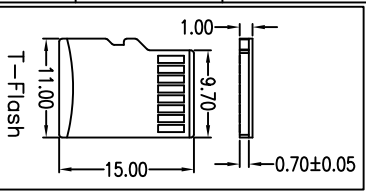
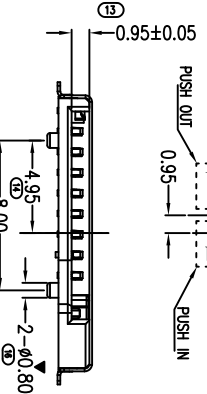
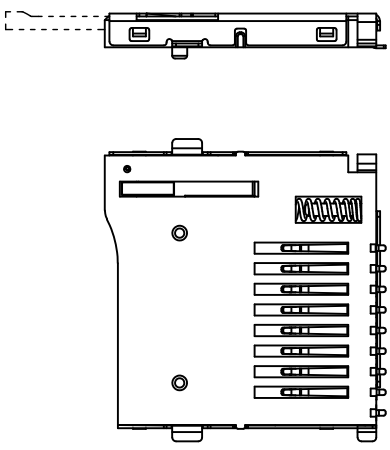
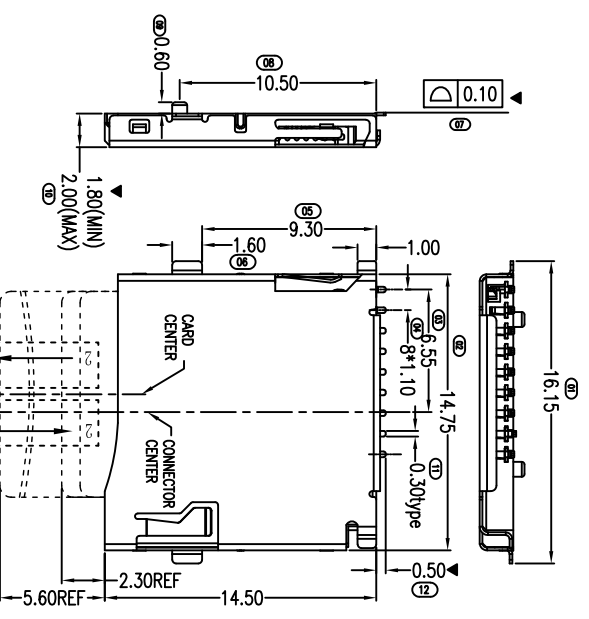
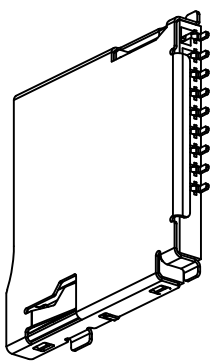
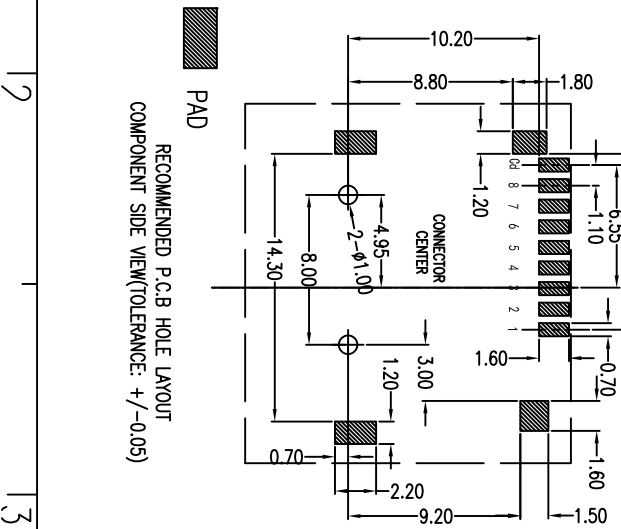


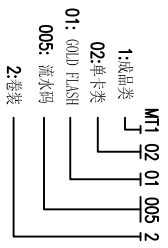
REV.	EC#	DESCRIPTION	DATE	DRAWING	CHECKED	APPROVED
A		NEW RELEASE	06/16/13	HANYONG		HANYONG



PIN NO.	NAME	TYPE	DESCRIPTION
1	DATE2	I/O/PP	DATE LINE(BIT2)
2	CD/DATE3	I/O/PP	CARD DETECT DATE LINE(BIT3)
3	CMD	PP	COMMAND RESPONSE
4	VDD	S	SUPPLY VOLTAGE
5	CLK	I	CLOCK
6	VSS	S	SUPPLY VOLTAGE GROUND
7	DATE0	I/O/PP	DATE LINE(BIT0)
8	DATE1	I/O/PP	DATE LINE(BIT1)



NOTES:  
 ELECTRICAL CHARACTERISTICS  
 CONTACT CURRENT RATING:0.5A  
 DIELECTRIC WITHSTANDING VOLTAGE:AC 500V  
 INSULATION RESISTANCE:500MΩ MIN  
 CONTACT RESISTANCE:100mΩ MAX  
 ENVIRONMENTAL  
 TEMPERATURE RANGE: -25°C TO +85°C  
 MECHANICAL CHARACTERISTICS  
 MATING CYCLES:5000 INSERTIONS  
 INSERTION/OUT FORCE:0.1-4.0KGF  
 MATERIAL  
 INSULATOR: HIGH TEMPERATURE PLASTIC UL94V-0  
 COLOR:BLACK  
 CONTACT: COPPER ALLOY  
 SHELL: STAINLESS  
 SPRING:SWP  
 PLATING:  
 CONTACT  
 UNDERPLATE: NICKEL 40U"  
 CONTACT AREA: GOLD FLASH OVER NICKEL 40U"  
 SOLDER AREA: TIN 80U" MIN OVER NICKEL 40U"  
 SHELL:PLATE 30U" NICKEL MIN OVER ALL



T-+外壳	1PC
T-+线架	1PC
T-+弹架	1PC
T-F 0P1V端子	1SET
T-F滑块	1PC
T-F主体胶芯	1PC
规格	数量

MINTRON TECHNOLOGY CO.,LTD.

PART NUMBER: MT102010052  
 TITLE: T-FLASH 外焊卡座(卷装)

APPD: HoYong  
 CHKD: ---  
 DR: YZZ  
 DWG NO: C-102010052-00

SCALE	1:1
SHEET	1/2
REV.	A1

## X-ON Electronics

Largest Supplier of Electrical and Electronic Components

*Click to view similar products for [Memory Card Connectors](#) category:*

*Click to view products by [MINTRON](#) manufacturer:*

Other Similar products are found below :

[6407-249V-25273P](#) [6407-249V-25343P](#) [6426-201-21343](#) [69.920.0553.0](#) [MCR60A-98D-2.54DSA\(70\)](#) [809180410000000](#) [DM3AT-SF-PEJM5\(41\)](#) [IC11S-BUR-PNEJL\(71\)](#) [C70210M0083692](#) [2041353-2](#) [308-DS1P0811-192](#) [HM2P09PDR360N9LF](#) [10014744-011TLF](#) [11327-001](#) [11327-002](#) [NX1-32T-KT3K\(05\)](#) [95622-003LF](#) [84648-056HLF](#) [CCM03-3109 B LFT](#) [MS3116J10-6PW](#) [2309923-1](#) [61126-050CAHLF](#) [GTFP08432B1HR](#) [G85D1160022HHR](#) [SCE2MSDZN76A121SN](#) [10014744-011ALF](#) [10014744-011LF](#) [10057542-1211FLF](#) [10067972-000LF](#) [10067972-050LF](#) [10122302-20110LF](#) [G85D1162022HHR](#) [TF-05A](#) [M6014-12](#) [XKNANO-1412](#) [SMN-304-ARP6](#) [MIS11-S1F1-2000-A](#) [SMN-308-ARSP7](#) [MCS-302S-KT1B](#) [SMN-308-ACSP7](#) [K-DYX-008](#) [K-DYX-004](#) [HYCW126-TF18-150B](#) [C7024-03](#) [SMO-1030](#) [MCS-110-KT](#) [SIM-217](#) [SNO-1355-KT](#) [SMO-1025-P10](#) [SIM-211S-P6](#)