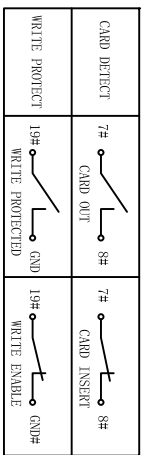
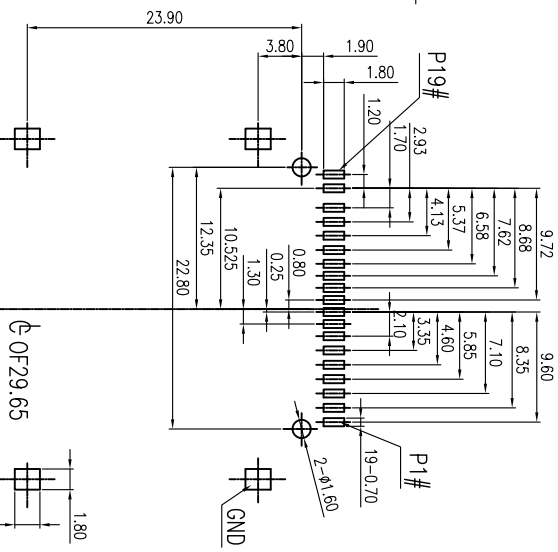
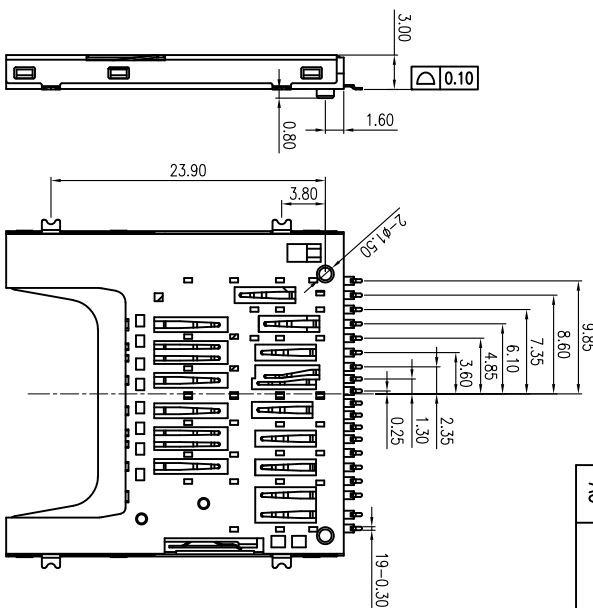
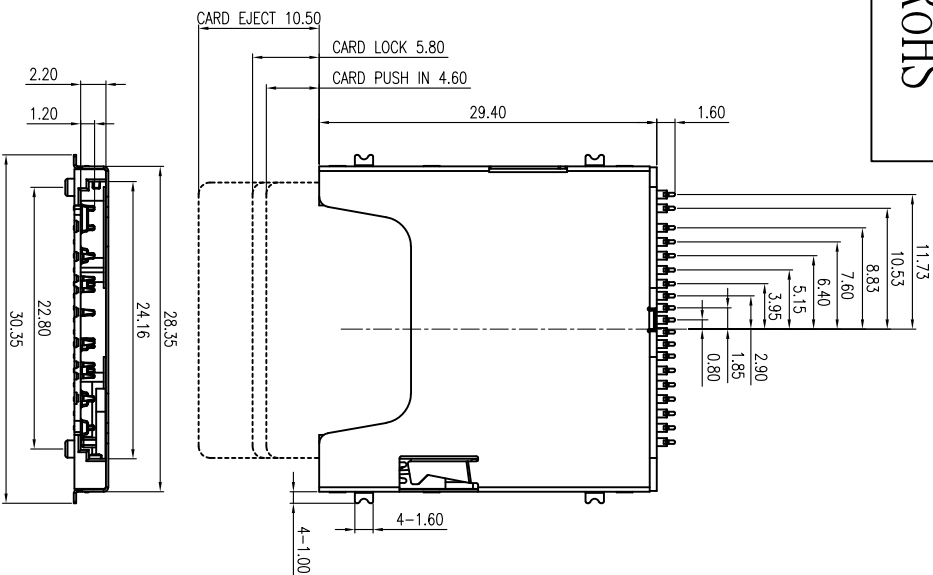


ROHS



RECOMMENDER PCB LAYOUT
TOLERANCE UNLESS OTHERWISE IS ±0.05

PIN DEFINE:

PIN#	NAME	DESCRIPTION	PIN#	NAME	DESCRIPTION
1	VSS3	GROUND	11	VDD1	SUPPLY VOLTAGE
2	DATA2	DATA LINE BIT2	12	DI-	DIFFERENTIAL DATE 1-
3	DO+	DIFFERENTIAL DATE 0+	13	CLK	CLOCK
4	CD/DATA3	CARD DETECT/DATA LINE BIT3	14	DI+	DIFFERENTIAL DATE 1+
5	DO-	DIFFERENTIAL DATE 0-	15	VSS2	SUPPLY VOLTAGE GROUND
6	CMD	COMMAND/RESPONSE	16	VSS5	GROUND
7	CD	CARD DETECT	17	DATA0	DATA LINE BIT0
8	VSS1	SUPPLY VOLTAGE GROUND	18	DATA1	DATA LINE BIT1
9	VSS4	GROUND	19	WP	WRITE PROTECT
10	VDD2	SUPPLY VOLTAGE (1.8V)			

SPECIFICATION
1. Material:
 Insulator: LCP, rated UL94V-0,color:black.
 Contacts: Phosphor Bronze,
 Tin 80u"MIN at Solder Tail,
 Selective Gold on Contact Area Plating.
 Shell: Stainless Tail,
 Gold at Solder Tail,
 Over Nickel Plating.
2. Electrical Characteristics:
 Operating voltage : 500V(AC/DC).
 Current rating : 1.0 A.
 Operating Temperature: -25°C~+85°C.
 Insulation resistance: 1000M ohms min. at 250VDC
 Dielectric withstanding voltage:500 VAC/1minute.
 Contact resistance: 100m ohms max.
 Mating cycle: 5000 cycles, spring is not breaking.

MILLIMETERS	INCH	UNITS	MM	TITLE:
X° ± X'	X° ± X'	MATL		MINTRON TECHNOLOGY CO.,LTD.
X ± X	XX ± XX	SEE NOTES		PART NUMBER: MT102012552
XX ± XX	XXX ± XXX	FINISH		SD 4.0 CARD PUSHH CONN. (板上)
XXX ± XXX	XXXX ± XXXX	SEE NOTES		APPD: DWG NO: C-102012552-00
		QTY	SEE NOTES	CHKD: DR: SCALE 1:1
		SEE NOTES		SHEET 1/2
				REV. A0

REV.	EC#	DESCRIPTION	DATE	DRAWING	CHECKED	APPROVED
A0		NEW RELEASE	09/14'18	SKY	WZX	HAYONG

X-ON Electronics

Largest Supplier of Electrical and Electronic Components

Click to view similar products for [Memory Card Connectors](#) category:

Click to view products by [MINTRON](#) manufacturer:

Other Similar products are found below :

[6407-249V-25273P](#) [6407-249V-25343P](#) [6426-201-21343](#) [69.920.0553.0](#) [MCR60A-98D-2.54DSA\(70\)](#) [809180410000000](#) [DM3AT-SF-PEJM5\(41\)](#) [IC11S-BUR-PNEJL\(71\)](#) [C70210M0083692](#) [2041353-2](#) [308-DS1P0811-192](#) [HM2P09PDR360N9LF](#) [10014744-011TLF](#) [11327-001](#) [11327-002](#) [NX1-32T-KT3K\(05\)](#) [95622-003LF](#) [84648-056HLF](#) [CCM03-3109 B LFT](#) [MS3116J10-6PW](#) [2309923-1](#) [61126-050CAHLF](#) [GTFP08432B1HR](#) [G85D1160022HHR](#) [SCE2MSDZN76A121SN](#) [10014744-011ALF](#) [10014744-011LF](#) [10057542-1211FLF](#) [10067972-000LF](#) [10067972-050LF](#) [10122302-20110LF](#) [G85D1162022HHR](#) [TF-05A](#) [M6014-12](#) [XKNANO-1412](#) [SMN-304-ARP6](#) [MIS11-S1F1-2000-A](#) [SMN-308-ARSP7](#) [MCS-302S-KT1B](#) [SMN-308-ACSP7](#) [K-DYX-008](#) [K-DYX-004](#) [HYCW126-TF18-150B](#) [C7024-03](#) [SMO-1030](#) [MCS-110-KT](#) [SIM-217](#) [SNO-1355-KT](#) [SMO-1025-P10](#) [SIM-211S-P6](#)