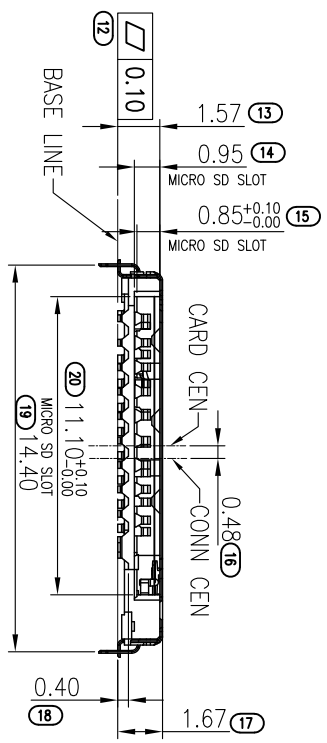
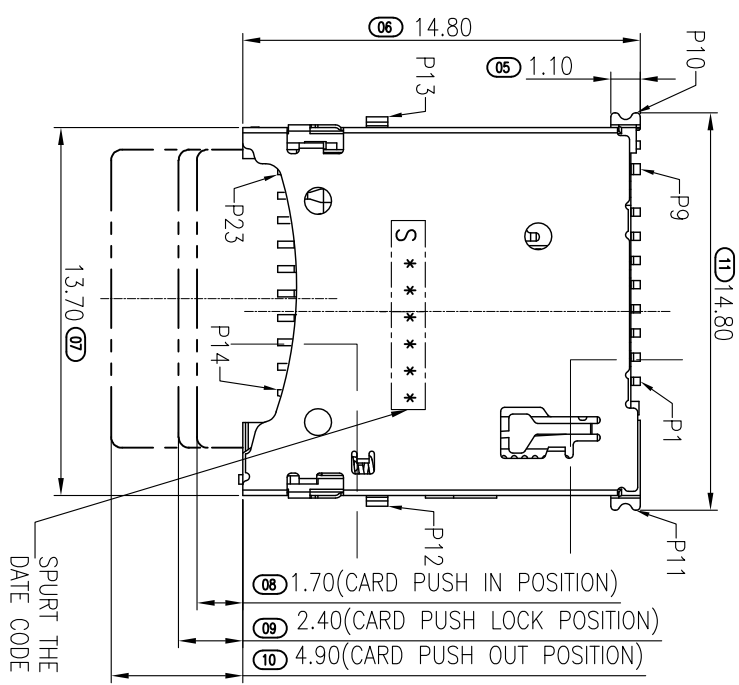
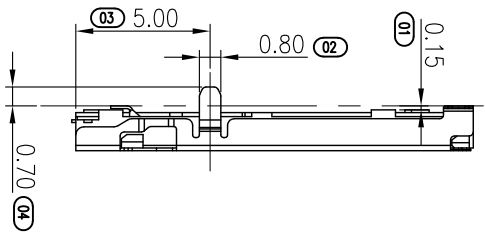
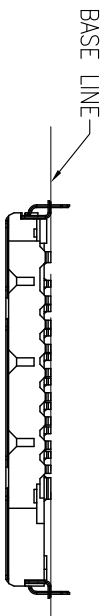
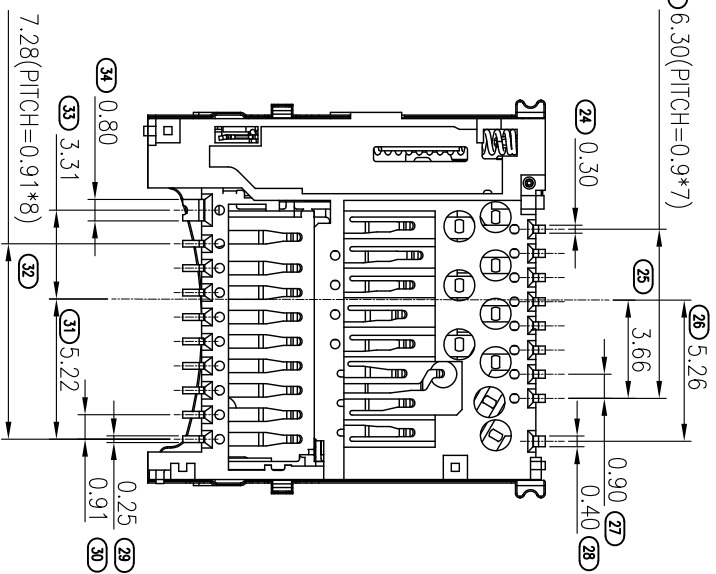
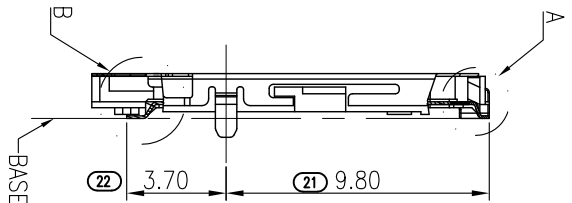


ROHS

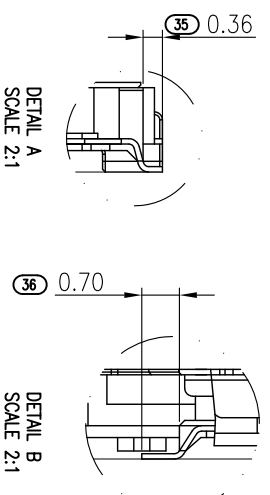


SPURT THE DATE CODE

REV.	EC#	DESCRIPTION	DATE	DRAWING	CHECKED	APPROVED
X0		NEW RELEASE	10/23'18	WZX		LHY
X1	ECN1906007	△ PITCH由20变更为24	06/14'19	ZHOU		LHY

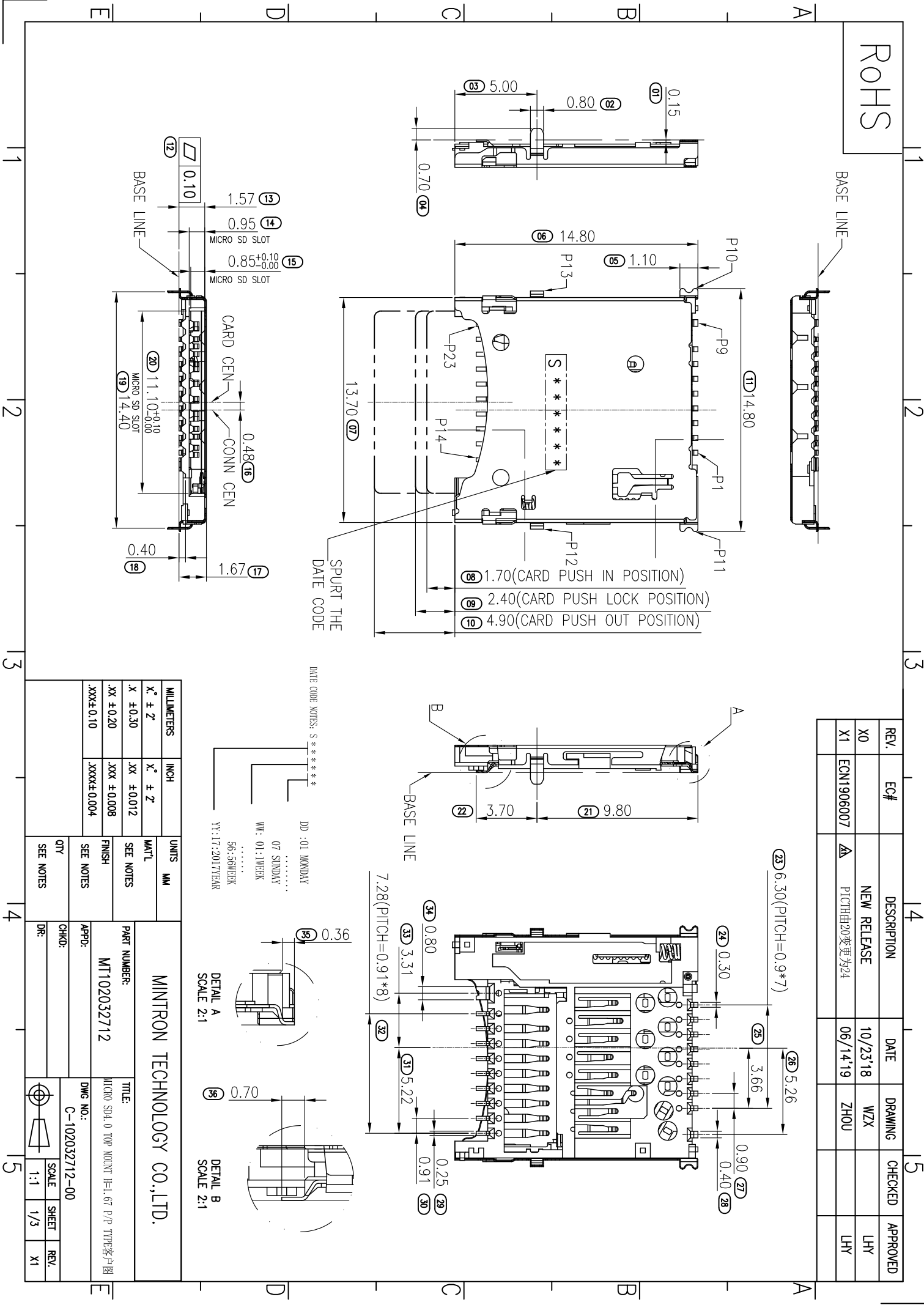


DATE CODE NOTES: S*****
 DD : 01 MONDAY
 07 SUNDAY
 WW : 01 : WEEK
 56 : 56WEEK
 YY : 17 : 2017YEAR

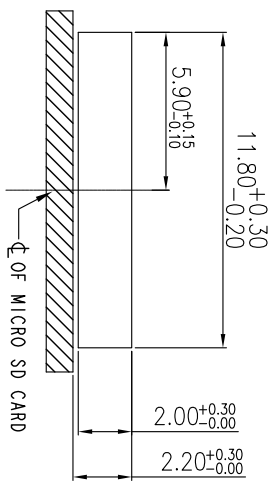
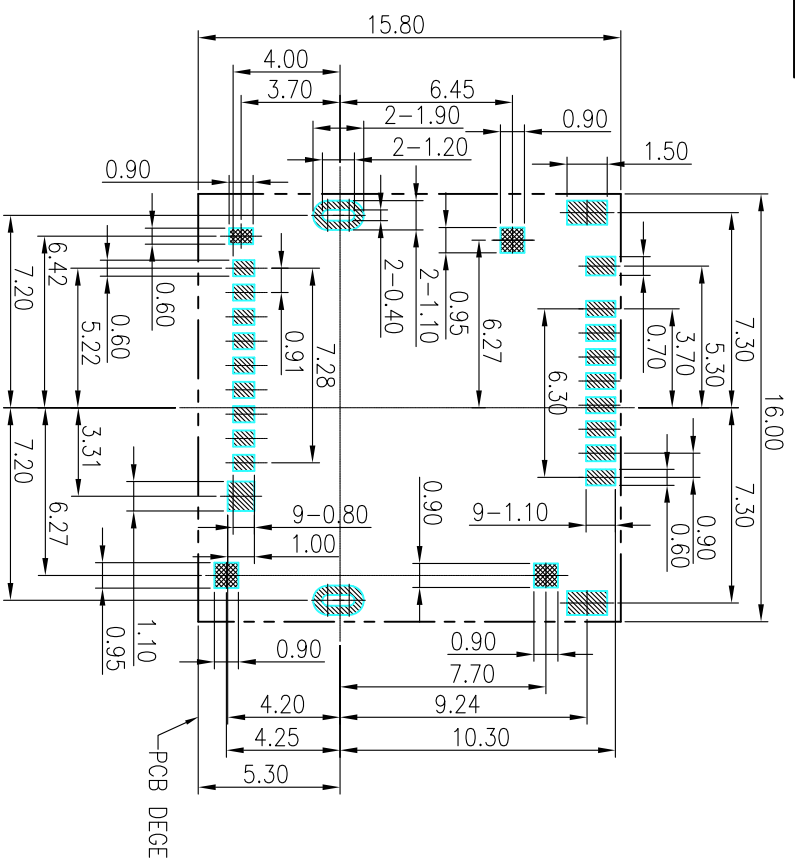


MILLIMETERS	INCH	UNITS	MM
X ^o ± Z	X ^o ± Z	MAT'L	
.X ± 0.30	.XX ± 0.012	SEE NOTES	
.XX ± 0.20	.XXX ± 0.008	FINISH	
.XXX ± 0.10	.XXXX ± 0.004	SEE NOTES	
		QTY	
		SEE NOTES	

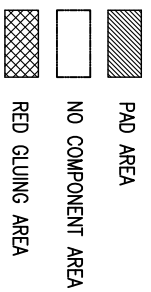
MINTRON TECHNOLOGY CO., LTD.		TITLE:	
PART NUMBER:	MT102032712	MICRO SD4.0 TOP MOUNT H=1.67 P/P TYPE客户图	
APPR:		DWG NO.:	C-102032712-00
CHKD:		SCALE SHEET REV.	
DR:		1:1	1/3



ROHS



RECOMMENDED P.C.B LAYOUT
TOP VIEW (TOLERANCE +/- 0.05)



- NOTES:
- (1) MATERIAL:
 - 1-1.PLASTIC: LCP THERMOPLASTIC UL 94V-0 COLOR: BLACK
 - 1-2.CONTACT: COPPER ALLOY.
 - 1-3.SELL: STAINLESS STEEL.
 - (2) PLATING:
 - 2-1.CONTACT:CONTACT AREA AU 3U" OVER NI 50U" SOLDER TAIL AREA: MATTED TIN 80U"MIN OVER NI 50".
 - 2-2.SHELL: SOLDERABILITY OVER PLATING NI 50U" OVER ALL.
 - (3) CONTACT AND TAIL COPLANARITY TO BE 0.10MM MAX.

OPENING/CLOSE OF SWITCH		CARD DETECT SWITCH		MILLIMETERS	INCH	UNITS	MM	MINTRON TECHNOLOGY CO.,LTD.	
CARD UNINSERTION		OPEN		X [°] ± Z'	X [°] ± Z'	MAT'L	SEE NOTES	PART NUMBER:	TITLE:
CARD HALF INSERTION		OPEN		.XX ± 0.20	.XX ± 0.012	FINISH	SEE NOTES	MT102032712	MICRO SD4, 0.100" MOUNT H=1.67 P/P TYPE客户图
CARD INSERTION		CLOSE		.XXX±0.10	.XXX±0.004	SEE NOTES	SEE NOTES	APPR:	DWG NO: C-102032712-00
N/O		OPEN				QTY	SEE NOTES	CHKD:	SCALE 1:1
		CLOSE				DR:			SHEET 2/3
									REV. X1

Pin No.	Pin Assignment
P1	MICRO SD DAT2
P2	MICRO SD CD/DAT3
P3	MICRO SD CMD
P4	MICRO SD VDD1
P5	MICRO SD CLK
P6	MICRO SD VSS
P7	MICRO SD DAT0/RCLK
P8	MICRO SD DAT1/RCLK
P9	MICRO SD CD
P10	GND
P11	GND
P12	GND
P13	GND
P14	GND
P15	MICRO SD VDD2
P16	MICRO SD SWIO
P17	MICRO SD VSS
P18	MICRO SD DO+
P19	MICRO SD DO-
P20	MICRO SD VSS
P21	MICRO SD DI-
P22	MICRO SD DI+
P23	MICRO SD VSS

X-ON Electronics

Largest Supplier of Electrical and Electronic Components

Click to view similar products for [Memory Card Connectors](#) category:

Click to view products by [MINTRON](#) manufacturer:

Other Similar products are found below :

[6407-249V-25273P](#) [6407-249V-25343P](#) [6426-201-21343](#) [69.920.0553.0](#) [MCR60A-98D-2.54DSA\(70\)](#) [809180410000000](#) [DM3AT-SF-PEJM5\(41\)](#) [IC11S-BUR-PNEJL\(71\)](#) [C70210M0083692](#) [2041353-2](#) [308-DS1P0811-192](#) [HM2P09PDR360N9LF](#) [10014744-011TLF](#) [11327-001](#) [11327-002](#) [NX1-32T-KT3K\(05\)](#) [95622-003LF](#) [84648-056HLF](#) [CCM03-3109 B LFT](#) [MS3116J10-6PW](#) [2309923-1](#) [61126-050CAHLF](#) [GTFP08432B1HR](#) [G85D1160022HHR](#) [SCE2MSDZN76A121SN](#) [10014744-011ALF](#) [10014744-011LF](#) [10057542-1211FLF](#) [10067972-000LF](#) [10067972-050LF](#) [10122302-20110LF](#) [G85D1162022HHR](#) [TF-05A](#) [M6014-12](#) [XKNANO-1412](#) [SMN-304-ARP6](#) [MIS11-S1F1-2000-A](#) [SMN-308-ARSP7](#) [MCS-302S-KT1B](#) [SMN-308-ACSP7](#) [K-DYX-008](#) [K-DYX-004](#) [C7024-03](#) [SMO-1030](#) [MCS-110-KT](#) [SIM-217](#) [SNO-1355-KT](#) [SMO-1025-P10](#) [SIM-211S-P6](#) [SNO-1440](#)