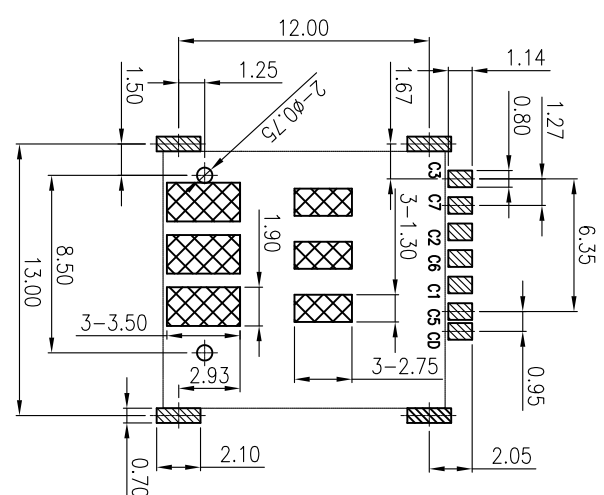
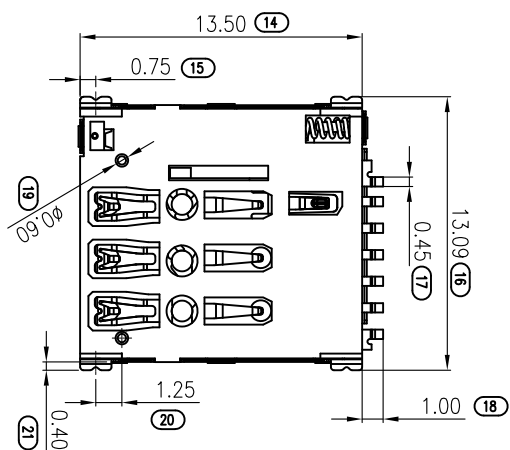
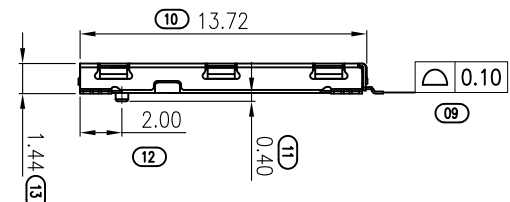
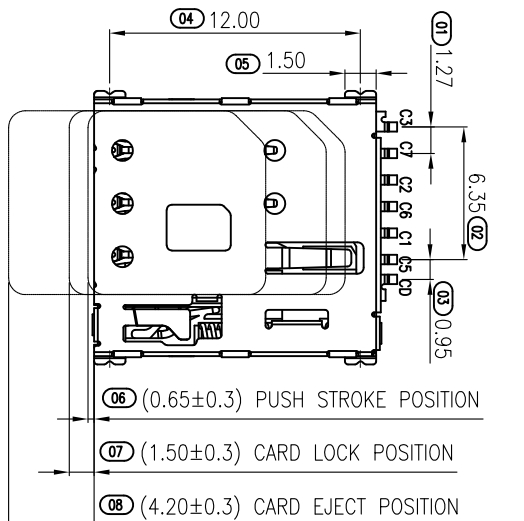
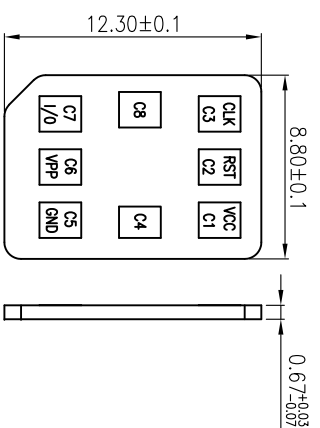
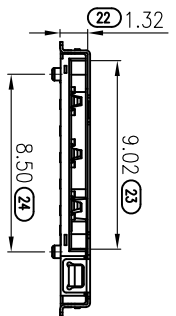


ROHS

REV.	EC#	DESCRIPTION	DATE	DRAWING	CHECKED	APPROVED
A0		新版发行	2021.09.17	MO	TEDDY	SUNNILEY



RECOMMENDED PCB LAYOUT
GENERAL TOLERANCE ±0.05

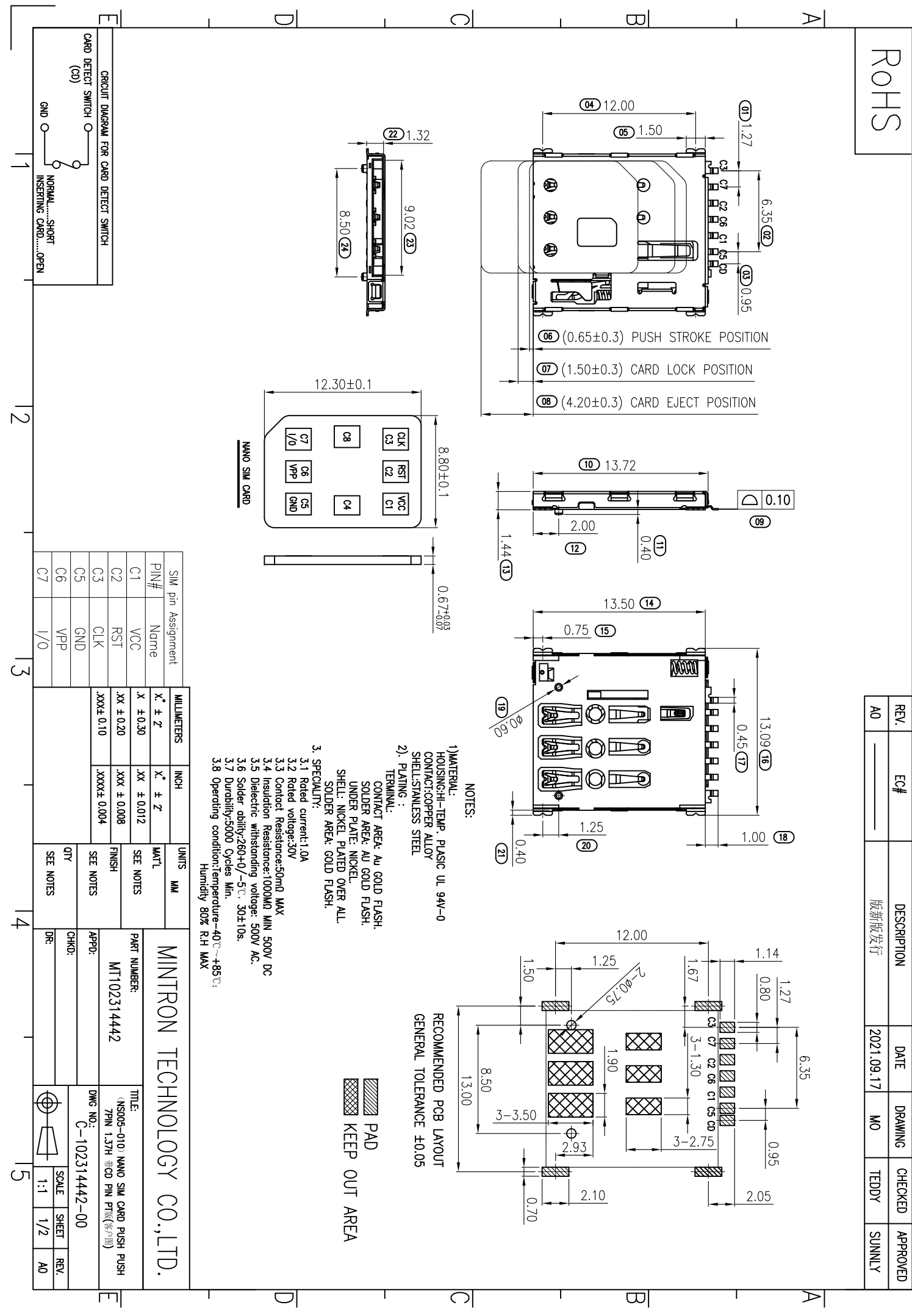
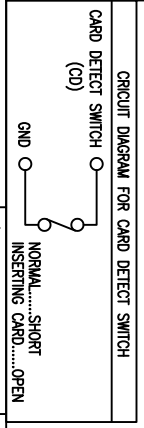


- NOTES:
- 1) MATERIAL:
HOUSING: HI-TEMP. PLASTIC UL 94V-0
CONTACT: COPPER ALLOY
SHELL: STAINLESS STEEL
 - 2) PLATING :
TERMINAL:
CONTACT AREA: AU GOLD FLASH;
SOLDER AREA: AU GOLD FLASH;
UNDER PLATE: NICKEL;
SHELL: NICKEL PLATED OVER ALL.
SOLDER AREA: GOLD FLASH.
 3. SPECIALTY:
3.1 Rated current: 1.0A
3.2 Rated voltage: 30V
3.3 Contact Resistance: 50mΩ MAX
3.4 Insulation Resistance: 1000MΩ MIN 500V DC
3.5 Dielectric withstanding voltage: 500V AC.
3.6 Solder ability: 260±0/-5°C, 50±10s.
3.7 Durability: 5000 Cycles Min.
3.8 Operating condition: Temperature: -40°C~+85°C;
Humidity 80% RH MAX



MINTRON TECHNOLOGY CO., LTD.

SIM pin Assignment	PIN#	Name	MILLIMETERS	INCH	UNITS	MM
	C1	VCC	X ± 0.30	X ± 0.012	MAT'L	SEE NOTES
	C2	RST	XX ± 0.20	XXX ± 0.008	FINISH	SEE NOTES
	C3	CLK	.XXX ± 0.10	.XXXX ± 0.004	APPD:	CHKD:
	C5	GND			QTY	SEE NOTES
	C6	VPP			DRE:	
	C7	I/O				



X-ON Electronics

Largest Supplier of Electrical and Electronic Components

Click to view similar products for [Memory Card Connectors](#) category:

Click to view products by [MINTRON](#) manufacturer:

Other Similar products are found below :

[M21-033321-005](#) [6407-249V-25273P](#) [6407-249V-25343P](#) [6426-201-21343](#) [69.920.0553.0](#) [MCR60A-98D-2.54DSA\(70\)](#) [809180410000000](#)
[DM3AT-SF-PEJM5\(41\)](#) [IC11S-BUR-PNEJL\(71\)](#) [252-0144-000](#) [2041353-2](#) [308-DS1P0811-192](#) [HM2P09PDR360N9LF](#) [10014744-011TLF](#)
[11327-001](#) [11327-002](#) [617230001](#) [NX1-32T-KT3K\(05\)](#) [N7E50-U516RB-50-SIN0005](#) [68-580163-21S](#) [125A-78C00](#) [CCM03-3109 B LFT](#)
[2309923-1](#) [61126-050CAHLF](#) [IC1GA-68PD-1.27DS-EJ\(72\)](#) [GTFP08432B1HR](#) [SCE2MSDZN76A121SN](#) [10014744-011ALF](#) [10014744-](#)
[011LF](#) [10057542-1211FLF](#) [10067972-000LF](#) [10067972-050LF](#) [10122302-20110LF](#) [G85D1162022HHR](#) [MUP-C7809-1](#) [NANO SIM 7P](#)
[H1.37](#) [MICRO SIM 7P H1.35](#) [TF-CARD H1.8 SY](#) [MICRO SIM 6P H1.35](#) [TF-CARD H1.8](#) [TF-115Y-BCP9](#) [TF-115YY-ACP9](#) [SMN-309-](#)
[ARP6](#) [TF-115Y-ACP9](#) [TF-108-ARP10](#) [SMN-303S-ACP7](#) [SNO-14100](#) [SD-112S](#) [MUP-C7804-1](#) [KH-TF-07DT](#)