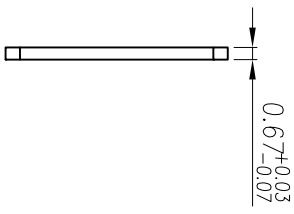
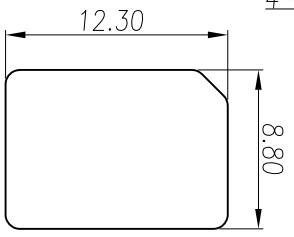
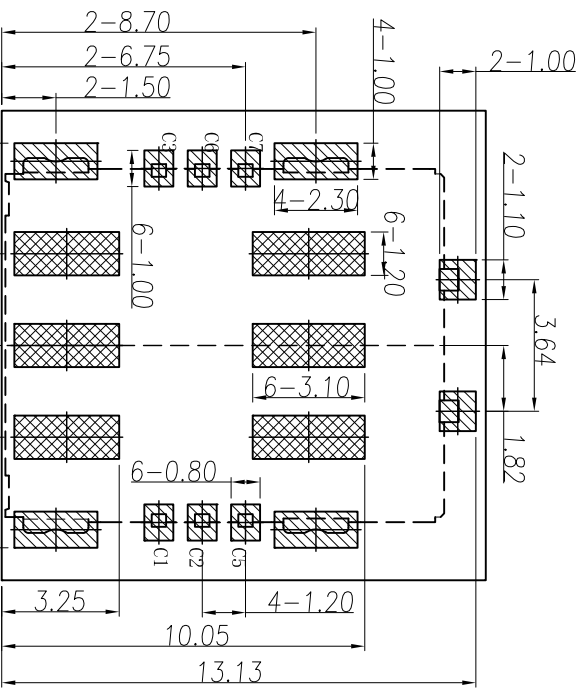
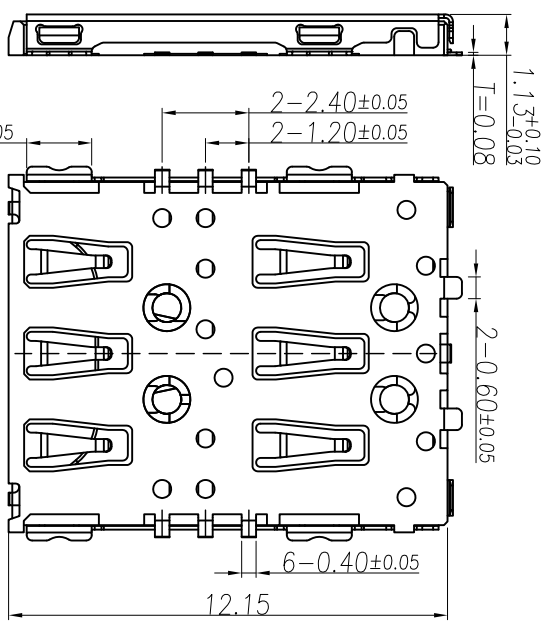
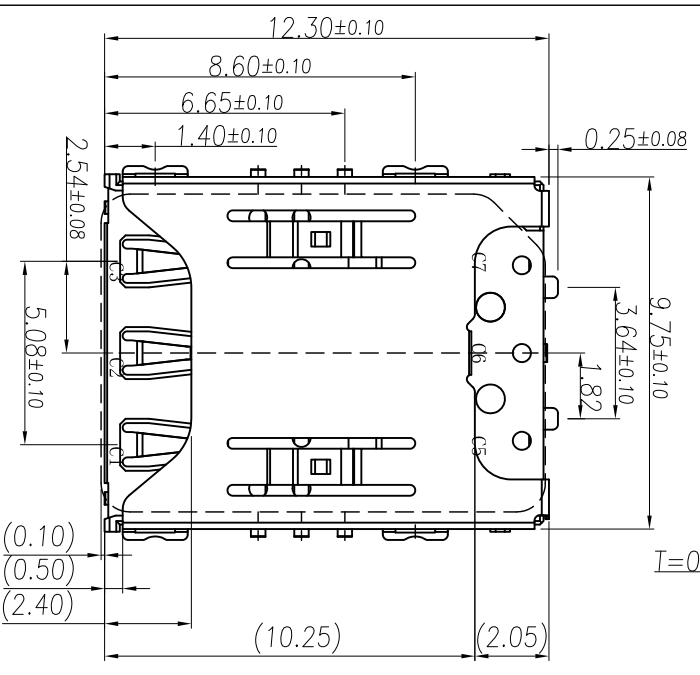
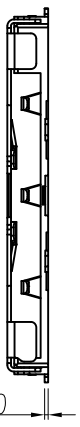


ROHS



- SMT SOLDER AREA
- COPPER RESTRICTED AREA
- 1. TOUCH AREA OF CONTACT
- TIPS NO ELECTRICAL FUNCTION
- 2. NO FIRST PCB LAYOUT
- CIRCUITS IN THE AREA

TOLERANCE: ± 0.05

RECOMMENDED PCB LAYOUT

MINTRON TECHNOLOG CO.,LTD.

- NOTES:
1. MATERIAL:
 - HOUSING: High Temperature Thermoplastic
 - Terminal: Copper Alloy
 - Shell: Stainless Steel
 2. PLATING:
 - Terminal: 30μ Ni UNDERPLATED OVERALL
 - C/F PLATED ON CONTACT AREA
 - 100μ TIN PLATED ON SOLDER AREA
 - Shell: 50μ Ni UNDERPLATED OVERALL
 - C/F PLATED ON CONTACT AREA AND SOLDER AREA
 3. TECHNICAL SPECIALITY:
 - RATED VOLTAGE: 30V AC MAX.
 - CURRENT RATING: 0.5A MAX.
 - INSULATION RESISTANCE: 1000M Ω MIN
 - CONTACT RESISTANCE: 100m Ω MAX
 - WITHSTANDING VOLTAGE: 500V AC FOR 1 MINUTES
 - OPERATING TEMPERATURE: -20°C ~ +85°C Humidity: 80%RH MAX

MILLIMETERS		INCH	
X° ±2°	X° ±2°	.X	±0.012
.XX ±0.20	.XX ±0.008	.XX	±0.008
.XXX ±0.10	.XXX ±0.004	.XXX	±0.004

TITLE	1. 13H NO-PUSH NANO-SHM CARD	DR
PART NO.	MT102315212	CHKD
PRO J.	PAGE 1/2	UNITS mm
SIZE	A4	SCALE 1:1
DIS NO.	NS008-000	客户图

X-ON Electronics

Largest Supplier of Electrical and Electronic Components

Click to view similar products for [Memory Card Connectors](#) category:

Click to view products by [MINTRON](#) manufacturer:

Other Similar products are found below :

[6407-249V-25273P](#) [6407-249V-25343P](#) [6426-201-21343](#) [69.920.0553.0](#) [MCR60A-98D-2.54DSA\(70\)](#) [809180410000000](#) [DM3AT-SF-PEJM5\(41\)](#) [IC11S-BUR-PNEJL\(71\)](#) [C70210M0083692](#) [2041353-2](#) [308-DS1P0811-192](#) [HM2P09PDR360N9LF](#) [10014744-011TLF](#) [11327-001](#) [11327-002](#) [NX1-32T-KT3K\(05\)](#) [95622-003LF](#) [84648-056HLF](#) [CCM03-3109 B LFT](#) [MS3116J10-6PW](#) [2309923-1](#) [61126-050CAHLF](#) [GTFP08432B1HR](#) [G85D1160022HHR](#) [SCE2MSDZN76A121SN](#) [10014744-011ALF](#) [10014744-011LF](#) [10057542-1211FLF](#) [10067972-000LF](#) [10067972-050LF](#) [10122302-20110LF](#) [G85D1162022HHR](#) [TF-05A](#) [M6014-12](#) [XKNANO-1412](#) [SMN-304-ARP6](#) [MIS11-S1F1-2000-A](#) [SMN-308-ARSP7](#) [MCS-302S-KT1B](#) [SMN-308-ACSP7](#) [K-DYX-008](#) [K-DYX-004](#) [HYCW126-TF18-150B](#) [C7024-03](#) [SMO-1030](#) [MCS-110-KT](#) [SIM-217](#) [SNO-1355-KT](#) [SMO-1025-P10](#) [SIM-211S-P6](#)